

PARTS LIST
Universal

MARINE DIESEL ENGINE

M-25XPB

M-35B

M-40B

PUBLICATION NO. 201021

2ND Edition

APRIL 2013



**WESTERBEKE CORPORATION MYLES STANDISH INDUSTRIAL PARK
150 JOHN HANCOCK ROAD TAUNTON, MA 02780-7319 U.S.A.
WEBSITE: WWW.WESTERBEKE.COM**

***NMMA* Member National Marine Manufacturers Association**

IMPORTANT
Product Software Disclaimer

Product software of all kinds, such as brochures, drawing, technical data, operator's and workshop manuals, parts lists and parts price lists, and other information, instructions and specifications provided from sources other than Westerbeke, is not within Westerbeke's control and; accordingly, is provided to Westerbeke customers only as a courtesy and service. Westerbeke cannot be responsible for the content of such software, makes no warranties or representations with respect thereto, including the accuracy, timeliness or completeness thereof, and will in no event be liable for any type of damages or injury incurred in connection with, or arising out of, the furnishing or use of such software.

For example, components and subassemblies incorporated in Westerbeke's products and supplied by others (such as engine blocks, fuel systems and components, transmissions, electrical components, pumps and other products) are generally supported by their manufacturers with their own software, and Westerbeke must depend on such software for the design of Westerbeke's own product software. Such software may be outdated and no longer accurate. Routine changes made by Westerbeke's suppliers, of which Westerbeke rarely has notice in advance, are frequently not reflected in the supplier's software until after such changes take place.

Westerbeke customers should also keep in mind the time span between printings of Westerbeke product software and the unavoidable existence of earlier, non-current, Westerbeke software editions in the field. Additionally, most Westerbeke products include customer-requested special features that frequently do not include complete documentation.

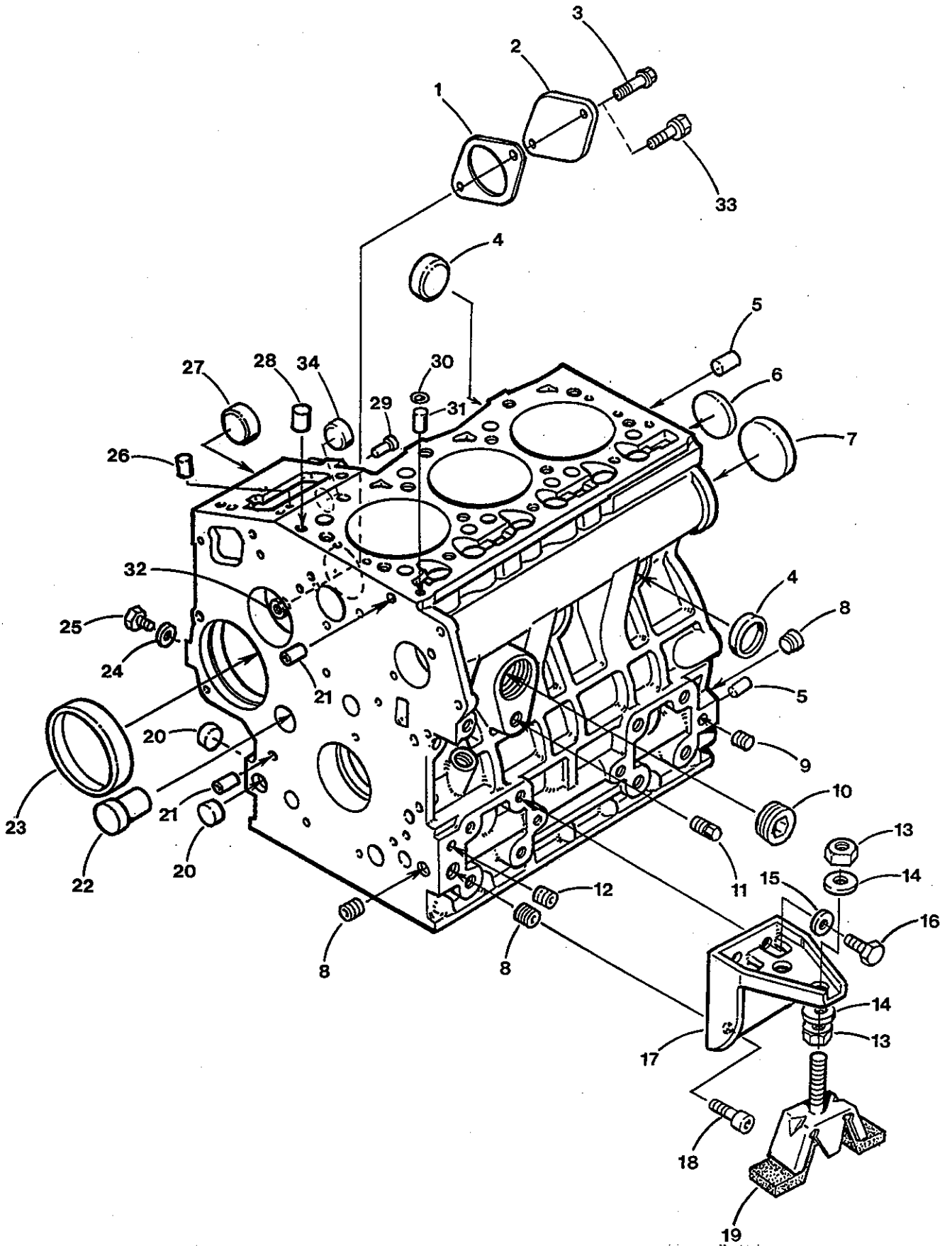
In summation, product software provided with Westerbeke products, whether from Westerbeke or other suppliers, must not and cannot be relied upon exclusively as the definitive authority on the respective product. It not only makes good sense but is imperative that appropriate representatives of Westerbeke or the supplier in question be consulted to determine the accuracy and currency of the product software being consulted by the customer.

Table of Contents
M-25XPB M-35B M-40B UNIVERSAL DIESEL ENGINES -13 SERIES

Model Model Type KW Fuel Frequency
M-25XPB Propulsion Diesel
M-35B Propulsion Diesel
M-40B Propulsion Diesel

Page	Description
1	CYLINDER BLOCK ASSEMBLY - M-25XPB
3	CYLINDER BLOCK ASSEMBLY - M-35B / M-40B
5	OIL PAN ASSEMBLY, OIL PRESSURE SWITCH - M-25XPB
7	OIL PAN ASSEMBLY, OIL PRESSURE SWITCH - M-35B / M-40B
9	CYLINDER HEAD ASSEMBLY - M-25XPB
11	CYLINDER HEAD ASSEMBLY - M-35B / M-40B
13	GEAR CASE ASSEMBLY - M-25XPB / M-35B / M-40B
15	PISTONS, CRANKSHAFT AND MAIN BEARINGS - M-25XPB
17	PISTONS, CRANKSHAFT AND MAIN BEARINGS - M-35B / M-40B
19	PISTONS, CRANKSHAFT AND MAIN BEARINGS - M-35131 M-40B
21	VALVE HEAD COVER AND AIR INTAKE MANIFOLD - M-25XPB
23	VALVE HEAD COVER AND AIR INTAKE MANIFOLD - M-3513 / M-40B
25	EXHAUST MANIFOLD AND HEAT EXCHANGER - M-25XPB/ M-35B/ M-40B
27	FUEL FILTER, NOZZLE HOLDERS AND INJECTORS - M-25XPB
29	FUEL FILTER, NOZZLE HOLDERS AND INJECTORS - M-35B / M-40B
31	FUEL CAMSHAFT AND GOVERNOR SHAFT - M-25XPB
33	FUEL CAMSHAFT AND GOVERNOR SHAFT - M-35B / M-40B
35	VALVES, ROCKER ARMS AND CAMSHAFTS - M-25XPB
37	VALVES, ROCKER ARMS AND CAMSHAFTS - M-35B / M-40B
39	THROTTLE AND GOVERNOR ASSEMBLIES
41	THROTTLE AND GOVERNOR ASSEMBLIES
43	FUEL LIFT PUMP, SOLENOID AND FUEL RETURN
45	FRESH WATER COOLING SYSTEM
47	FRESH WATER COOLING SYSTEM
49	RAW WATER PUMP
51	BELL HOUSING AND TRANSMISSION
53	BELL HOUSING AND TRANSMISSION
55	MODEL HBW VERTICAL SHIFTING BRACKET
57	ALTERNATOR ASSEMBLY
59	ELECTRICAL SYSTEM
61	PROPULSION INSTRUMENT PANELS
63	NOTES
64	MISCELLANEOUS
65	NUMERICAL INDEX

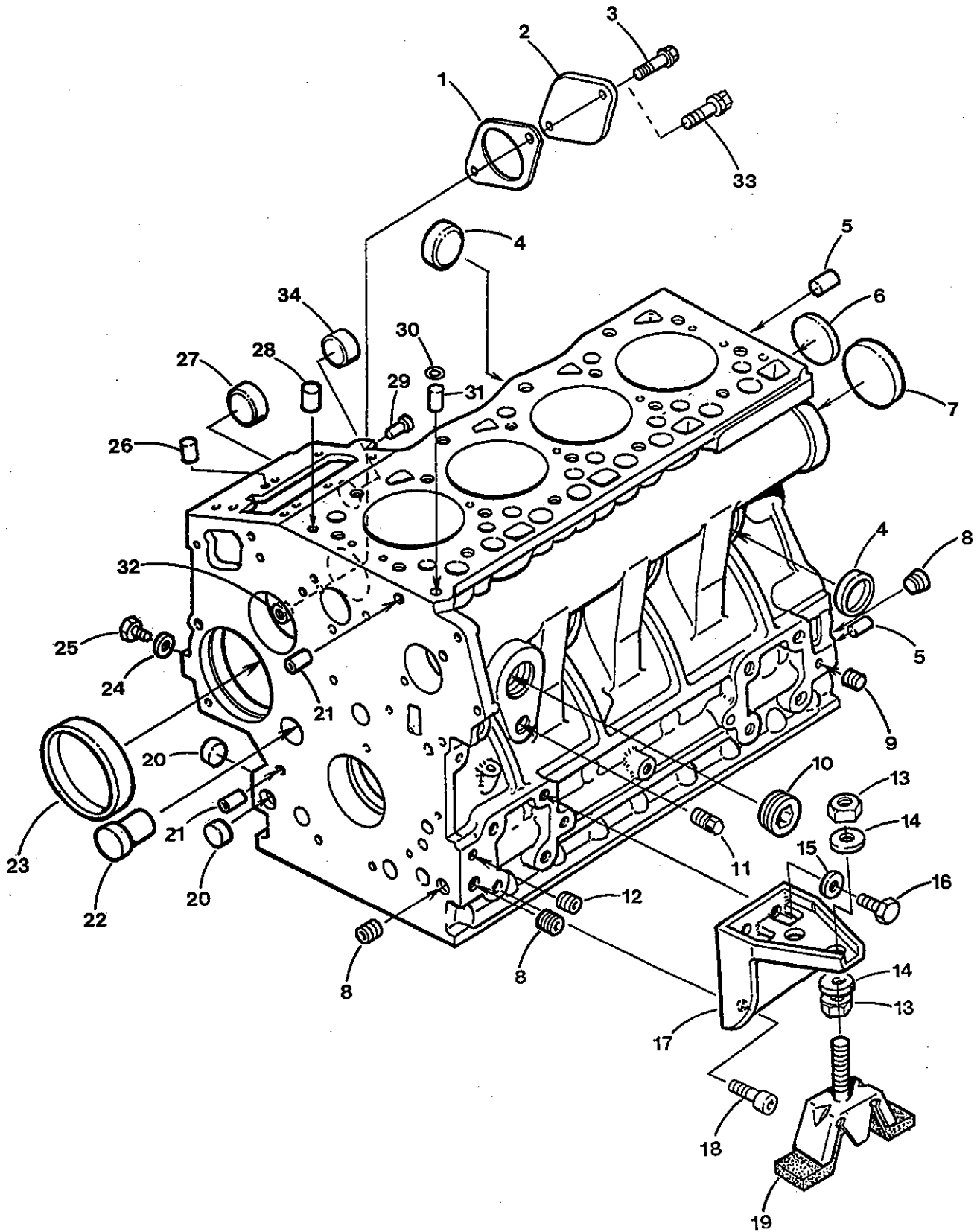
CYLINDER BLOCK ASSEMBLY - M-25XPB



CYLINDER BLOCK ASSEMBLY - M-25XPB

Reference #	Part #	Part Name	Remarks	Quantity
1	200916	GASKET	PUMP COVER	1
2	200905	COVER	PUMP	1
3-1	017196	CAPSCREW	M 8 X 20 DIN 933	1
3-2	031786	LOCKWASHER	M 8 DIN 127	1
4	301201	PLUG	EXPANSION	4
5	299360	DOWEL		2
6	299355	PLUG	EXPANSION	1
7	200896	PLUG	EXPANSION	1
8	200835	PLUG		3
9	302589	PLUG		3
10	200956	PLUG		1
11	013341	PLUG	1/4 NPT HEX HEAD (BRASS)	1
12	302587	PLUG		2
13	040966	NUT	JAM M 16, SELF-LOCKING	2
14	031828	WASHER	FLAT, 5/8 SAE (STEEL)	2
15	019262	LOCKWASHER	M 10 DIN 127	4
16	024951	CAPSCREW	M 10X 1.25 X 20 DIN 961	4
17	200435	MOUNT	FRONT	2
18	200442	CAPSCREW	M 10 X1.25 X 20 DIN 7991	4
19	040510	ISOLATOR	MARINE 75-130 LB.	2
20	200978	PLUG	EXPANSION	3
21	300716	DOWEL	TUBULAR	2
22	200906	PLUG		1
23	200885	BUSHING	GOVERNOR GEAR	1
24	298659	GASKET		1
25	298658	PLUG		1
26	301543	DOWEL		2
27	200837	PLUG		1
28	200636	DOWEL		2
29	200854	PIN	START SPRING	1
30	299362	O-RING		1
31	200797	DOWEL	TUBULAR	1
32	301297	NUT	M 8 SELF-LOCKING	1
33	301729	CAPSCREW	M 8 X 32 JIS 7 W/LW	1
34	200641	PLUG	EXPANSION	1
35	200456	BLOCK	ASSEMBLY INCL. HEAD - M-25XPB	1

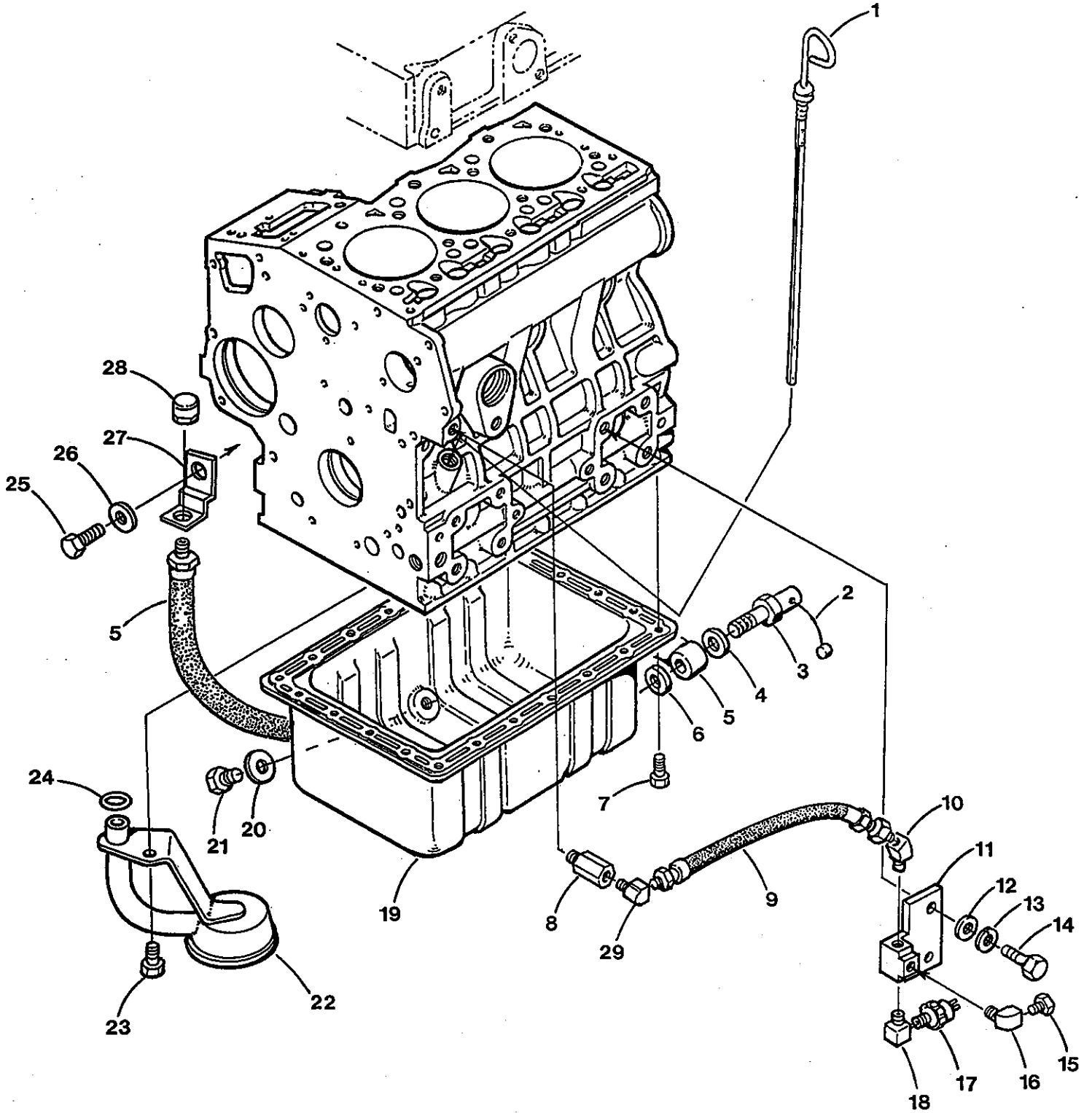
CYLINDER BLOCK ASSEMBLY - M-35B / M-40B



CYLINDER BLOCK ASSEMBLY - M-35 / M-40

Reference #	Part #	Part Name	Remarks	Quantity
1	200916	GASKET	PUMP COVER	1
2	200905	COVER	PUMP	1
3-1	017196	CAPSCREW	M 8 X 20 DIN 933	2
3-2	031786	LOCKWASHER	M 8 DIN 127	2
4	301201	PLUG	EXPANSION	6
5	200725	DOWEL		2
8	299355	PLUG	EXPANSION	1
7	200896	PLUG	EXPANSION	1
8	200835	PLUG		3
9	302589	PLUG		4
10	200956	PLUG		1
11	013341	PLUG	1/4 NPT HEX HEAD (BRASS)	1
12	302587	PLUG		2
13	040966	NUT	JAM M 16, SELF-LOCKING	2
14	031828	WASHER	FLAT, 5/8 SAE (STEEL)	2
15	019262	LOCKWASHER	M 10 DIN 127	4
16	024951	CAPSCREW	M 10 X 1.25X 20 DIN 961	4
17	200435	MOUNT	FRONT	2
18	200442	CAPSCREW	M 10 X 1.25 X20 DIN 7991	4
19	040510	ISOLATOR	MARINE 75-130 LB.	2
20	200978	PLUG	EXPANSION	3
21	300716	DOWEL	TUBULAR	2
22	200906	PLUG		1
23	200885	BUSHING	GOVERNOR GEAR	1
24	298659	GASKET		1
25	298658	PLUG		1
26	200729	DOWEL		2
27	200837	PLUG		1
28	200724	DOWEL		2
29	200722	PIN	START SPRING	1
30	299362	O-RING		1
31	200797	DOWEL	TUBULAR	1
32	301297	NUT	M 8 SELF-LOCKING	1
33	301729	CAPSCREW	M 8X 32 JIS 7 W/LW	1
34	200641	PLUG	EXPANSION	1
35-1	200457	BLOCK	ASSEMBLY INCL. HEAD - M-35B	1
35-2	201028	BLOCK	ASSEMBLY INCL. HEAD M-40B	1

OIL PAN ASSEMBLY, OIL PRESSURE SWITCH - M-25XPB

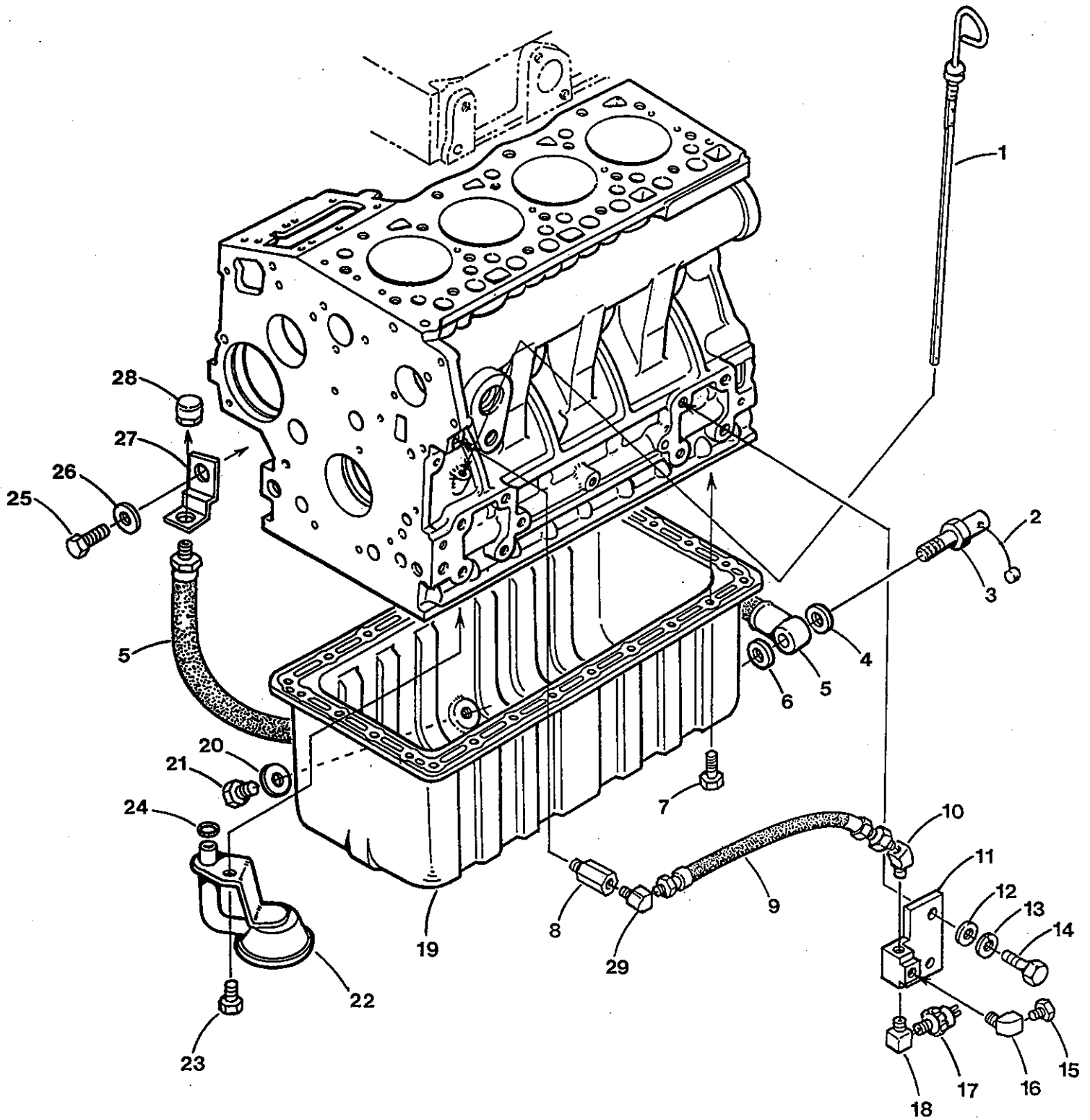


OIL PAN ASSEMBLY, OIL PRESSURE SWITCH - M-25XPB

Reference #	Part #	Part Name	Remarks	Quantity
1	200901	DIPSTICK		1
2	037393	SEAL	LEAD WIRE	1
3	036823	BOLT	BANJO-SUMP M 12 X 1.25	1
4	036493	WASHER		1
5	030848	HOSE	SUMP DRAIN 24 INCH	1
6	036647	WASHER		1
7	035785	CAPSCREW	M6 X 12 JIS 6 W/LW	22
8	024844	ADAPTER	1/8 BSPT TO 1/8 NPT	1
9	039385	HOSE	OIL	1
10	015122	ELBOW	1/8NPT TO 45 DEG STREET (STEEL)	1
11	032480	BRACKET	OIL PRESSURE SENDER	1
12	031789	WASHER	M 10 DIN 125	1
13	019262	LOCKWASHER	M 10 DIN 127	2
14	024951	CAPSCREW	M 10X 1.25 X 20 DIN 961	2
15	019369	PLUG	HEX HEAD, 1/8 NPT (BRASS)	1
16	015122	ELBOW	1/8NPT TO 45 DEG STREET (STEEL)	1
17	037323	SWITCH	OIL PRESSURE, NO. 5	1
18	013340	ELBOW	1/8 NPT 90 DEG STREET (BRASS)	1
19	201003	SUMP	OIL	1
20	299371	GASKET	DRAIN PLUG	1
21	298660	PLUG	DRAIN	1
22	201041	STRAINER	OIL PICK-UP	1
23-1	016789	CAPSCREW	M 8 X 16 DIN 933	1
23-2	031786	LOCKWASHER	M 8 DIN 127	1
24	299967	O-RING		1
25-1	035789	CAPSCREW	M 6 X 45 J1S6 W/LW	1
25-2	013629	CAPSCREW	M 10 X 25 DIN 933 - V-DRIVE OPTION	1
26	031753	WASHER	FLAT, 1/4" SAE (STEEL)	1
27	024922	BRACKET	SUMP DRAIN HOSE	1
28	024905	CAP	1/4 NPT (BRASS)	1
29	013340	ELBOW	1/8 NPT 90 DEG STREET (BRASS)	1

Note: Use a good quality RTV Sealant for oil pan to block gasket.

OIL PAN ASSEMBLY, OIL PRESSURE SWITCH - M-35B / M-40B

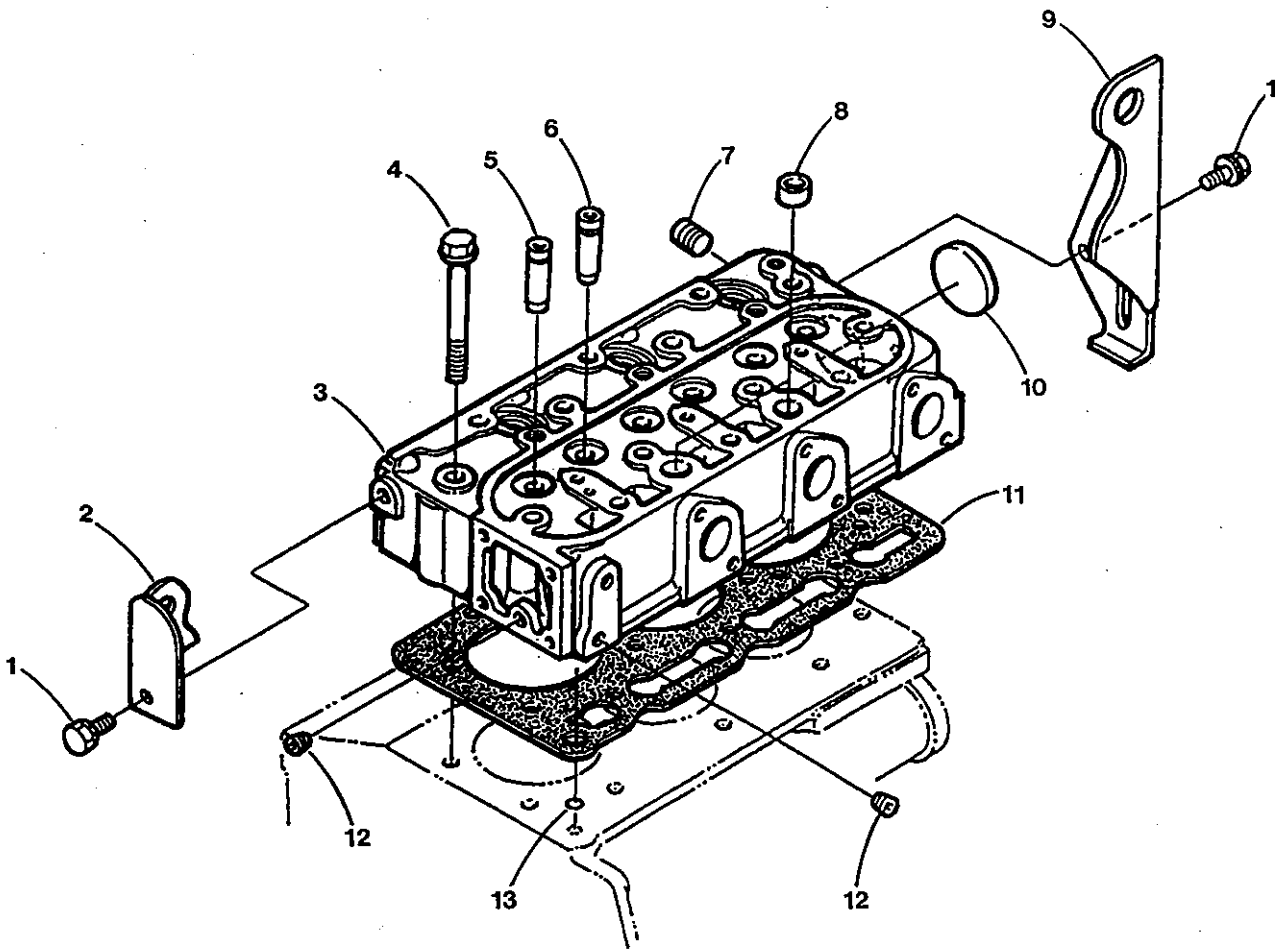


OIL PAN ASSEMBLY, OIL PRESSURE SWITCH - M-35B M-40B

Reference #	Part #	Part Name	Remarks	Quantity
1	200728	DIPSTICK		1
2	037393	SEAL	LEAD WIRE	1
3	036823	BOLT	BANJO-SUMP M 12 X 1.25	1
4	036493	WASHER	1.00 OD X 0.708 ID	1
5	030848	HOSE	SUMP DRAIN 24 INCH	1
6	036647	WASHER	1.00 OD X 0.473 ID	1
7	035785	CAPSCREW	M 6 X 12 J1S 6 W/LW	26
8	024844	ADAPTER	1/8 BSPT TO 1/8 NPT	1
9	039385	HOSE	OIL	1
10	015122	ELBOW	1/8NPT TO 45 DEG STREET (STEEL)	1
11	032480	BRACKET	OIL PRESSURE SENDER	1
12	031789	WASHER	M 10 DIN 125	2
13	019262	LOCKWASHER	M 10 DIN 127	2
14	024951	CAPSCREW	M 10 X 1.25 X 20 DIN 961	2
15	019369	PLUG	HEX HEAD, 1/8 NPT (BRASS)	1
16	015122	ELBOW	1/8NPT TO 45 DEG STREET (STEEL)	1
17	037323	SWITCH	OIL PRESSURE, NO. 5	1
18	013340	ELBOW	1/8 NPT 90 DEG STREET (BRASS)	1
19	201004	SUMP	OIL	1
20	201008	GASKET	SUMP	1
21	298660	PLUG	DRAIN	1
22	200900	STRAINER	OIL PICK-UP	1
23-1	016789	CAPSCREW	M 8 X 16 DIN 933	1
23-2	031786	LOCKWASHER	M8 DIN 127	1
24	200632	O-RING		1
25-1	035789	CAPSCREW	M 6 X 45 J1S 6 W/LW	1
25-2	013629	CAPSCREW	M 10 X 25 DIN 933 - V-DRIVE OPTION	1
26	031753	WASHER	FLAT, 1/4" SAE (STEEL)	1
27	024922	BRACKET	SUMP DRAIN HOSE	1
28	024905	CAP	1/4 NPT (BRASS)	1
29	013340	ELBOW	1/8 NPT 90 DEG STREET (BRASS)	1

Note: Use a good quality RTV Sealant for oil pan to block gasket.

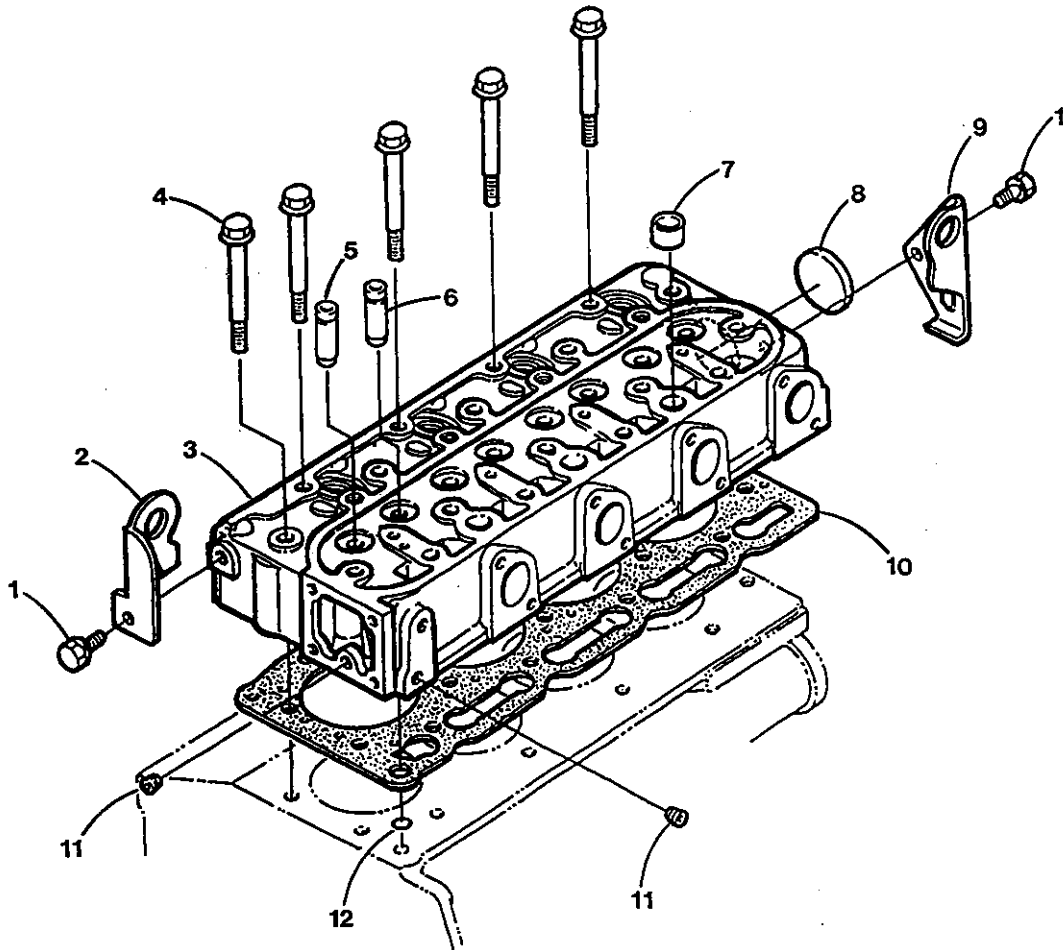
CYLINDER HEAD ASSEMBLY - M-25XPB



CYLINDER HEAD ASSEMBLY - M-25XPB

Reference #	Part #	Part Name	Remarks	Quantity
1-1	016789	CAPSCREW	M 8 X 16 DIN 933	2
1-2	031786	LOCKWASHER	M 8 DIN 127	2
2	301549	EYE	LIFTING	1
3	200697	HEAD	CYLINDER	1
4	200735	BOLT	CYLINDER HEAD	14
6	200753	GUIDE	INTAKE VALVE	3
6	200754	GUIDE	EXHAUST VALVE	3
7	301550	PLUG		1
8	302690	PLUG	EXPANSION	2
9	200734	EYE	LIFTING	1
10	299906	PLUG	EXPANSION 30MM DIN 443 BRASS	1
11	200731	GASKET	CYLINDER HEAD	1
12	302593	PLUG		2
13	299362	O-RING		1

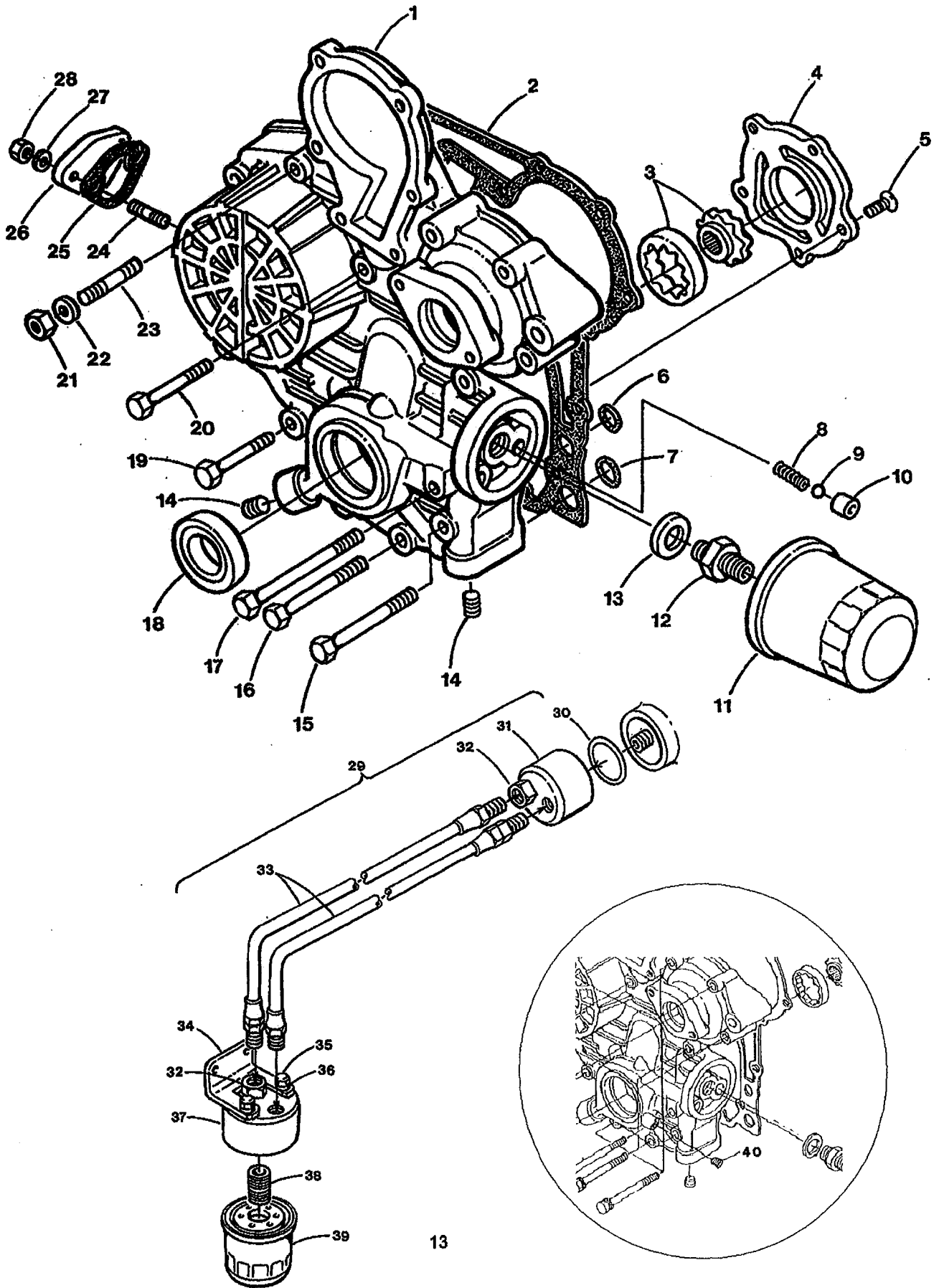
CYLINDER HEAD ASSEMBLY - M-35B / M-40B



CYLINDER HEAD ASSEMBLY M-35B M-40B

Reference #	Part #	Part Name	Remarks	Quantity
1-1	016789	CAPSCREW	M 8 X 16 DIN 933 W/LW	2
1-2	031786	LOCKWASHER	M8 DIN 127	2
2	200733	EYE	LIFTING	1
3-1	200709	HEAD	CYLINDER - M-35B, pre date code E412	1
3-2	201128	HEAD	CYLINDER - M-35B, post date code E501	1
3-3	200712	HEAD	CYLINDER - M-40B	1
4	200735	BOLT	CYLINDER HEAD	18
5	200753	GUIDE	INTAKE VALVE	4
6	200754	GUIDE	EXHAUST VALVE	4
7	302690	PLUG	EXPANSION	3
8	299906	PLUG	EXPANSION 30MM DIN 443 BRASS	1
9	200734	EYE	LIFTING	1
10-1	200867	GASKET	CYLINDER HEAD - M-35B	1
10-2	200910	GASKET	CYLINDER HEAD - M-40B	1
11	302593	PLUG		2
12	299362	O-RING		1

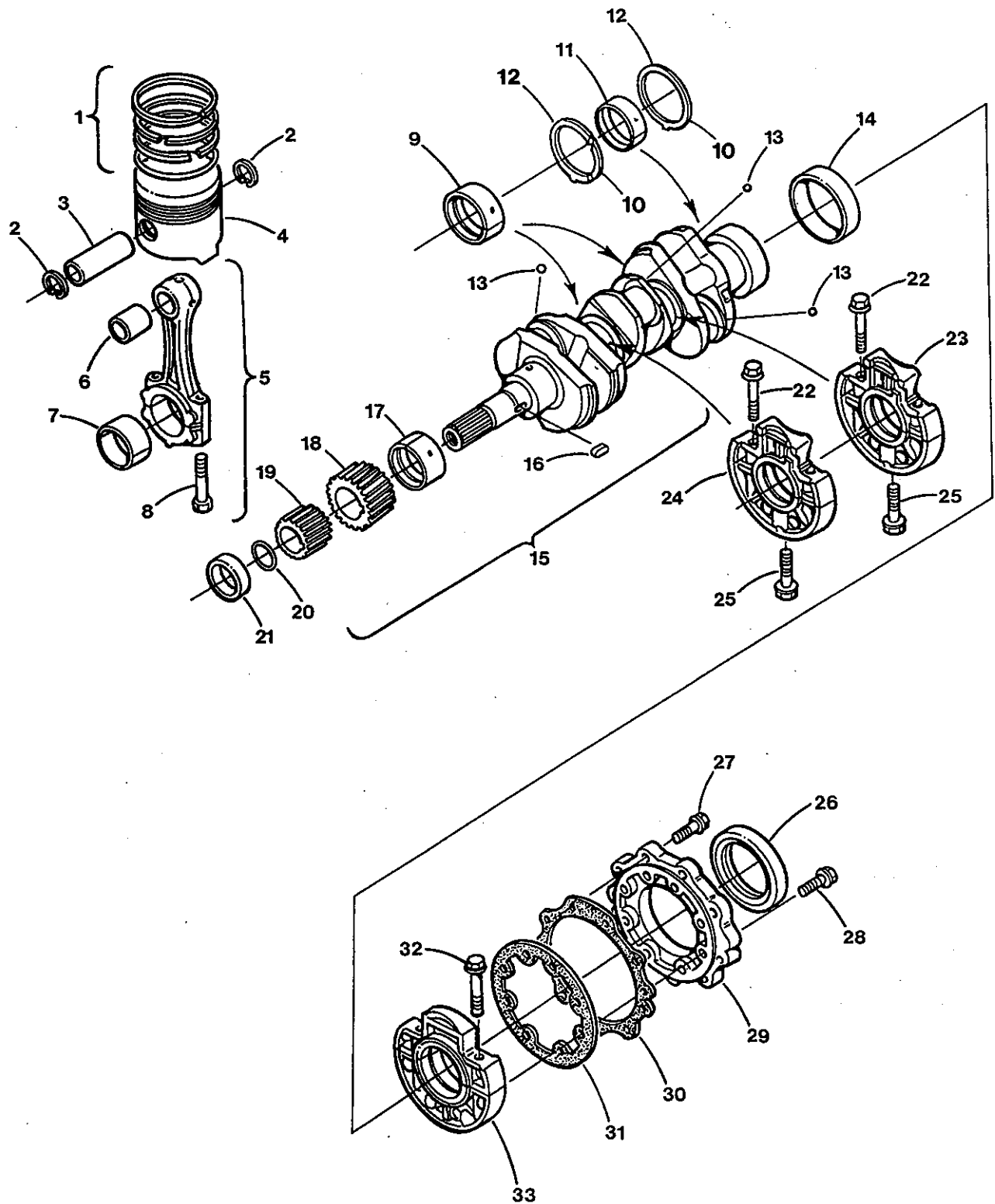
GEAR CASE ASSEMBLY - M-25XPB / M-35B / M-40B



GEAR CASE ASSEMBLY - M-25XPB / M-35B / M-40B

Reference #	Part #	Part Name	Remarks	Quantity
1-1	200868	ASSEMBLY	GEAR CASE, pre date code E412	1
1-2	201108	ASSEMBLY	GEAR CASE, post date code E501	1
2	200858	GASKET	GEAR CASE	1
3	200798	PUMP	OIL	1
4-1	200799	COVER	OIL PUMP, pre date code E412	1
4-2	201106	COVER	OIL PUMP, post Date code E501	1
4-3	201101	PIN	COVER LOCATING, post Date code E501	2
5	200832	SCREW	OIL PUMP COVER	5
6-1	298738	O-RING	M-25XPB	2
6-2	200633	O-RING	M-35B I M-40B	2
7-1	299559	O-RING	M-25XPB	2
7-2	200631	O-RING	M-35B I M-40B	2
8	200802	SPRING	OIL RELIEF VALVE	1
9	200642	BALL		1
10	200801	CAP	OIL RELIEF VALVE	1
11	300209	FILTER	OIL	1
12	301490	ADAPTER	OIL FILTER	1
13	032175	WASHER	FLAT M 18	1
14	200836	PLUG		2
15-1	030146	CAPSCREW	M 6 X 55 DIN 931	2
15-2	031783	LOCKWASHER	M6 DIN 127	2
16-1	300330	CAPSCREW	M 6 X 50 DIN 931	6
16-2	031783	LOCKWASHER	M 6 DIN 127	6
17	200830	BOLT	TIMING CASE	1
18	200737	SEAL	OIL	1
19	200689	BOLT	TIMING CASE	1
20	035789	CAPSCREW	M 6 X 45 J1S 6 W/LW	3
21	015812	NUT	M6DIN 934	1
22	031783	LOCKWASHER	M6 DIN 127	1
23-1	200624	STUD	TIMING CASE - M-25XPB	1
23-2	200838	STUD	TIMING CASE - M-35B / M-40B	1
24-1	301507	STUD	TIMING CASE - M-25XPB	2
24-2	200839	STUD	TIMING CASE- M-35B / M408	2
25	200861	GASKET	FUEL PUMP	1
26	302744	COVER	FUEL PUMP	1
27	031783	LOCKWASHER	M 6 DIN 127	2
28	015812	NUT	M6 DIN 934	2
29	040078	FILTER KIT	REMOTE LUBE OIL - (inc. ref. 30-39)	1
30	302842	O-RING		1
31	040075	ADAPTER	REMOTE OIL FILTER	1
32	013348	CONNECTOR	HOSE	2
33	011925	HOSE	OIL 40-1/4 LG	2
34	040074	BRACKET	REMOTE OIL FILTER	1
35	031503	CAPSCREW	1/4 NC x 3/4	2
36	031752	LOCKWASHER	SPLIT 1/4 MED (STEEL)	2
37	040073	ADAPTER	REMOTE OIL FILTER	1
38	034663	NIPPLE	OIL FILTER TO ADAPTER	1
39	036918	FILTER	LUBE OIL	1
40	302587	PLUG	M35B post E501 date code	1

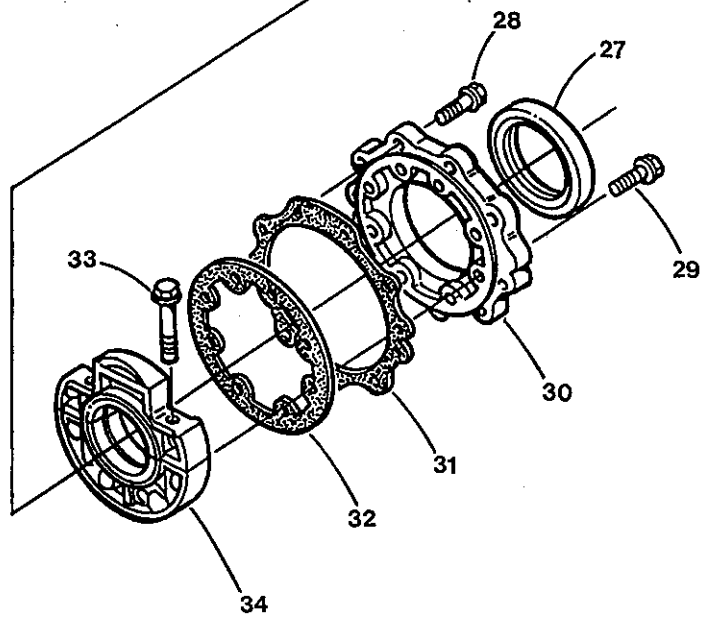
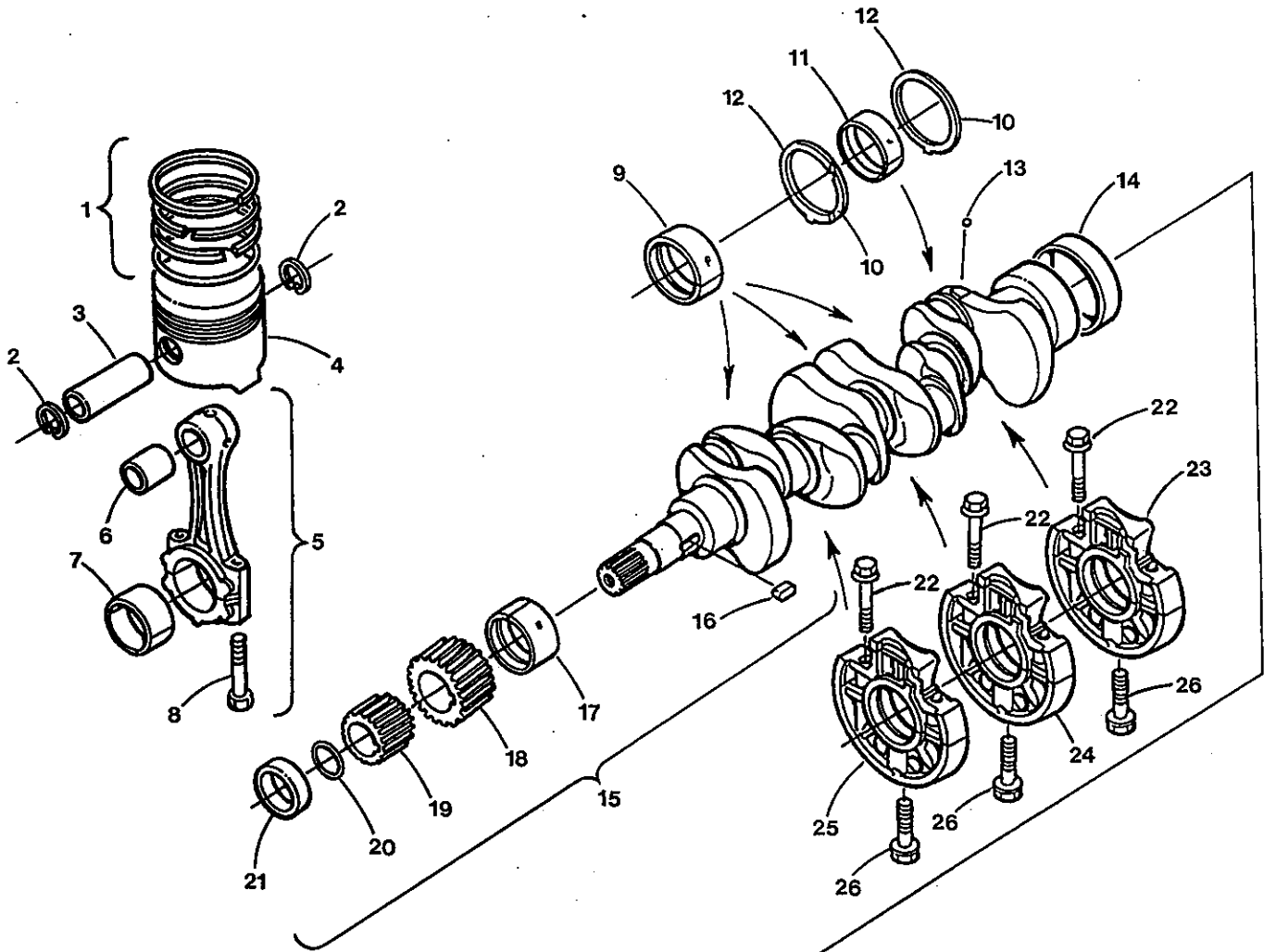
PISTONS, CRANKSHAFT AND MAIN BEARINGS - M-25XPB



PISTONS, CRANKSHAFT AND MAIN BEARINGS - M-25XPB

Reference #	Part #	Part Name	Remarks	Quantity
1-1	200875	RING SET	STD	3
1-2	200876	RING SET	0.5 MM	3
2	200772	RING	RETAINING	6
3	200771	PIN	PISTON	3
4-1	200710	PISTON	STD	3
4-2	200711	PISTON	0.5 MM	3
5	200774	ROD	CONNECTING ASSEMBLY	3
6	200773	BUSHING	CONNECTING ROD	3
7-1	200776	BEARING SET	CONNECTING ROD, STD	3
7-2	200777	BEARING SET	CONNECTING ROD, 0.2MM	3
7-3	200778	BEARING SET	CONNECTING ROD, 0.4MM	3
8	200775	BOLT	CONNECTING ROD	6
9-1	200783	BEARING SET	MAIN STD	2
9-2	200789	BEARING SET	MAIN 0.2MM	2
9-3	200790	BEARING SET	MAIN 0.4MM	2
10-1	301780	THRUSTWASHER	STD	2
10-2	302613	THRUSTWASHER	0.2MM	2
10-3	302542	THRUSTWASHER	0.4MM	2
11-1	200784	BEARING SET	MAIN STD	1
11-2	200785	BEARING SET	MAIN 0.2MM	1
11-3	200786	BEARING SET	MAIN 0.4MM	1
12-1	302612	THRUSTWASHER	STD	2
12-2	200676	THRUSTWASHER	0.2MM	2
12-3	200677	THRUSTWASHER	0.4MM	2
13	302470	BALL	1/4	3
14	200781	BUSHING	CRANKSHAFT	1
15	200732	CRANKSHAFT	ASSEMBLY - INC. REF 13, 14, 16 -19	1
16	200895	KEY	WOODRUFF	1
17-1	200782	BEARING SET	MAIN STD	1
17-2	200787	BEARING SET	MAIN 0.2MM	1
17-3	200788	BEARING SET	MAIN 0.4MM	1
18	200791	GEAR	CRANKSHAFT	1
19	200800	GEAR	OIL PUMP	1
20	200628	O-RING		1
21	200780	COLLAR	CRANKSHAFT	1
22	200739	BOLT	BEARING CASE	4
23	200870	CASE	ASSEMBLY, MAIN BEARING	1
24	200869	CASE	ASSEMBLY, MAIN BEARING	1
25	200740	BOLT	BEARING CASE	2
26	200738	SEAL	OIL	1
27-1	018804	CAPSCREW	M 6 X 20 DIN 933	9
27-2	031783	LOCKWASHER	M 6 DIN 127	9
28-1	020628	CAPSCREW	M 6 X 25 DIN 933	8
28-2	031783	LOCKWASHER	M 6 DIN 127	8
29	200742	COVER	BEARING CASE	1
30	200880	GASKET	BEARING COVER	1
31	200859	GASKET	BEARING CASE	1
32	200739	BOLT	BEARING CASE	2
33	200736	CASE	ASSEMBLY, MAIN BEARING	1

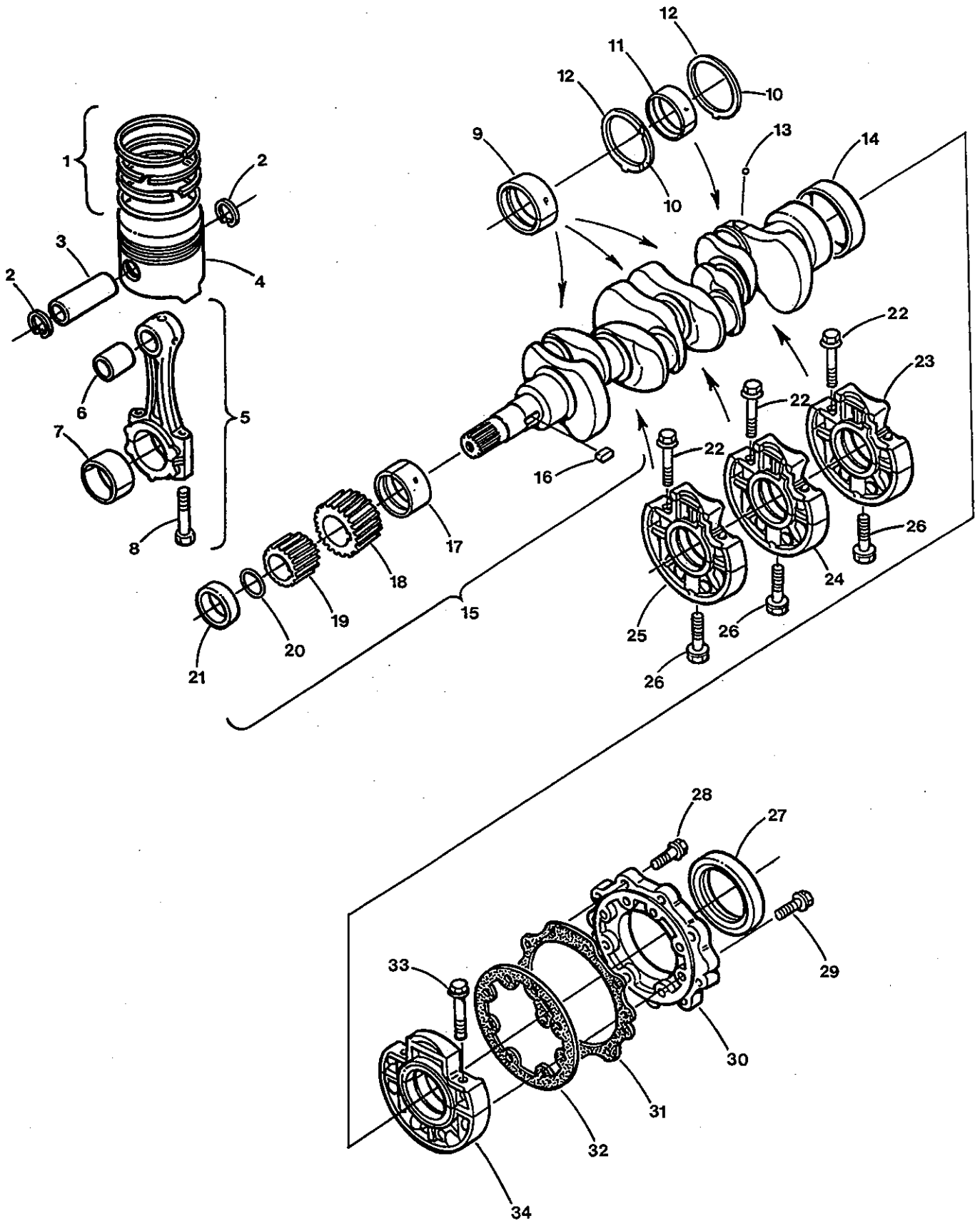
PISTONS, CRANKSHAFT AND MAIN BEARINGS - M-35B / M-40B



PISTONS, CRANKSHAFT AND MAIN BEARINGS - M-35B / M-40B

Reference #	Part #	Part Name	Remarks	Quantity
1-1	200875	RING SET	STD - M-35B	4
1-2	200851	RING SET	STD - M-40B	4
1-3	200876	RING SET	0.5 MM - M-359	4
1-4	200852	RING SET	0.5 MM M-405	4
2	200772	RING	RETAINING	8
3	200771	PIN	PISTON	4
4-1	200710	PISTON	STD - M-35B	4
4-2	200713	PISTON	STD - M-40B	4
4-3	200711	PISTON	0.5 MM - M-35B	4
4-4	200714	PISTON	0.5 MM - M-40B	4
5	200774	ROD	CONNECTING ASSEMBLY	4
6	200773	BUSHING	CONNECTING ROD	4
7-1	200776	BEARING SET	CONNECTING ROD, STD	4
7-2	200777	BEARING SET	CONNECTING ROD, 0.2MM	4
7-3	200778	BEARING SET	CONNECTING ROD, 0.4MM	4
8	200775	BOLT	CONNECTING ROD	8
9-1	200783	BEARING SET	MAIN STD	3
9-2	200789	BEARING SET	MAIN 0.2MM	3
9-3	200790	BEARING SET	MAIN 0.4MM	3
10-1	301780	THRUSTWASHER	STD	2
10-2	302613	THRUSTWASHER	0.2MM	2
10-3	302642	THRUSTWASHER	0.4MM	2
11-1	200911	BEARING SET	MAIN STD	1
11-2	200785	BEARING SET	MAIN 0.2MM	1
11-3	200786	BEARING SET	MAIN 0.4MM	1
12-1	302612	THRUSTWASHER	STD	2
12-2	200676	THRUSTWASHER	0.2MM	2
12-3	200677	THRUSTWASHER	0.4MM	2
13	302470	BALL	1/4	4
14	200781	BUSHING	CRANKSHAFT	1
15-1	200779	CRANKSHAFT	ASSEMBLY- M-35B INCL. REF 13,14,16-19	1
15-2	200899	CRANKSHAFT	ASSEMBLY- M-40B INCL. REF 13,14,16-19	1
16	200895	KEY	WOODRUFF	1
17-1	200782	BEARING SET	MAIN STD	1
17-2	200787	BEARING SET	MAIN 0.2MM	1
17-3	200788	BEARING SET	MAIN 0.4MM	1
18	200791	GEAR	CRANKSHAFT	1
19	200800	GEAR	OIL PUMP	1
20	200634	O-RING		1
21	200780	COLLAR	CRANKSHAFT	1
22	200739	BOLT	BEARING CASE	6
23-1	200671	CASE	ASSEMBLY, MAIN BEARING - M-358	1
23-2	200898	CASE	ASSEMBLY, MAIN BEARING - M-40B	1
24-1	200870	CASE	ASSEMBLY, MAIN BEARING - M-35B	1
24-2	200842	CASE	ASSEMBLY, MAIN BEARING - M-40B	1
25-1	200869	CASE	ASSEMBLY, MAIN BEARING - M-35B	1
25-2	200841	CASE	ASSEMBLY, MAIN BEARING - M-40B	1
26	200740	BOLT	BEARING CASE	3
27	200738	SEAL	OIL	1
28-1	018804	CAPSCREW	M 6 X 20 DIN 933	9
28-2	031783	LOCKWASHER	M 6 DIN 127	9
29-1	020628	CAPSCREW	M 6 X 25 DIN 933	8
29-2	031783	LOCKWASHER	M 6 DIN 127	8

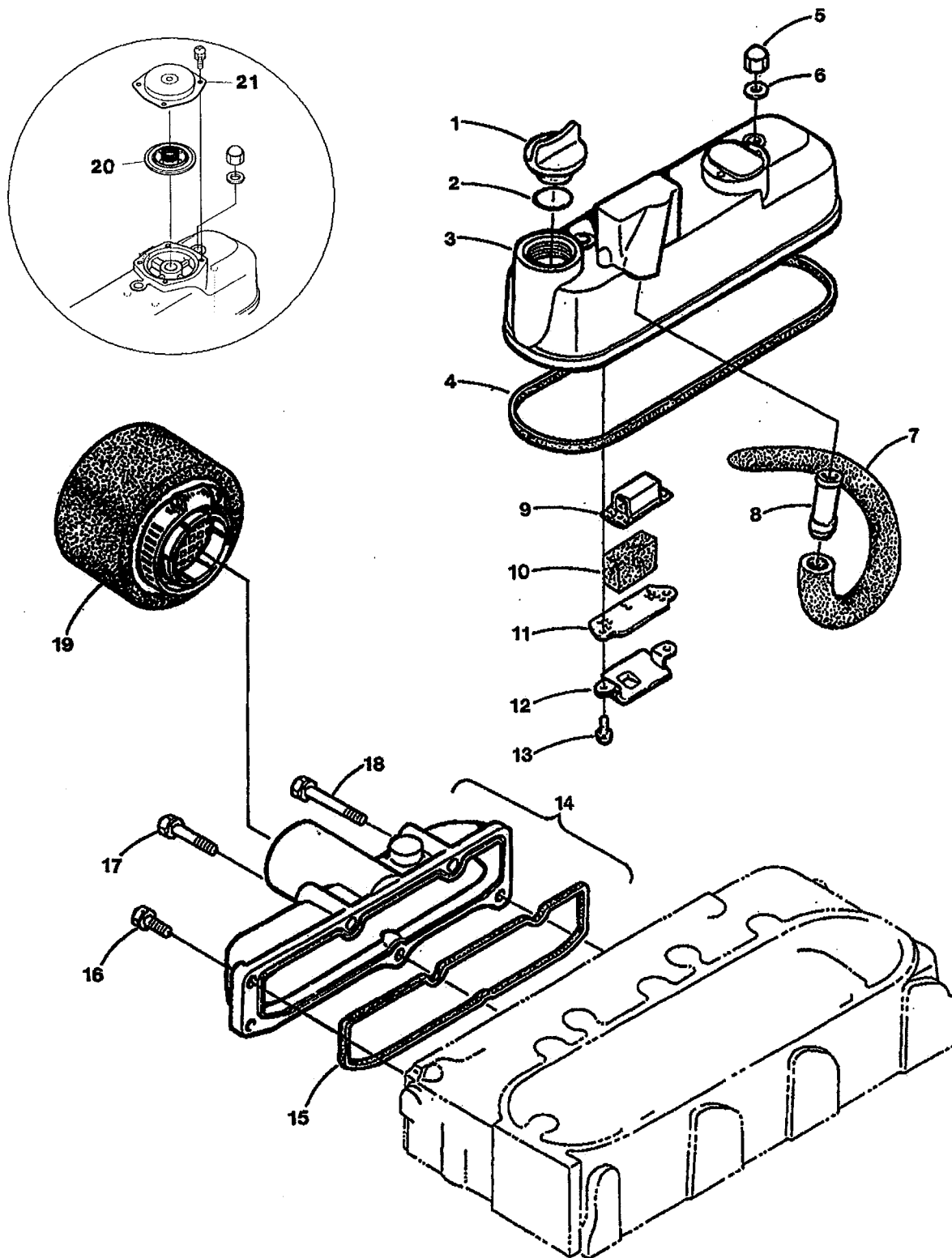
PISTONS, CRANKSHAFT AND MAIN BEARINGS - M-35B / M-40B



PISTONS, CRANKSHAFT AND MAIN BEARINGS - M-35B / M-40B

Reference #	Part #	Part Name	Remarks	Quantity
30	200742	COVER	BEARING CASE	1
31	200860	GASKET	BEARING COVER	1
32	200859	GASKET	BEARING CASE	1
33	200739	BOLT	BEARING CASE	2
34	200736	CASE	ASSEMBLY, MAIN BEARING	1

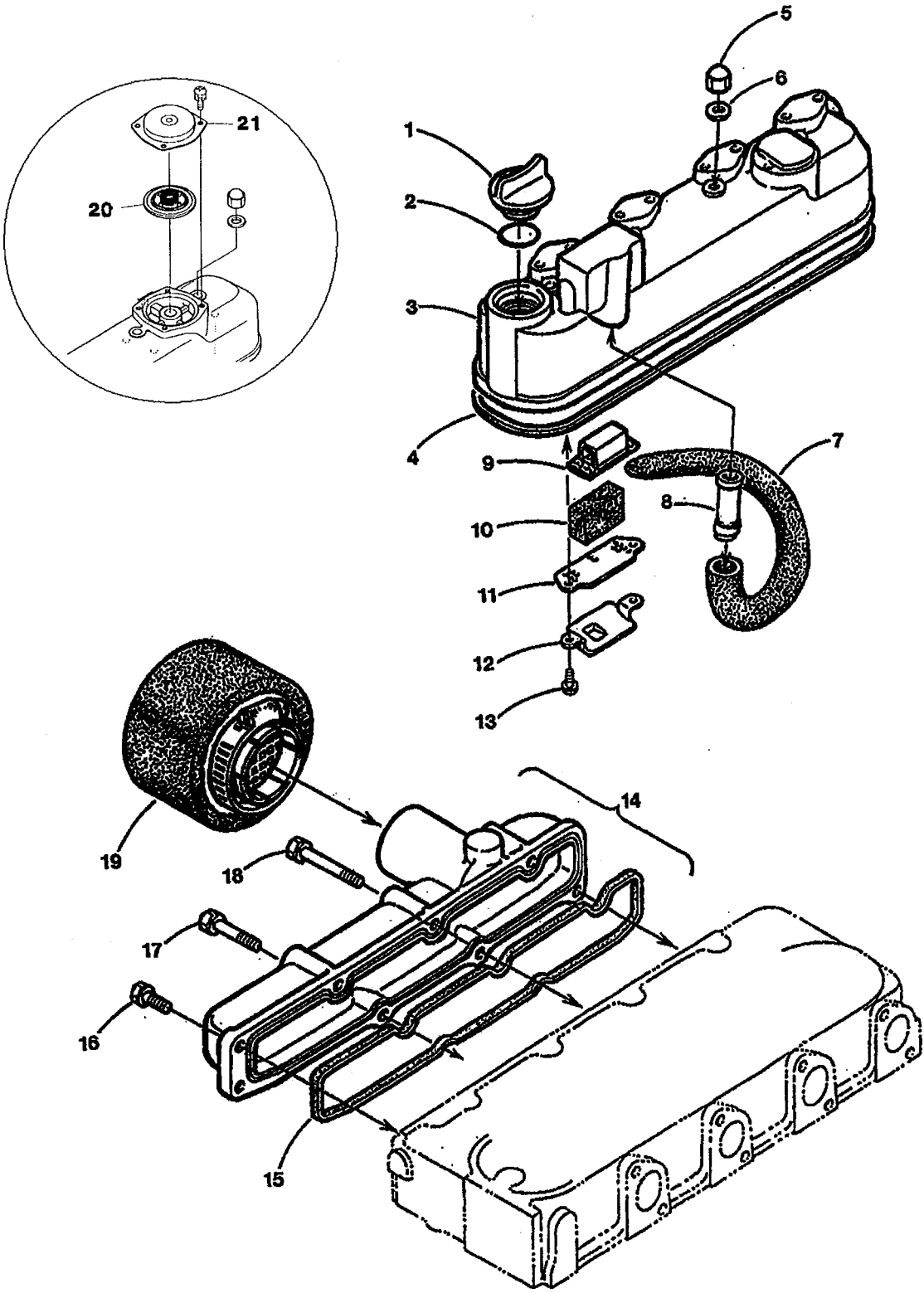
VALVE HEAD COVER AND AIR INTAKE MANIFOLD - M-25XPB



VALVE HEAD COVER AND AIR INTAKE MANIFOLD - M-25XPB

Reference #	Part #	Part Name	Remarks	Quantity
1-1	302707	CAP	OIL FILTER, pre date code E412	1
1-2	053322	CAP	OIL FILTER, post date code E501	1
2	298740	O-RING		1
3-1	200847	COVER	CYLINDER HEAD, ASSY to date code E412	1
3-2	201121	COVER	CYLINDER HEAD, ASSY post date code E501	1
4	200848	GASKET	HEAD COVER	1
5	239457	NUT	CAP	3
6	299459	GASKET	ROCKER COVER STUD	3
7-1	200429	HOSE	BREATHER, to date code E412	1
7-2	201120	HOSE	BREATHER, post date code E501	1
8-1	200747	CONNECTOR	BREATHER HOSE, pre date code E412	1
8-2	200974	CONNECTOR	BREATHER HOSE, post date code E501	2
9	200744	PLATE	BREATHER ELEMENT	1
10	200748	ELEMENT	BREATHER	1
11	200743	PLATE	BREATHER ELEMENT	1
12	200745	SHIELD	OIL BREATHER	1
13	301399	SCREW	M 5 X 10 W/LW	2
14	200843	MANIFOLD	INTAKE ASSEMBLY	1
15	200844	GASKET	INTAKE MANIFOLD	1
16	043065	CAPSCREW	M 6 X 18 J1S 7 W/LW	3
17	043066	CAPSCREW	M 6 X 30 JIS 7 W/LW	1
18-1	300330	CAPSCREW	M 6 X 60 DIN 931	2
18-2	031783	LOCKWASHER	M6 DIN 127	2
19-1	302181	SILENCER	INTAKE	1
19-2	301049	ELEMENT	AIR FILTER	1
20	054147	VALVE	BREATHER, post date code E501	1
21	054143	COVER	BREATHER, post date code E501	1

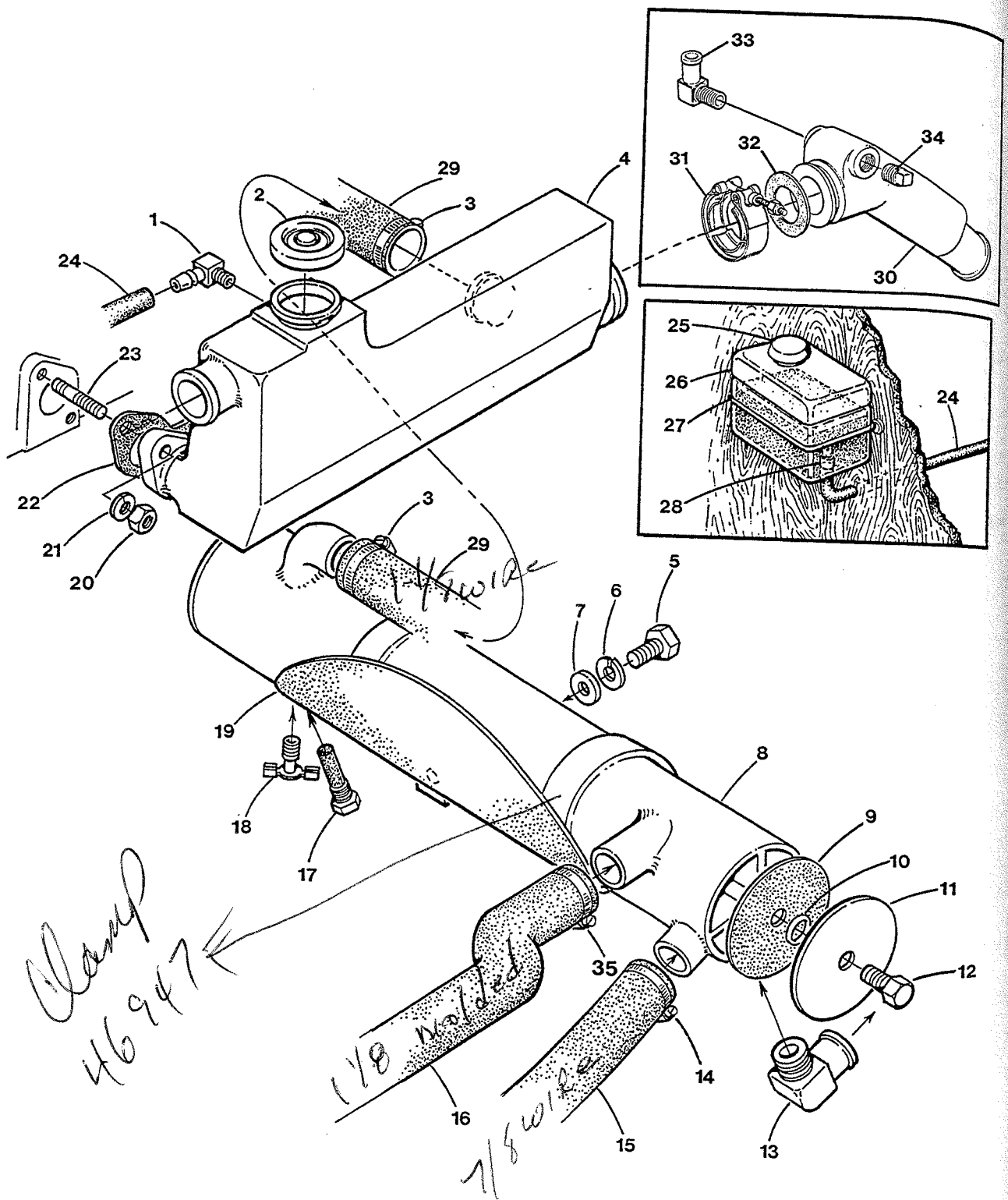
VALVE HEAD COVER AND AIR INTAKE MANIFOLD - M-35B / M-40B



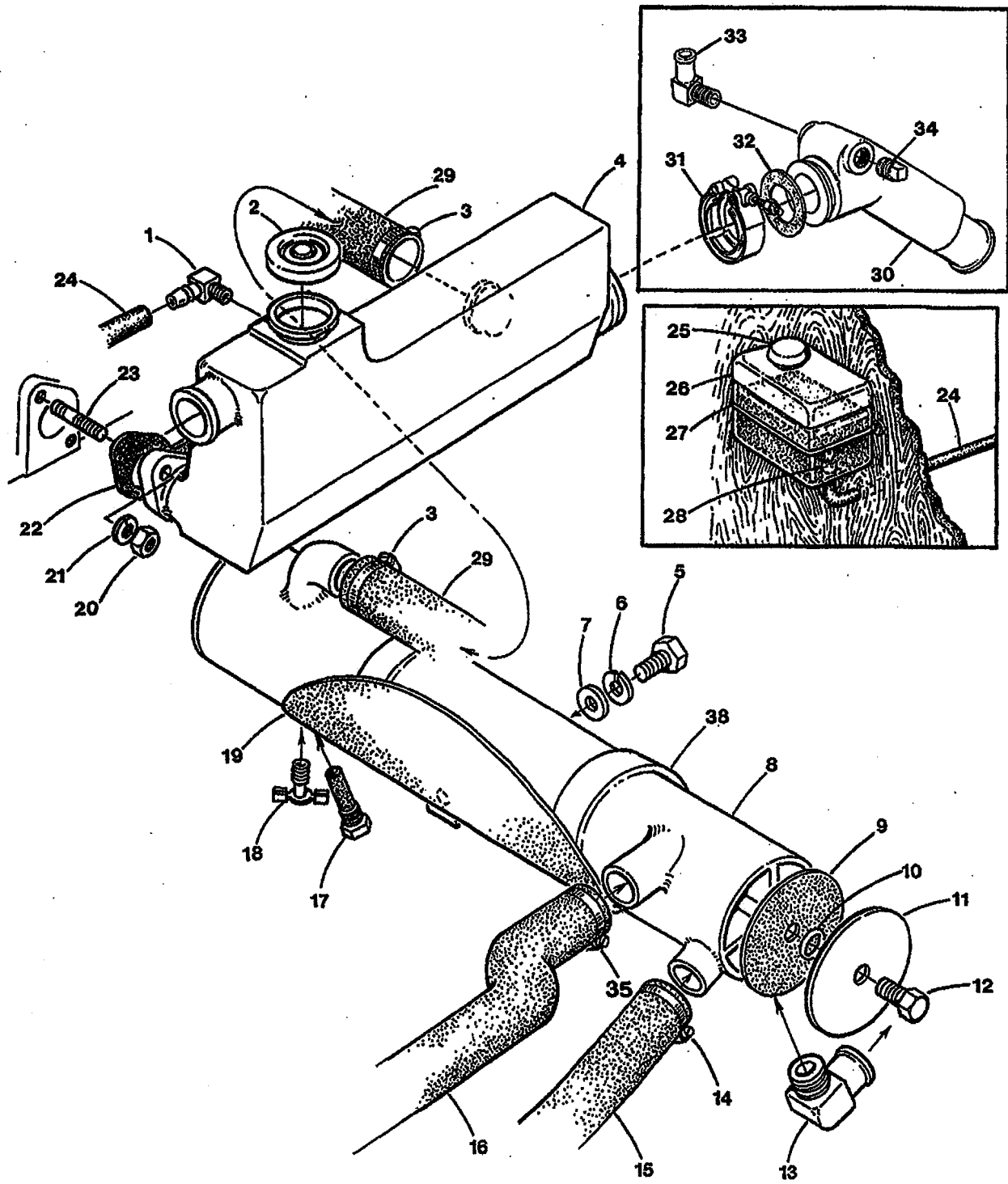
VALVE HEAD COVER, AIR INTAKE MANIFOLD M-35B / M-40B

Reference #	Part #	Part Name	Remarks	Quantity
1-1	302707	CAP	OIL FILTER, pre date code E412	1
1-2	053322	CAP	OIL FILTER, post date code E501	1
2	200635	O-RING		1
3-1	200765	COVER	CYLINDER HEAD, ASSY pre date code E412	1
3-2	201127	COVER	CYLINDER HEAD, ASSY post date code E501	1
4	200768	GASKET	HEAD COVER	1
5	239457	NUT	CAP	4
6	299459	GASKET	ROCKER COVER STUD	4
7-1	200429	HOSE	BREATHER, pre date code E412	1
7-2	201120	HOSE	BREATHER, post date code E501	1
8-1	200747	CONNECTOR	BREATHER HOSE, pre date code E412	1
8-2	200974	CONNECTOR	BREATHER HOSE, post date code E501	2
9	200744	PLATE	BREATHER ELEMENT	1
10	200748	ELEMENT	BREATHER	1
11	200743	PLATE	BREATHER ELEMENT	1
12	200745	SHIELD	OIL BREATHER	1
13	301399	SCREW	M 5 X 10 W/LW	2
14	200872	MANIFOLD	INTAKE ASSEMBLY	1
15	200749	GASKET	INTAKE MANIFOLD	1
16	043065	CAPSCREW	M 6 X 18 JIS 7 W/LW	3
17	043066	CAPSCREW	M 6 X 30 JIS 7 W/LW	2
18-1	300330	CAPSCREW	M 6 X 50 DIN 931	2
18-2	031783	LOCKWASHER	M 6 DIN 127	2
19-1	302181	SILENCER	INTAKE	1
19-2	301049	ELEMENT	AIR INTAKE	1
20	054147	VALVE	BREATHER, post date code E501	1
21	054143	COVER	BREATHER, post date code E501	1

EXHAUST MANIFOLD AND HEAT EXCHANGER - M-25XPB/ M-35B/ M-40B



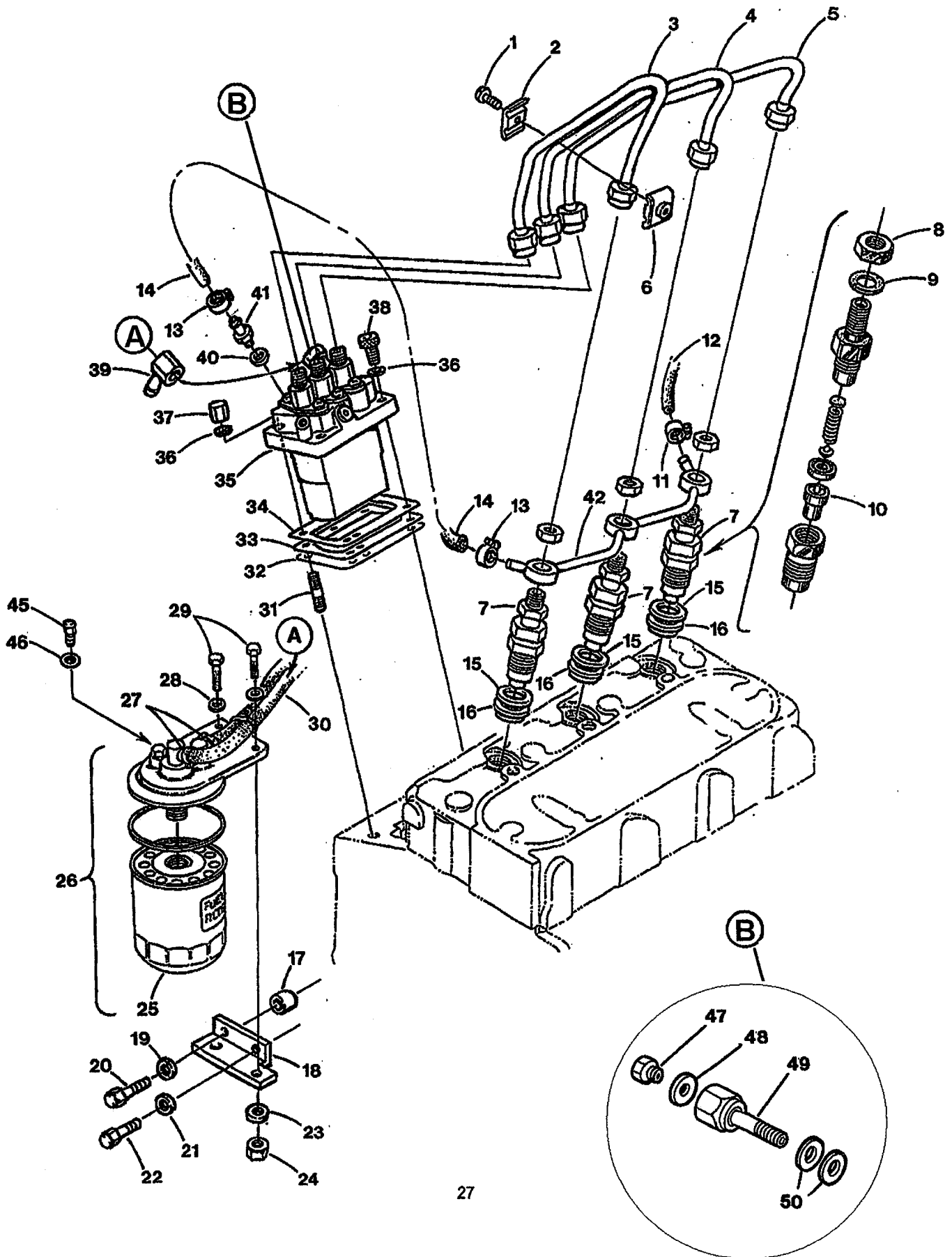
EXHAUST MANIFOLD AND HEAT EXCHANGER - M-25XPB/ M-35B/ M-40B



EXHAUST MANIFOLD and HEAT EXCHANGER M-25XPB / M-35B / M-40B

Reference #	Part #	Part Name	Remarks	Quantity
1	024907	ELBOW	1/8NPT X 5/16 HOSE	1
2	024306	CAP	PRESSURE 15 PSI	1
3	011405	CLAMP	HOSE 16	2
4-1	201025	MANIFOLD	EXHAUST - M-25XPB	1
4-2	201026	MANIFOLD	EXHAUST - M-35B/M-40B	1
5	018813	CAPSCREW	M 10 X 20 DIN 933	2
6	019262	LOCKWASHER	M 10 DIN 127	2
7	031789	WASHER	M 10 DIN 125	2
8	201027	EXCHANGER	HEAT	1
9	022851	GASKET	EXCHANGER END COVER 2-3/4"	1
10	019321	O-RING	EXCHANGER END COVER 2-3/4"	1
11	022850	COVER	EXCHANGER END	1
12	022852	CAPSCREW	3/8 NC X 314 (BRASS)	1
13	036614	ELBOW	HOSE 3/8NPT TO 1	1
14	011386	CLAMP	HOSE 12	1
15	019059	HOSE	7/8 INCH WIRE INSERTED - INCHES REQ'D	26
16-1	200421	HOSE	EXCHANGER TO PUMP - M-25XPB	1
16-2	200439	HOSE	EXCHANGER TO PUMP - M-35B / M-40B	1
17	011885	ZINC		1
18	011471	PETCOCK	1/8NPT EXT SEAT (BRASS)	1
19	303147	PAD	EXCHANGER MOUNT	1
20-1	200446	NUT	M 7 DIN 934 - M-25XPB	6
20-2	200446	NUT	M 7 DIN 934 - M-35B / M-40B	8
21-1	042296	LOCKWASHER	M 7 DIN 127 - M-25XPB	6
21-2	042296	LOCKWASHER	M 7 DIN 127 - M-35B / M-40B	8
22-1	200845	GASKET	EXHAUST MANIFOLD - M-25XPB	1
22-2	200912	GASKET	EXHAUST MANIFOLD - M-35B / M-40B	1
23-1	200432	STUD	M 7 - M-25XPB	6
23-2	200432	STUD	M 7 - M-35B / M-40B	8
24	024637	TUBING	MANIFOLD TO TANK - INCHES REQ'D	72
25	024858	CAP	COOLANT	1
26	024786	STRAP	COOLANT	1
27-1	024977	TANK KIT	INCL REF # 24 THRU 28	1
27-2	024704	TANK	COOLANT RECOVERY	1
28	024906	CLAMP	HOSE 04 MINI	2
29	015774	HOSE	1-1/8 WIRE INSERTED - INCHES REQ'D	11
30-1	200488	KIT	ELBOW, WATER INJ EXHAUST 90 DEG -	1
30-2	200486	KIT	ELBOW, WATER INJ EXHAUST 45 DEG -	1
31	036541	CLAMP	EXHAUST ELBOW	1
32	036425	GASKET	EXHAUST ELBOW	1
33-1	036614	ELBOW	HOSE 3/8NPT TO 1 - 90 DEGREE	1
33-2	036616	ELBOW	1/2NPT TO 1" HOSE - 45 DEGREE	1
34-1	036849	PLUG	3/4 NPT SQ HD 90 DEG ELBOW (BRASS)	1
34-2	035747	PLUG	1/2 NPT SQ HD (BRASS)	1
35	021878	CLAMP	HOSE 20	2
36	042289	NAMEPLATE		1
37	031935	SCREW	8-32 X 1/4 SS OVAL HEAD	2
38	046947	CLAMP	EXCHANGER, POST E203 DATE CODE	2

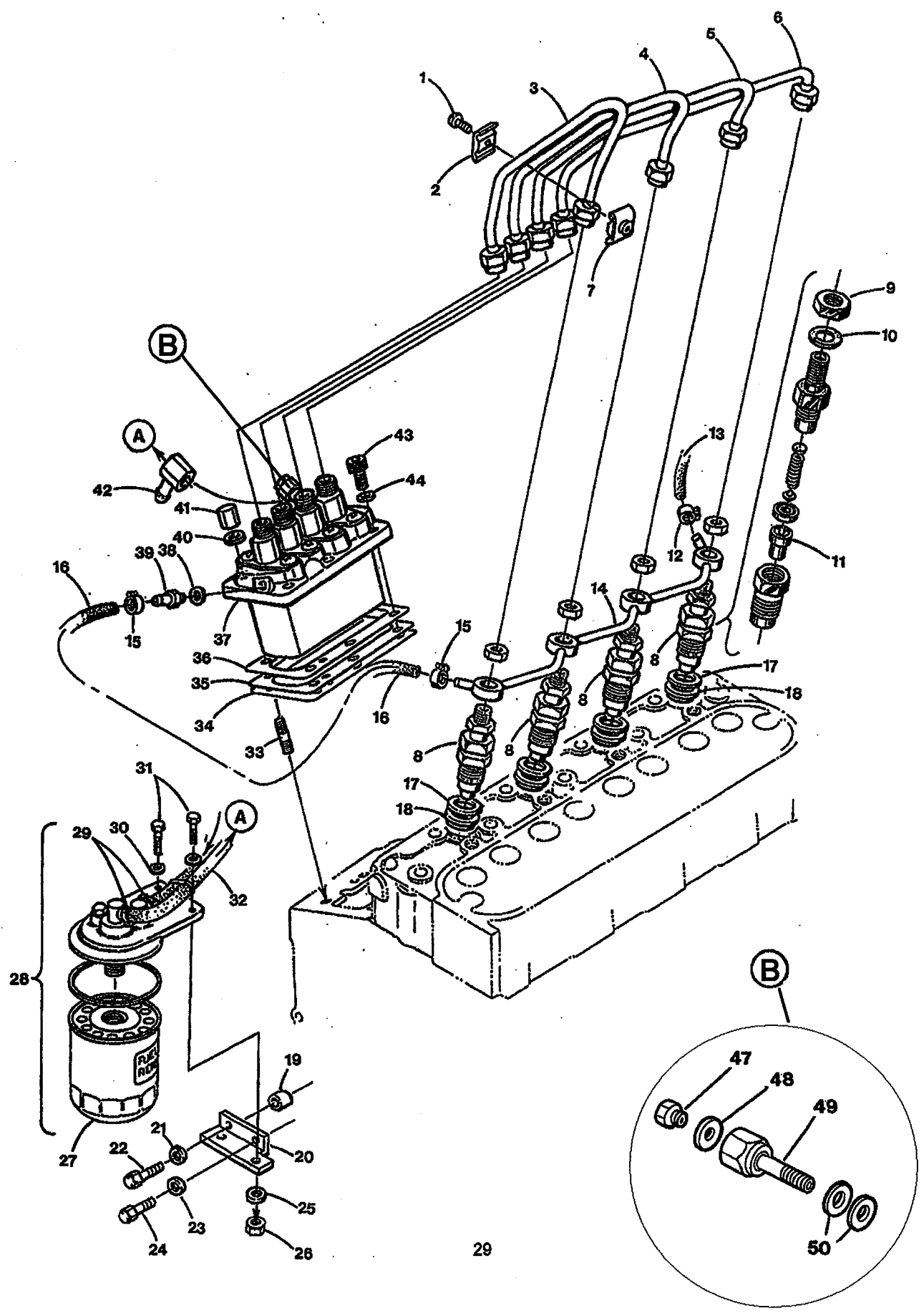
FUEL FILTER, NOZZLE HOLDERS AND INJECTORS - M-25XPB



FUEL FILTER, NOZZLE HOLDERS AND INJECTORS - M-25XPB

Reference #	Part #	Part Name	Remarks	Quantity
1	298794	SCREW	M 5 X 20 PHILLIPS HD WILW	2
2	301307	CLAMP	FUEL LINE	2
3	200880	LINE	INJECTOR 1	1
4	200881	LINE	INJECTOR 2	1
5	200882	LINE	INJECTOR 3	1
6	301308	CLAMP	FUEL LINE	2
7-1	200701	INJECTOR	COMPLETE, pre date code E412	3
7-2	201125	INJECTOR	COMPLETE, post date code E501	3
8	200703	NUT	INJECTOR LEAK-OFF	3
9	200704	WASHER	INJECTOR	3
10-1	200701	NOZZLE	INJECTOR, pre date code E412	3
10-2	201124	NOZZLE	INJECTOR, post date code E501	3
11	040384	CLAMP	HOSE, MINI	1
12	036869	HOSE	FUEL, 3/16 ID - INCHES REQ'D	7
13	040822	CLAMP	HOSE, MINI	2
14	301299	LINE	RETURN	1
15	301303	GASKET	INJECTOR	3
16	200617	SHIELD	HEAT INJECTOR	3
17	042225	SPACER		1
18	300103	BRACKET	FUEL FILTER	1
19	031786	LOCKWASHER	M 8 DIN 127	1
20	017196	CAPSCREW	M 8 X 20 DIN 933	1
21	019262	LOCKWASHER	M 10 DIN 127	1
22	024952	CAPSCREW	M 10 X 1.25 X 25 DIN 961	1
23	031758	LOCKWASHER	SPLIT, 5116 MED (STEEL)	2
24	031756	NUT	HEX 5116-18 NC (STEEL ZINC)	2
25	298854	FILTER	FUEL	1
26	298853	FILTER	FUEL ASSEMBLY	1
27	017298	CLAMP	HOSE	2
28	031759	WASHER	FLAT, 5116 SAE (STEEL)	2
29	031555	CAPSCREW	5/16NC X 1	2
30	039140	HOSE	FUEL, 5/16 ID - INCHES REQ'D	10
31	301312	STUD	INJECTION PUMP	2
32-1	200575	SHIM	INJECTION PUMP .30MM	1
32-2	201133	SHIM	INJECTION PUMP .35MM	1
33	200574	SHIM	INJECTION PUMP .25MM	1
34-1	200573	SHIM	INJECTION PUMP .20MM	1
34-2	201134	SHIM	INJECTION PUMP .175MM	1
35	200698	PUMP	INJECTION ASSEMBLY	1
36	031783	LOCKWASHER	M 6 DIN 127	4
37	301313	NUT	CAP	2
38	039874	CAPSCREW	M 6 X 20 DIN 912	2
39	200834	BANJO	INJECTION PUMP	1
40	301241	GASKET		1
41	301300	SCREW	BLEED	1
42	200853	LINE	INJECTOR RETURN	1
45	299855	SCREW	BLEED	1
46	299856	O-RING		1
47	301749	SCREW	BLEED	1
48	301750	WASHER	BLEED SCREW	1
49	200699	BOLT	BANJO	1
50	301752	WASHER	BANJO	2

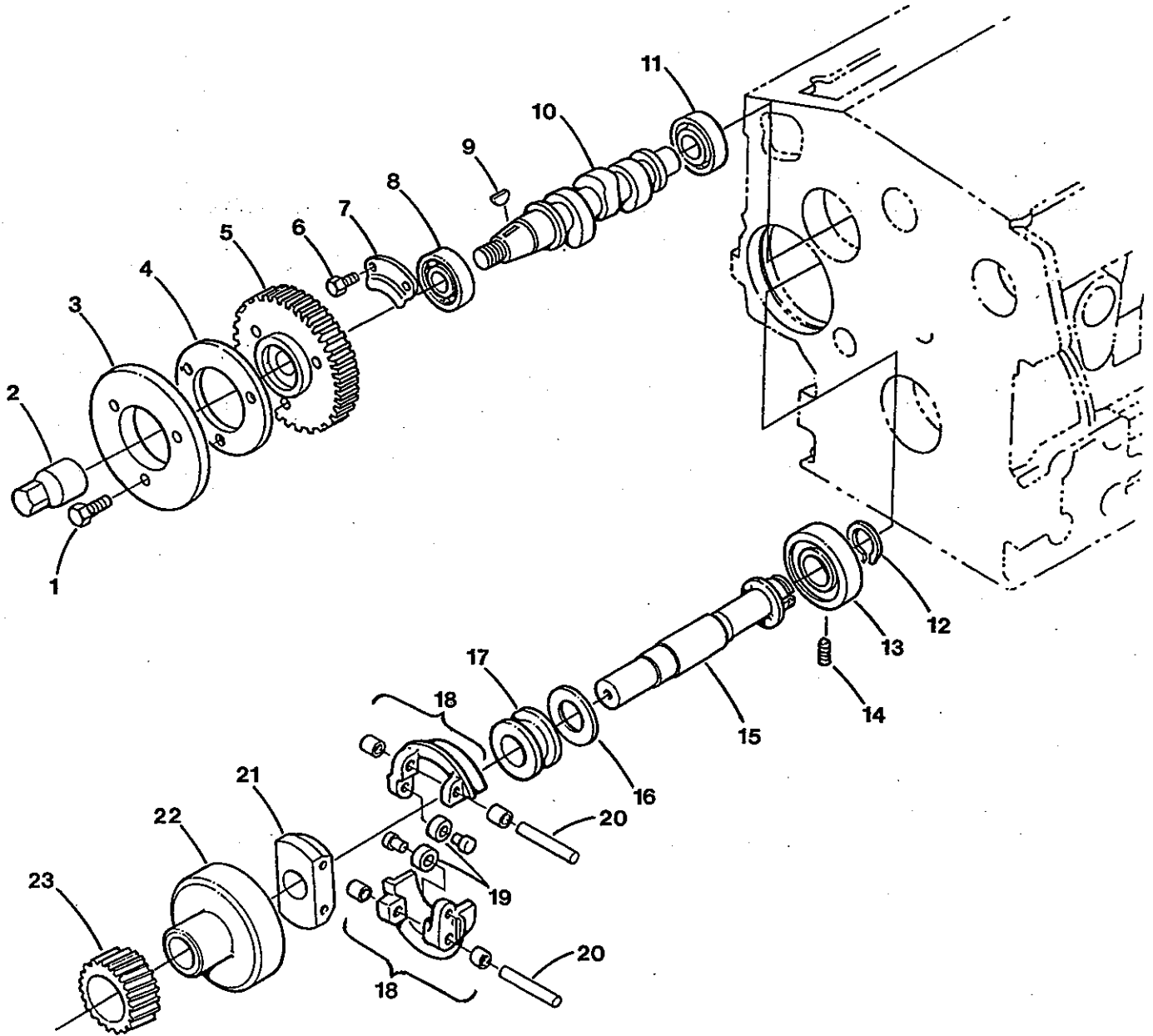
FUEL FILTER, NOZZLE HOLDERS AND INJECTORS - M-35B / M-40B



FUEL FILTER, NOZZLE HOLDERS, INJECTORS - M-35B / M-40B

Reference #	Part #	Part Name	Remarks	Quantity
1	298794	SCREW	M 5 X 20 PHILLIPS HD W/LW	3
2	301307	CLAMP	FUEL LINE	3
3	200880	LINE	INJECTOR 1	1
4	200881	LINE	INJECTOR 2	1
5	200882	LINE	INJECTOR 3	1
6	200883	LINE	INJECTOR 4	1
7	301306	CLAMP	FUEL LINE	3
8-1	200701	INJECTOR	COMPLETE, pre date code E412	4
8-2	201125	INJECTOR	COMPLETE, post date code E501	4
9	200703	NUT	INJECTOR LEAK-OFF	4
10	200704	WASHER	INJECTOR	4
11-1	200702	NOZZLE	INJECTOR, pre date code E412	4
11-2	201124	NOZZLE	INJECTOR, post date code E501	4
12	040384	CLAMP	HOSE, MINI	1
13	036869	HOSE	FUEL, 3/16 ID - INCHES REQ'D	7
14	200879	LINE	INJECTOR RETURN	1
15	040622	CLAMP	HOSE, MINI	2
16	301299	LINE	RETURN	1
17	301303	GASKET	INJECTOR	4
18	200617	SHIELD	HEAT INJECTOR	4
19	042225	SPACER		1
20	300103	BRACKET	FUEL FILTER	1
21	031786	LOCKWASHER	M 8 DIN 127	1
22	017196	CAPSCREW	M 8 X 20 DIN 933	1
23	019262	LOCKWASHER	M 10 DIN 127	1
24	024952	CAPSCREW	M 10X 1.25 X 25 DIN 961	1
25	031758	LOCKWASHER	SPLIT, 5/16 MED (STEEL)	2
26	031756	NUT	HEX 5/16-18 NC (STEEL ZINC)	2
27	298854	FILTER	FUEL	1
28	298853	FILTER	FUEL ASSEMBLY	1
29	017298	CLAMP	HOSE	2
30	031759	WASHER	FLAT, 5/16 SAE (STEEL)	2
31	031555	CAPSCREW	5/16NC X 1	2
32	039140	HOSE	FUEL,5/16 ID - INCHES REQ'D	21
33	301312	STUD	INJECTION PUMP	3
34-1	200708	SHIM	INJECTION PUMP .30MM	1
34-2	201102	SHIM	INJECTION PUMP .35MM	1
35	200707	SHIM	INJECTION PUMP .25MM	1
36-1	200706	SHIM	INJECTION PUMP .20MM	1
36-2	201103	SHIM	INJECTION PUMP .175MM	1
37	200715	PUMP	INJECTION ASSEMBLY	1
38	301241	GASKET		1
39	301300	SCREW	BLEED	1
40	031783	LOCKWASHER	M 6 DIN 127	6
41	301313	NUT	CAP	3
42	200834	BANJO	INJECTION PUMP	1
43	039874	CAPSCREW	M 6 X 20 DIN 912	3
44	031783	LOCKWASHER,	M 6 DIN 127	6
45	299855	SCREW	BLEED	1
46	299856	O-RING		1
47	301749	SCREW	BLEED	1
48	301750	WASHER	BLEED SCREW	1
49	200699	BOLT	BANJO	1
50	301752	WASHER	BANJO	2

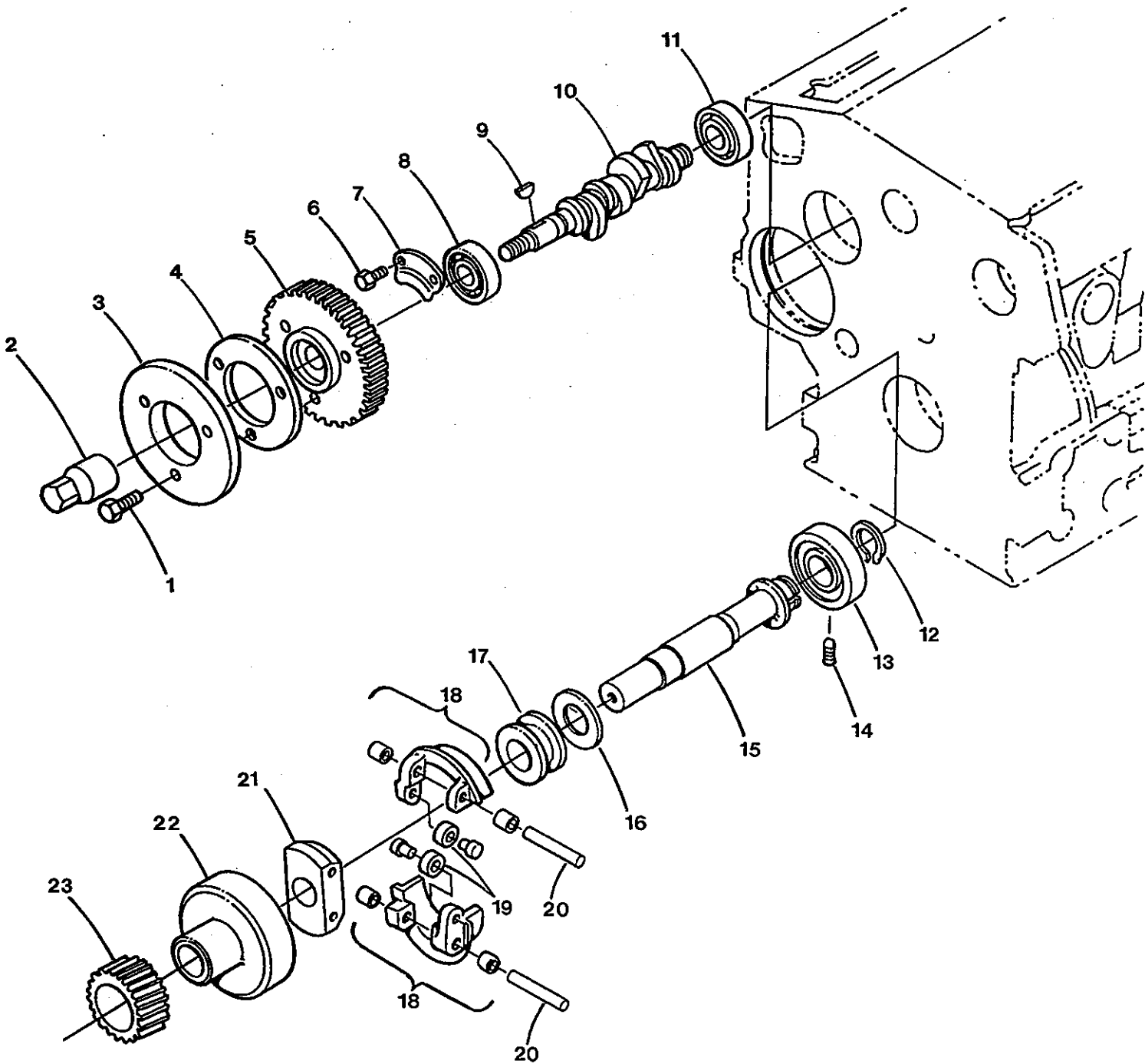
FUEL CAMSHAFT AND GOVERNOR SHAFT - M-25XPB



FUEL CAMSHAFT AND GOVERNOR SHAFT - M-25XPB

Reference #	Part #	Part Name	Remarks	Quantity
1	043065	CAPSCREW	M 6 X18 JIS 7 W/LW	3
2	200831	NUT	CAP	1
3	200803	CAM	FUEL	1
4	200804	WASHER	INJECTION PUMP DRIVE GEAR	1
5	200897	GEAR	INJECTION PUMP	1
6	035785	CAPSCREW	M 6 X 12 JIS 6 W/LW	2
7	200769	STOPPER	FUEL CAMSHAFT	1
8-1	200646	BEARING	BALL, pre date code E412	1
8-2	201114	BEARING	BALL, post date code E501	1
9	200833	KEY	WOODRUFF	1
10	200696	CAMSHAFT	FUEL	1
11-1	200645	BEARING	BALL, pre date code E412	1
11-2	201113	BEARING	BALL, post date code E501	1
12	200886	RING	RETAINING (EXTERNAL)	1
13-1	200644	BEARING	BALL, pre date code E412	1
13-2	201115	BEARING	BALL, post date code E501	1
14	200812	SETSCREW	ASSEMBLY	1
15	200866	SHAFT	GOVERNOR, ASSY - INCLUDES REF 16-23	1
16	200811	TFIRUSTWASHER		1
17	200810	SLEEVE	GOVERNOR	1
18	200806	WEIGHT	GOVERNOR ASSEMBLY	2
19	201002	ROLLER	GOVERNOR	2
20	200807	SHAFT	GOVERNOR WEIGHT	2
21	200808	HOLDER	GOVERNOR WEIGHT	1
22	200809	HOLDER	GOVERNOR GEAR	1
23	200904	GEAR	GOVERNOR	1

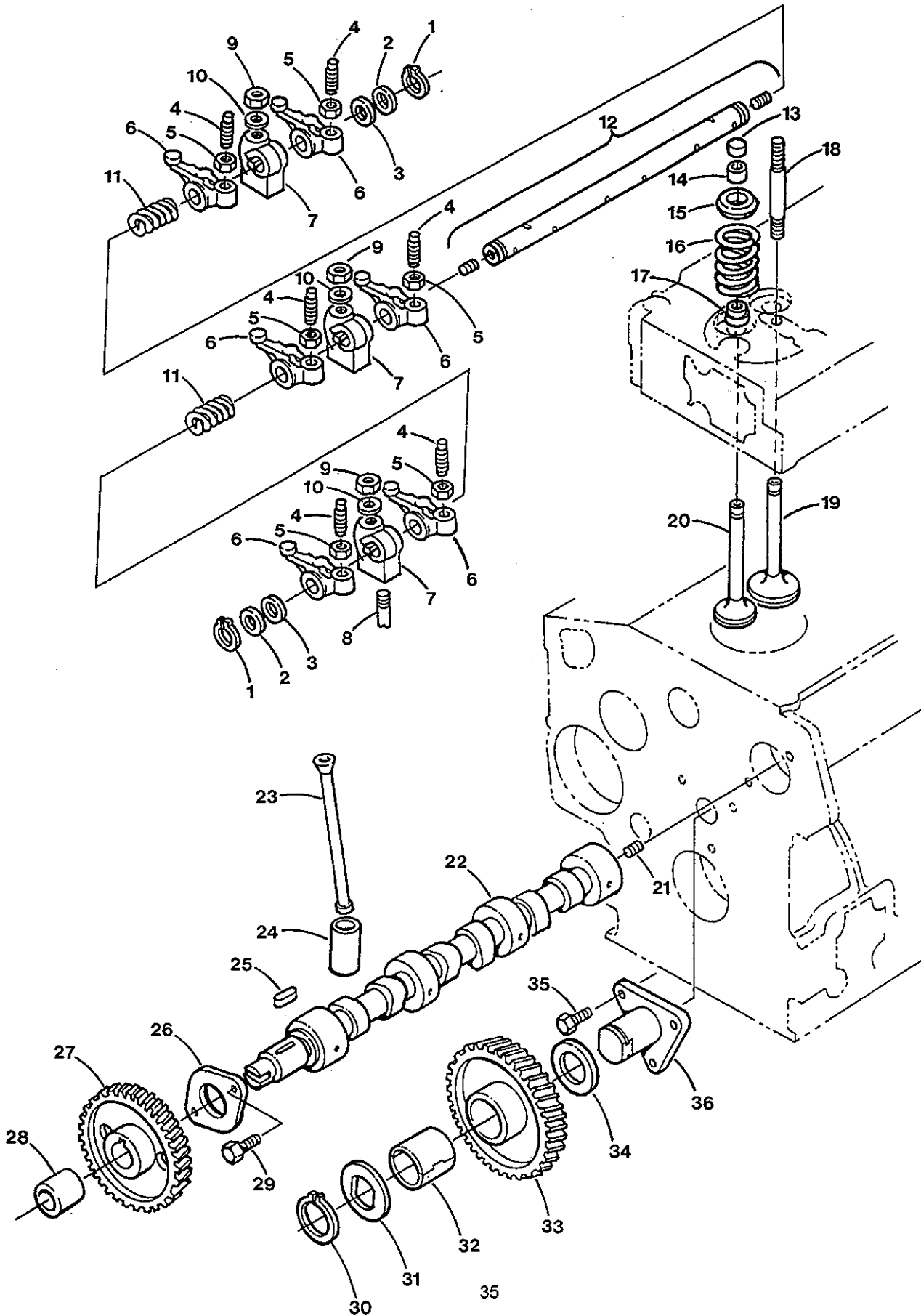
FUEL CAMSHAFT AND GOVERNOR SHAFT - M-35B / M-40B



FUEL CAMSHAFT AND GOVERNOR SHAFT - M-35B I M-40B

Reference #	Part #	Part Name	Remarks	Quantity
1	043065	CAPSCREW	M 6 X 18 JIS 7 W/LW	3
2	200831	NUT	CAP	1
3	200803	CAM	FUEL	1
4	200804	WASHER	INJECTION PUMP DRIVE GEAR	1
5	200897	GEAR	INJECTION PUMP	1
6	035785	CAPSCREW	M 6 X 12 JIS 6 W/LW	2
7	200769	STOPPER	FUEL CAMSHAFT	1
8-1	200646	BEARING	BALL, pre date code E412	1
8-2	201114	BEARING	BALL, post date code E501	1
9	200833	KEY	WOODRUFF	1
10	200705	CAMSHAFT	FUEL	1
11-1	200645	BEARING	BALL, pre date code E412	1
11-2	201113	BEARING	BALL, post date code E501	1
12-1	200886	RING	RETAINING (EXTERNAL), pre date code E412	1
12-2	201115	RING	RETAINING (EXTERNAL) post date code E501	1
13	200644	BEARING	BALL	1
14	200812	SETSCREW		1
15-1	200903	SHAFT	GOVERNOR ASSY-INCL REHM 15-2 THRU 23	1
15-2	200884	SHAFT	GOVERNOR	1
16	200811	THRUSTWASHER		1
17	200810	SLEEVE	GOVERNOR	1
18	200806	WEIGHT	GOVERNOR ASSEMBLY	2
19	201002	ROLLER	GOVERNOR	2
20	200807	SHAFT	GOVERNOR WEIGHT	2
21	200808	HOLDER	GOVERNOR WEIGHT	1
22	200809	HOLDER	GOVERNOR GEAR	1
23	200904	GEAR	GOVERNOR	1

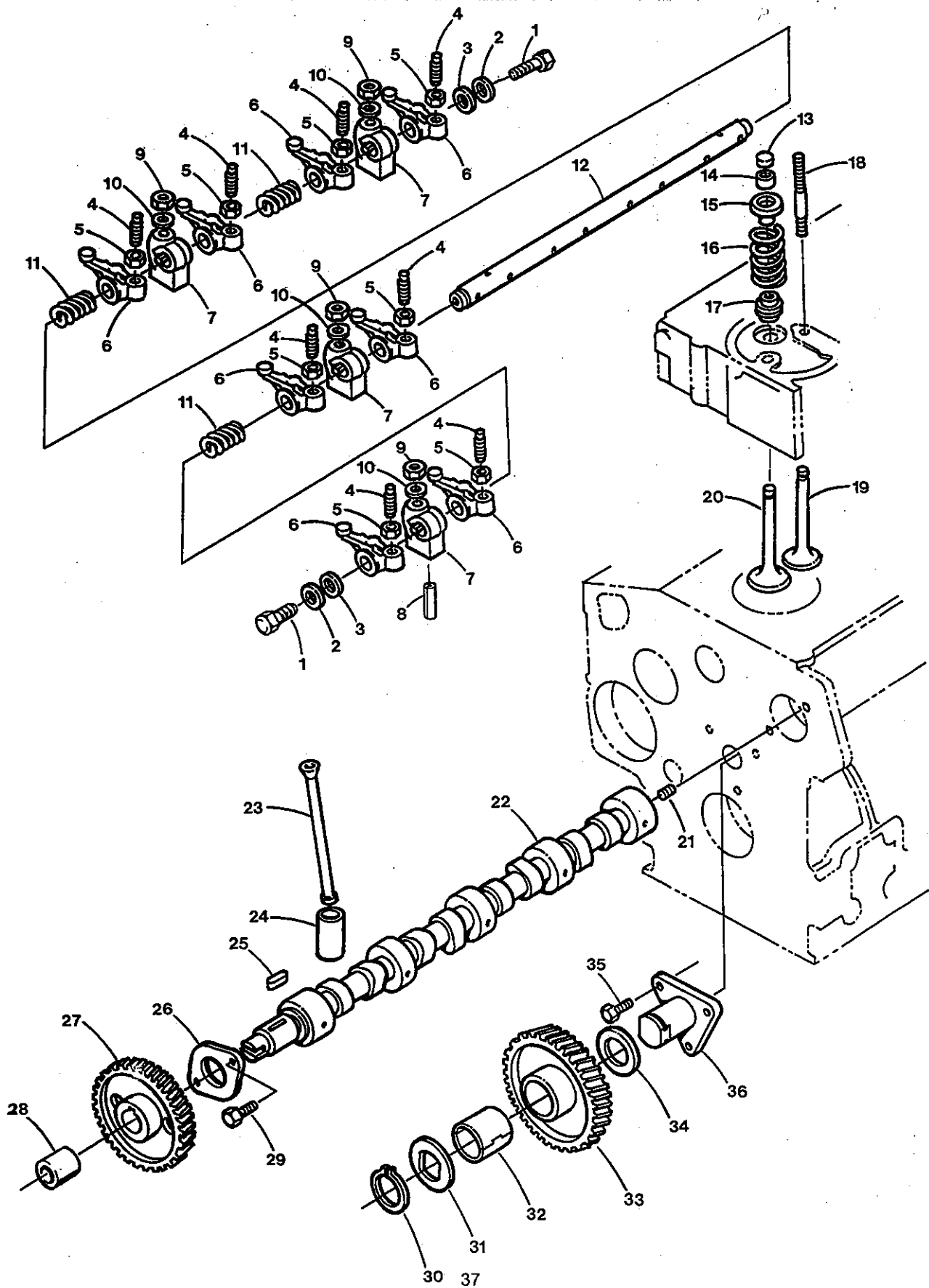
VALVES, ROCKER ARMS AND CAMSHAFTS - M-25XPB



VALVES, ROCKER ARMS AND CAMSHAFTS - M-25XPB

Reference #	Part #	Part Name	Remarks	Quantity
1	200626	RING	RETAINING (EXTERNAL)	2
2	200764	WASHER	ROCKER ARM SHAFT	2
3	200763	WASHER	ROCKER ARM SHAFT	2
4	200757	SCREW	ADJUSTING	6
5	200758	NUT	ROCKER ARM	6
6	200765	ROCKER ARM	ASSEMBLY - INCLUDES REF #S 4 & 5	6
7	200761	BRACKET	ROCKER ARM	3
8	299447	SETSCREW	ROCKER ARM	1
9	299446	NUT	ROCKER BRACKET	3
10	300156	WASHER	ROCKER BRACKET	3
11	200760	SPRING	ROCKER SHAFT	2
12	200846	SHAFT	ROCKER ARM ASSY-INCLUDES SETSCREW	6
13	299442	CAP	VALVE	6
14	299440	COLLET	VALVE SPRING	6
15	302453	SEAT	VALVE SPRING UPPER	6
16	200873	SPRING	VALVE	6
17	200647	SEAL	VALVE STEM	6
18	299445	STUD	ROCKER BRACKET	3
19	200750	VALVE	INLET	3
20	200751	VALVE	EXHAUST	3
21	301713	SETSCREW		1
22	200850	CAMSHAFT	ASSEMBLY - INCLUDES REF #S 21,25-27 & 29	1
23	200767	PUSHROD		6
24	200849	TAPPET		6
25	301568	KEY	WOODRUFF	1
26	200768	STOPPER	CAMSHAFT	1
27	200770	GEAR	CAMSHAFT	1
28	044497	SLEEVE	RAW WATER PUMP	1
29	035799	CAPSCREW	M 6 X 14 J1S W/LW	2
30	200793	RING	RETAINING (EXTERNAL)	1
31	200795	THRUSTWASHER	IDLER GEAR	1
32	200878	BUSHING	IDLER GEAR	1
33	200877	GEAR	IDLER ASSEMBLY - INCLUDES REF # 32	1
34	200794	THRUSTWASHER	IDLER GEAR	1
35	035800	CAPSCREW	M 6 X 16 JIS6W/LW	3
36	200792	SHAFT	IDLER GEAR	1

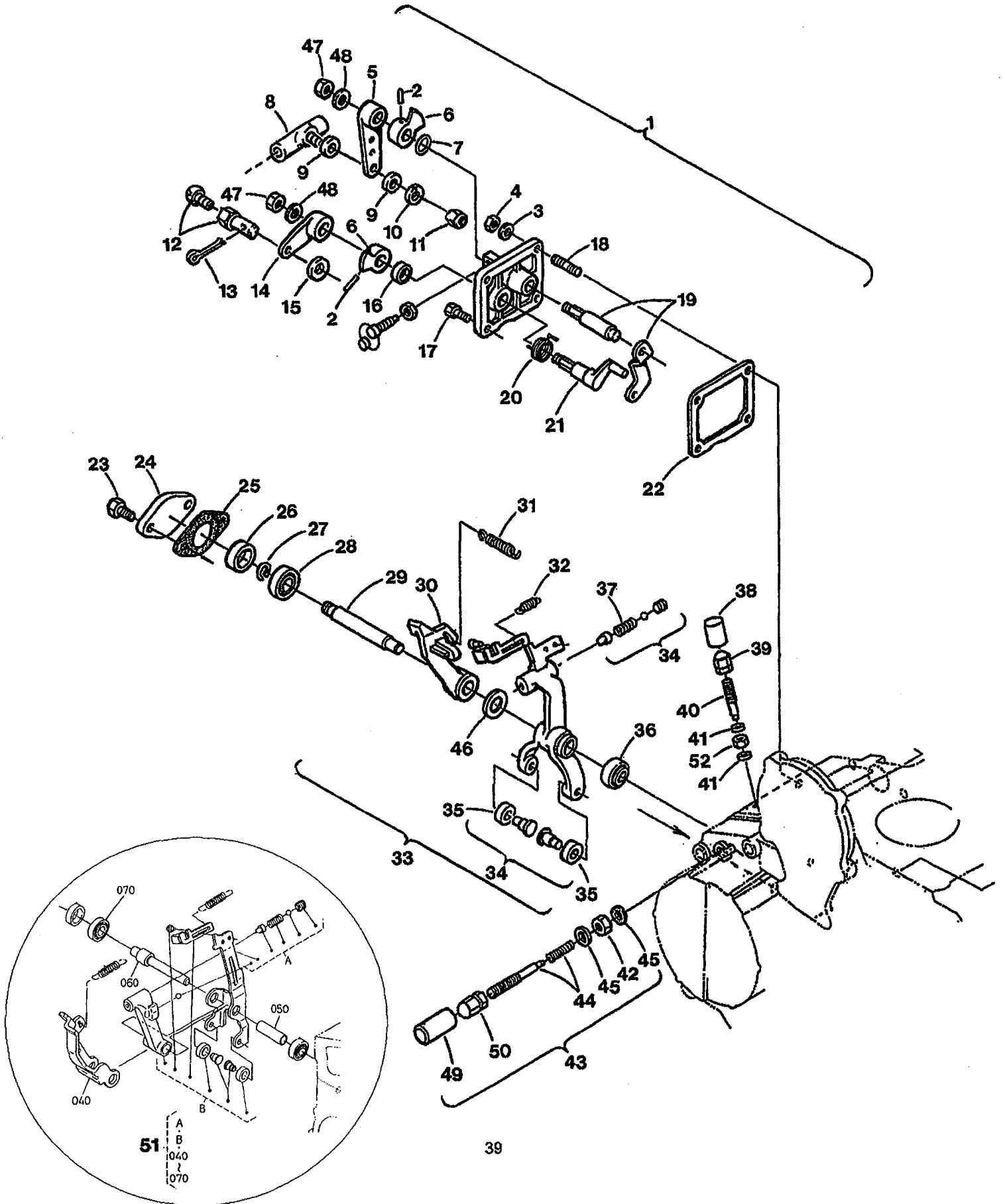
VALVES, ROCKER ARMS AND CAMSHAFTS - M-35B / M-40B



VALVES, ROCKER ARMS AND CAMSHAFTS - M-35B / M-40B

Reference #	Part #	Part Name	Remarks	Quantity
1	301256	CAPSCREW	M 6 X 10 J1S W/LW	2
2	301255	WASHER	PLAIN	2
3	200763	WASHER	ROCKER ARM SHAFT	2
4	200757	SCREW	ADJUSTING	8
5	200758	NUT	ROCKER ARM	8
6	200756	ROCKER ARM	ASSEMBLY - INCLUDES REF VS 4 & 5	8
7	200761	BRACKET	ROCKER ARM	4
8	200637	PIN	SPRING	1
9	299446	NUT	ROCKER BRACKET	4
10	300158	WASHER	ROCKER BRACKET	4
11	200760	SPRING	ROCKER SHAFT	3
12	200759	SHAFT	ROCKER ARM	1
13	299442	CAP	VALVE	8
14	299440	COLLET	VALVE SPRING	8
15	302453	SEAT	VALVE SPRING UPPER	8
16	200873	SPRING	VALVE	8
17	200647	SEAL	VALVE STEM	8
18	299445	STUD	ROCKER BRACKET	4
19	200751	VALVE	EXHAUST	4
20	200750	VALVE	INLET	4
21	301713	SETSCREW		1
22	200874	CAMSHAFT	ASSEMBLY - INCLUDES REF 21, 25-27 & 29	1
23	200767	PUSHROD		8
24	200849	TAPPET		8
26	200768	STOPPER	CAMSHAFT	1
27	200770	GEAR	CAMSHAFT	1
28	044497	SLEEVE	RAW WATER PUMP	1
29	035799	CAPSCREW	M 6 X 14 JIS W/LW	2
30	200793	RING	RETAINING (EXTERNAL)	1
31	200795	THRUSTWASHER	IDLER GEAR	1
32	200878	BUSHING	IDLER GEAR	1
33	200877	GEAR	IDLER ASSEMBLY - INCLUDES REF # 32	1
34	200794	THRUSTWASHER	IDLER GEAR	1
35	035800	CAPSCREW	M 6 X 16 JIS6W/LW	3
36	200792	SHAFT	IDLER GEAR	1

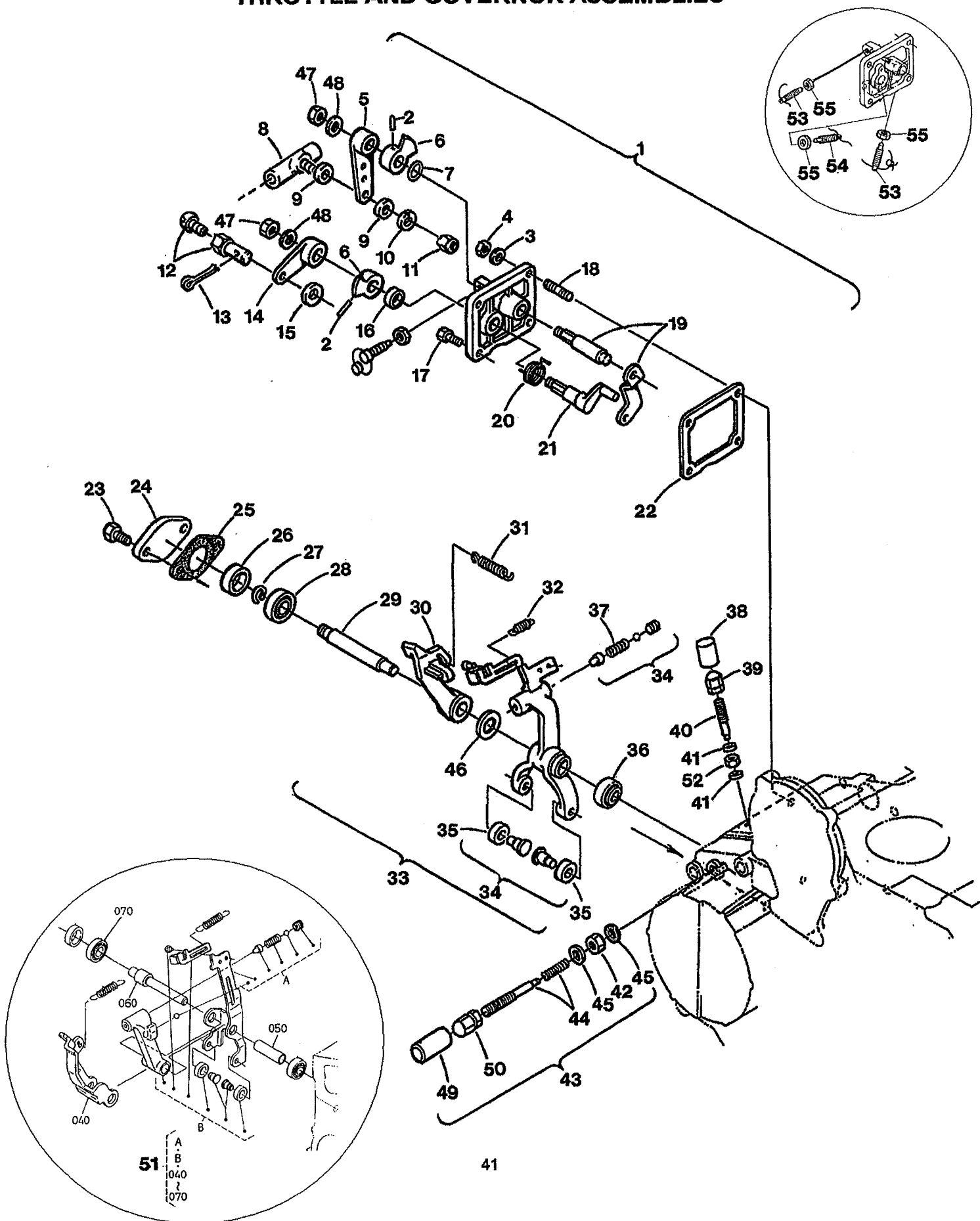
THROTTLE AND GOVERNOR ASSEMBLIES



THROTTLE AND GOVERNOR ASSEMBLIES

Reference #	Part #	Part Name	Remarks	Quantity
1-1	200890	LEVER	THROTTLE M-25XPB-REF2-7,14,16,19-21	1
1-2	200914	LEVER	THROTTLE M35/40B-REF2-7,14,16,19-21	1
2	301498	PIN	SPRING	2
3	015812	NUT	M 6 DIN 934	2
4	031783	LOCKWASHER	M 6 DIN 127	2
5	200891	LEVER	THROTTLE	1
6	200818	LEVER	THROTTLE	1
7-1	298680	O-RING	M-25XPB	1
7-2	200630	O-RING	M-35B / M-40B	1
8	033482	BALLJOINT	1/4" NF MALE 10-32 FEM	1
9	031753	WASHER	FLAT, 1/4" SAE (STEEL)	2
10	031752	LOCKWASHER	SPLIT 1/4 MED (STEEL)	1
11	031754	NUT	1/4-28 NF HEX (STEEL ZINC)	1
12	299864	PIVOT	STOP LEVER	1
13	011796	PIN	COTTER, 1/16 X 1/2	1
14	200892	LEVER	ENGINE STOP	1
15	031784	WASHER	M 6 DIN 125	1
16	200673	SEAL	OIL	1
17-1	035800	CAPSCREW	M 6 X 16 JIS 6 W/ LW - M-25XPB	2
17-2	038500	CAPSCREW	M 6 X 16 JIS W/LW - M-35B / M-40B	1
17-3	299365	CAPSCREW	M 6 X 18 JIS M-35B / M-40B	1
17-4	301241	GASKET	M-35B / M-40B	1
18-1	301507	STUD	M-25XPB	2
18-2	200839	STUD	M-35B / M-40B	2
19	200887	LEVER	GOVERNOR ASSEMBLY	1
20	200727	SPRING	RETURN	1
21	200893	SHAFT	STOP LEVER	1
22	200862	GASKET	THROTTLE LEVER PLATE	1
23	035799	CAPSCREW	M 6 X 14 JIS W/LW	2
24	200815	COVER	FORK LEVER SHAFT	1
25	200913	GASKET	GOVERNOR COVER	1
26	200814	COLLAR		1
27	200625	RING	RETAINING (EXTERNAL)	1
28	200816	BEARING	BALL	1
29	200813	SHAFT	FORK LEVER	1
30-1	200888	LEVER	FORK - M-25XPB	1
30-2	200726	LEVER	FORK - M-35B / M-40B	1
31	200909	SPRING	GOVERNOR	1
32-1	200855	SPRING	START - M-25XPB	1
32-2	200889	SPRING	START - M-3513 / M-40B	1
33-1	200719	LEVER ASSY	M-25XPB-INC 29,30,34,35,37,46 to date E412	1
33-2	200720	LEVER ASSY	M35/40B-INC REF# 29,30,34,35,37,46 to E412	1
34-1	200718	LEVER	FORK ASSEMBLY, to date E412	1
34-2	200716	SPRING		1
34-3	298805	BALL		1
35	201002	ROLLER	GOVERNOR to date code E412	2
36	200817	BEARING	BALL	1
37	200716	SPRING	M-25XPB	1
38-1	200721	CAP	IDLE ADJUSTING SCREW - M-25XPB	1
38-2	200648	CAP	LOCK - M-35B/M-40B	1
39	302746	NUT	CAP	1
40	200805	BOLT	ADJUSTING	1
41-1	301241	GASKET	M-25XPB	2
41-2	301241	GASKET	M-35B / M-40B	1

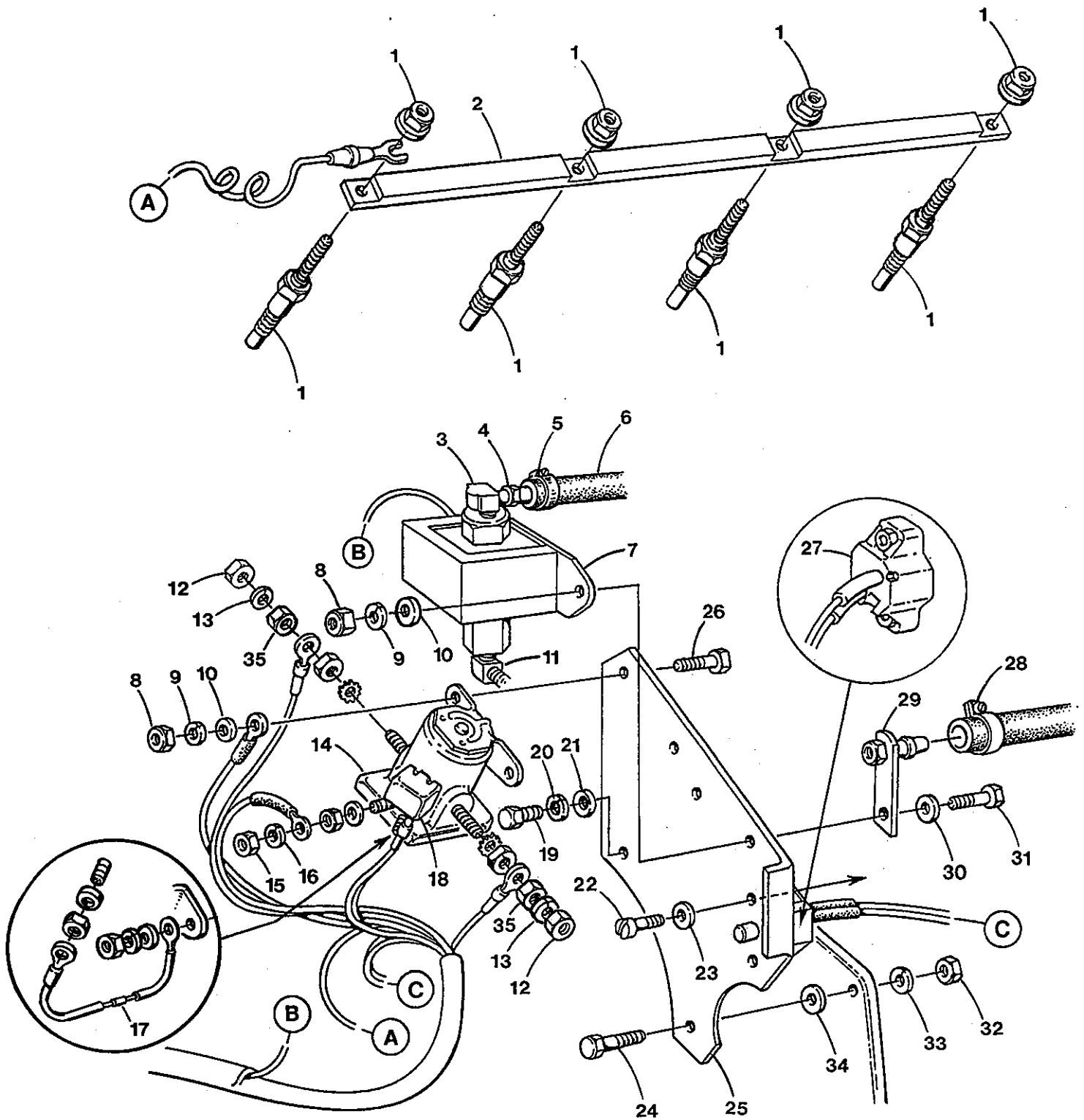
THROTTLE AND GOVERNOR ASSEMBLIES



THROTTLE AND GOVERNOR ASSEMBLIES

Reference #	Part #	Part Name	Remarks	Quantity
41-3	200650	WASHER	COPPER - M-35B / M-40B	1
42	301581	NUT	HEX	1
43	200907	IDLER	ADJUSTING, ASSEMBLY	1
44	200908	BOLT	ADJUSTING	1
45	301241	GASKET		2
46	201023	WASHER	FORK LEVER, to date code E412	1
47	045545	NUT	M 6 KEPS	2
48	031753	WASHER	1/4 FLAT	2
49	200721	CAP	LOCKING	1
50	302746	NUT	CAP	1
51	201126	LEVER ASSY	FORK, post date code E501	1
52	200649	NUT	LOCKING	1
53	201105	BOLT	ADJUSTING	2
54	201130	BOLT	ADJUSTING	1
55	015812	NUT	LOCKING	3

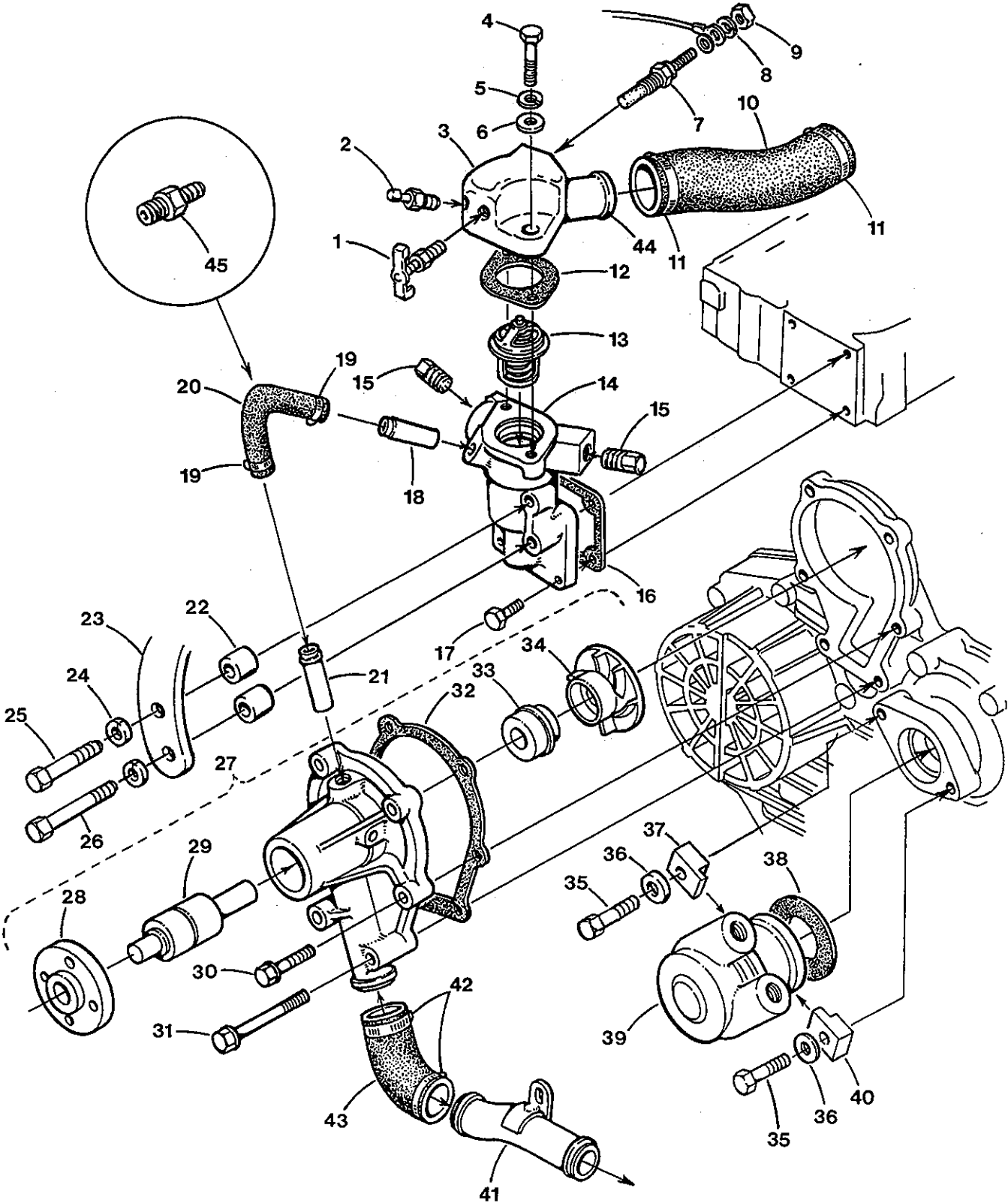
FUEL LIFT PUMP, SOLENOID AND FUEL RETURN



FUEL LIFT PUMP, SOLENOID AND FUEL RETURN

Reference #	Part #	Part Name	Remarks	Quantity
1-1	200595	GLOWPLUG	12VDC - M-25XPB	3
1-2	200595	GLOWPLUG	12VDC - M-3581 M-40B	4
2-1	200856	STRAP	GLOW PLUG CONNECTING - M-25XPB	1
2-2	200894	STRAP	GLOWPLUG CONNECTING - M-35B / M-40B	1
3	022513	ELBOW	ADAPTER	1
4	021485	ADAPTER	6/16 TUBE 1/2-20 MALE SW	1
5	017298	CLAMP	HOSE	1
6-1	039140	HOSE	FUEL,5/16 ID - M-25XPB - INCHES REQ'D	15
6-2	039140	HOSE	FUEL,5/16 ID - M-35B / M-40B - INCHES REQ'D	13
7	039275	PUMP	FUEL LIFT 12VDC	1
8	031750	NUT	HEX,1/4-20 MED (STEEL)	4
9	031752	LOCKWASHER	SPLIT 1/4 MED (STEEL)	4
10	031753	WASHER	FLAT, 1/4" SAE (STEEL)	4
11	013340	ELBOW	1/8 NPT 90 DEG STREET (BRASS)	1
12	031760	NUT	5/16-24 NF HEX (STEEL) ZINC	2
13	031758	LOCKWASHER	SPLIT, 5/16 MED (STEEL)	2
14	024639	SOLENOID	PREHEAT,24VDC	1
15	031847	NUT	HEX,10-32 MACHINE (STAINLESS)	2
16	031849	LOCKWASHER	SPLIT, 10 MED (STAINLESS)	2
17	039806	RESISTOR	ASSEMBLY, PROPULSION ALARM	1
18	036563	BREAKER	CIRCUIT,10 AMP	1
19	024955	CAPSCREW	M 10X 1.25 X45 DIN 960	1
20	019262	LOCKWASHER	M 10 DIN 127	1
21	031789	WASHER	M 10 DIN 125	1
22	043480	SCREW	HEX WASHER HD,8-32 X 7/8 SS	2
23	031843	WASHER	FLAT, 8 SS AN960	1
24	018811	CAPSCREW	M 8X40 DIN 931	1
25	200258	BRACKET	SOLENOID BREAKER PUMP	1
26	031503	CAPSCREW	1/4 NC X314	3
27	024683	BREAKER	CIRCUIT,20 AMP,12VDC	1
28	040384	CLAMP	HOSE, MINI	1
29	299830	CONNECTOR	FUEL RETURN ASSEMBLY	1
30	031753	WASHER	FLAT, 1/4" SAE (STEEL)	1
31	031505	CAPSCREW	1/4 NC X 1"	1
32	018242	NUT	M 8 DIN 934	1
33	031786	LOCKWASHER	M 8 DIN 127	1
34	042225	SPACER		2
35	031760	NUT	HEX 5/16 NF (STEEL ZINC)	2

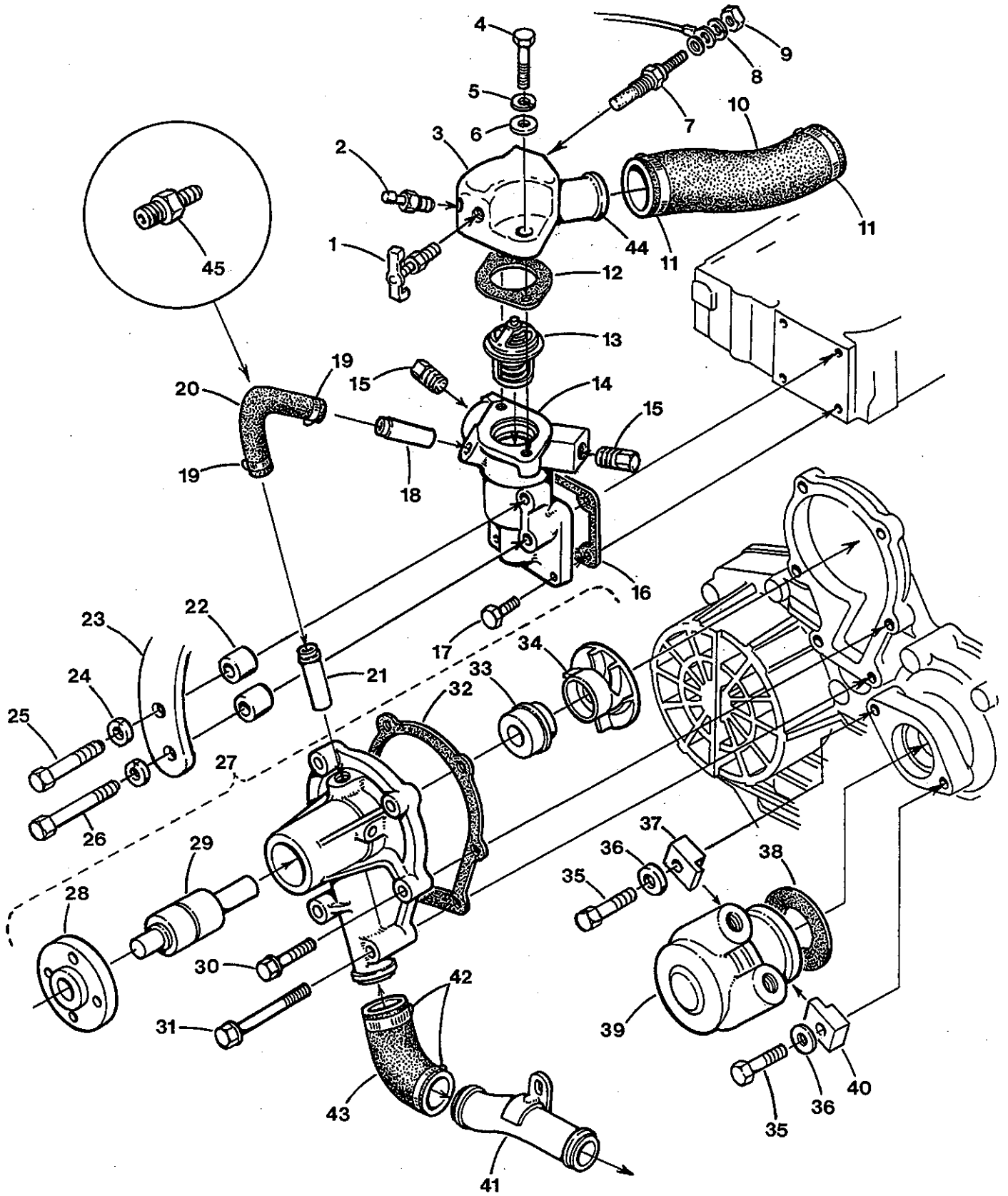
FRESH WATER COOLING SYSTEM



FRESH WATER COOLING SYSTEM

Reference #	Part #	Part Name	Remarks	Quantity
1	011471	PETCOCK	1/8NPT EXT SEAT (BRASS)	1
2	030125	SWITCH	WATER TEMPERATURE ALARM	1
3-1	200422	HOUSING	THERMOSTAT TO MAR 1998 - 38 MM	1
3-2	200502	HOUSING	THERMOSTAT FROM MAR 1998 - 44 MM	1
4-1	035790	CAPSCREW	M 6 X 50 JIS 4 W/LW TO MAR 1998	2
4-2	021558	CAPSCREW	M 8 X 35 DIN 933 FROM MAR 1998	2
5	031786	LOCKWASHER	M 8 DIN 127	2
6-1	031784	WASHER	M 6 DIN 125 TO MAR 1998	2
6-2	031787	WASHER	M 8 DIN 125 FROM MAR 1998	2
7-1	035109	SENDER	WATER TEMPERATURE	1
7-2	019369	PLUG	1/8 NPT	1
7-3	022131	BUSHING	1/4NPT TO 1/8NPT	1
8	031849	LOCKWASHER	10	1
9	031847	NUT	10-32	1
10-1	200428	HOSE	THERM TO MANIFOLD TO MAR 1998	1
10-2	015774	HOSE	1-1/8 WIRE INSERTED FROM MAR 1998	12
11	011405	CLAMP	HOSE 16	1
12-1	300237	GASKET	THERM - 301358 MM - TO MAR 1998	2
12-2	298843	GASKET	THERM - 201001 -44 MM - FROM MAR 1998	1
13-1	301358	THERMOSTAT	160F - 38 MM OD TO MAR 1998	1
13-2	201001	THERMOSTAT	160F - 44 MM OD FROM MAR 1998	1
14-1	200952	HOUSING	LOWER THERM INC #18-38 TO MAR 1998	1
14-2	200949	HOUSING	LOWER THERM INC #18-44 FROM MAR 1998	1
15	201000	PLUG	HEX HEAD	2
16	200863	GASKET	LOWER THERMOSTAT	1
17	035800	CAPSCREW	M 6 X 16 JIS W/LW	3
18	200824	NIPPLE	BYPASS	1
19	024906	CLAMP	HOSE 04 MINI	2
20-1	200823	HOSE	THERMOSTAT BYPASS	1
20-2	300236	HOSE	WATER HEATER OPTION	2
21	200822	NIPPLE	WATER PUMP BYPASS	1
22	044098	SPACER		2
23	200438	STRAP	ALTERNATOR ADJUSTING	1
24	031783	LOCKWASHER	M6 DIN 127	2
25	031824	CAPSCREW	M 6 X 35 DIN 933	1
26	034212	CAPSCREW	M 6 X 75 DIN 931	1
27-1	200820	PUMP, iINC. GASK	2.25" dia impeller to date code E412	1
27-2	201107	PUMP	2.75" dia. impeller post date code E501	1
28-1	200826	FLANGE	FRESH WATER, to date code E412	1
28-2	201111	FLANGE	FRESH WATER, post date code E501	1
29-1	200827	BEARING	FRESH WATER, to date code E412	1
29-2	201112	BEARING	FRESH WATER, post date code E501	1
30-1	043066	CAPSCREW	M 6 X 30 JIS 7 W/LOCKWASHER M-25XPB	4
30-2	041424	CAPSCREW	M 6 X 25 JIS-FLANGE DOG POINT - M-35B/M-	4
31-1	034398	CAPSCREW	M 6 X 80 DIN 931	2
31-2	031783	LOCKWASHER	M 8 DIN 127	2
32-1	200857	GASKET	F/W PUMP, paper gasket, to date code E412	1
32-2	301107	GASKET	F/W PUMP, stamped steel gasket post E501	1
33-1	200821	SEAL	FRESH WATER, to date code E412	1
33-2	201131	SEAL	FRESH WATER, post date code E501	1
34-1	200825	IMPELLER	2.25" dia., to date code E412	1
34-2	201110	IMPELLER	2.75" dia., post date code E501	1

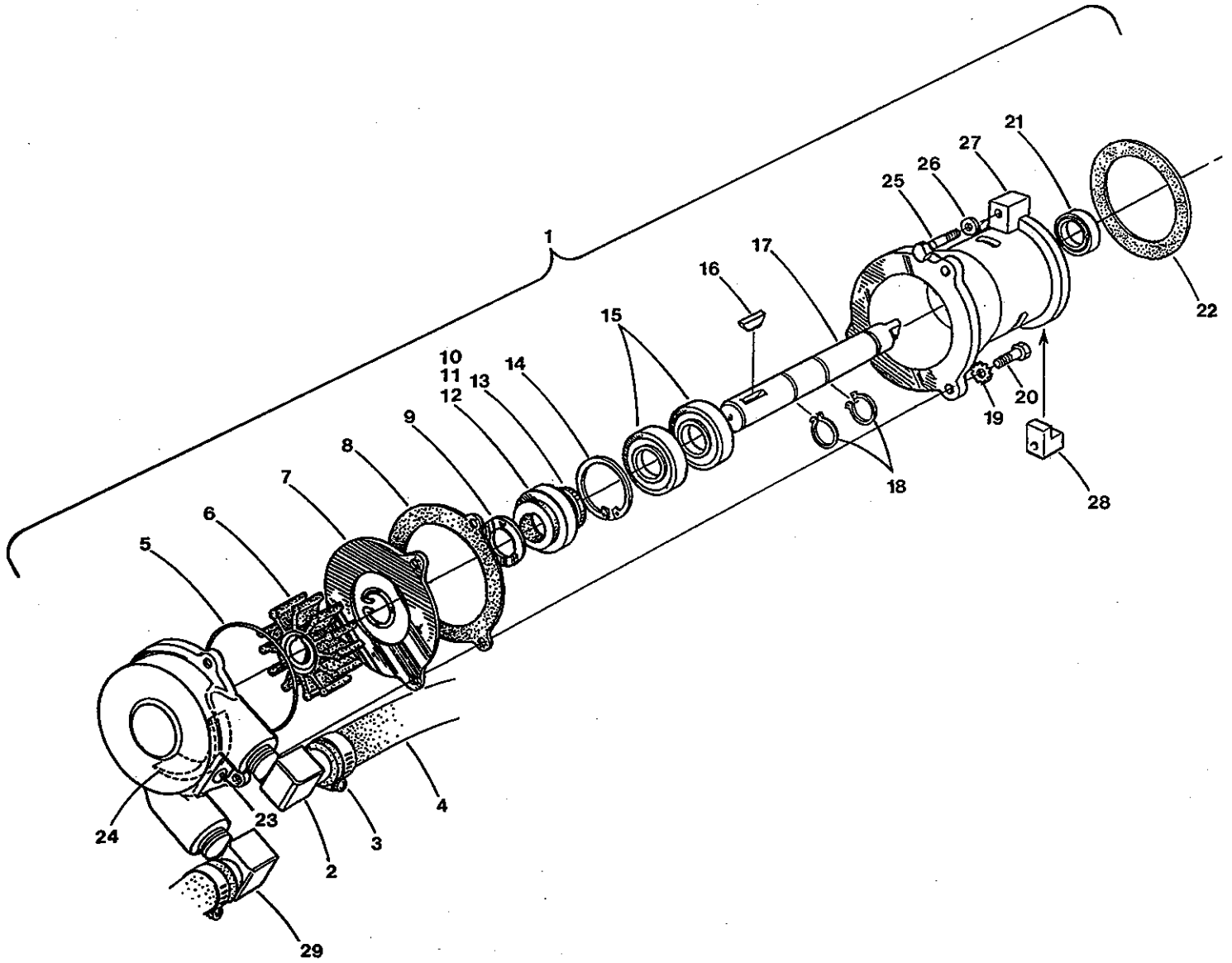
FRESH WATER COOLING SYSTEM



FRESH WATER COOLING SYSTEM

Reference #	Part #	Part Name	Remarks	Quantity
35	020628	CAPSCREW	M 6 X 25 DIN 933	2
36	031783	LOCKWASHER	M6 DIN 127	2
37	200419	CLAMP	RAW WATER PUMP MOUNT	1
38	302678	GASKET	RAW WATER PUMP MOUNT	1
39	042175	PUMP	RAW WATER	1
40	200418	CLAMP	RAW WATER MOUNT	1
41	200961	LINE	FRESH WATER PUMP	1
42	011405	CLAMP	HOSE 16	1
43	200819	HOSE	WATER PUMP, IN	1
44	200503	NIPPLE	3/4 NPT X 1-1/8 HOSE HOUSING 200502	1
45	302391	ADAPTER	HOSE 3/8 X 5/8 ID - HEATER OPTION	2

RAW WATER PUMP



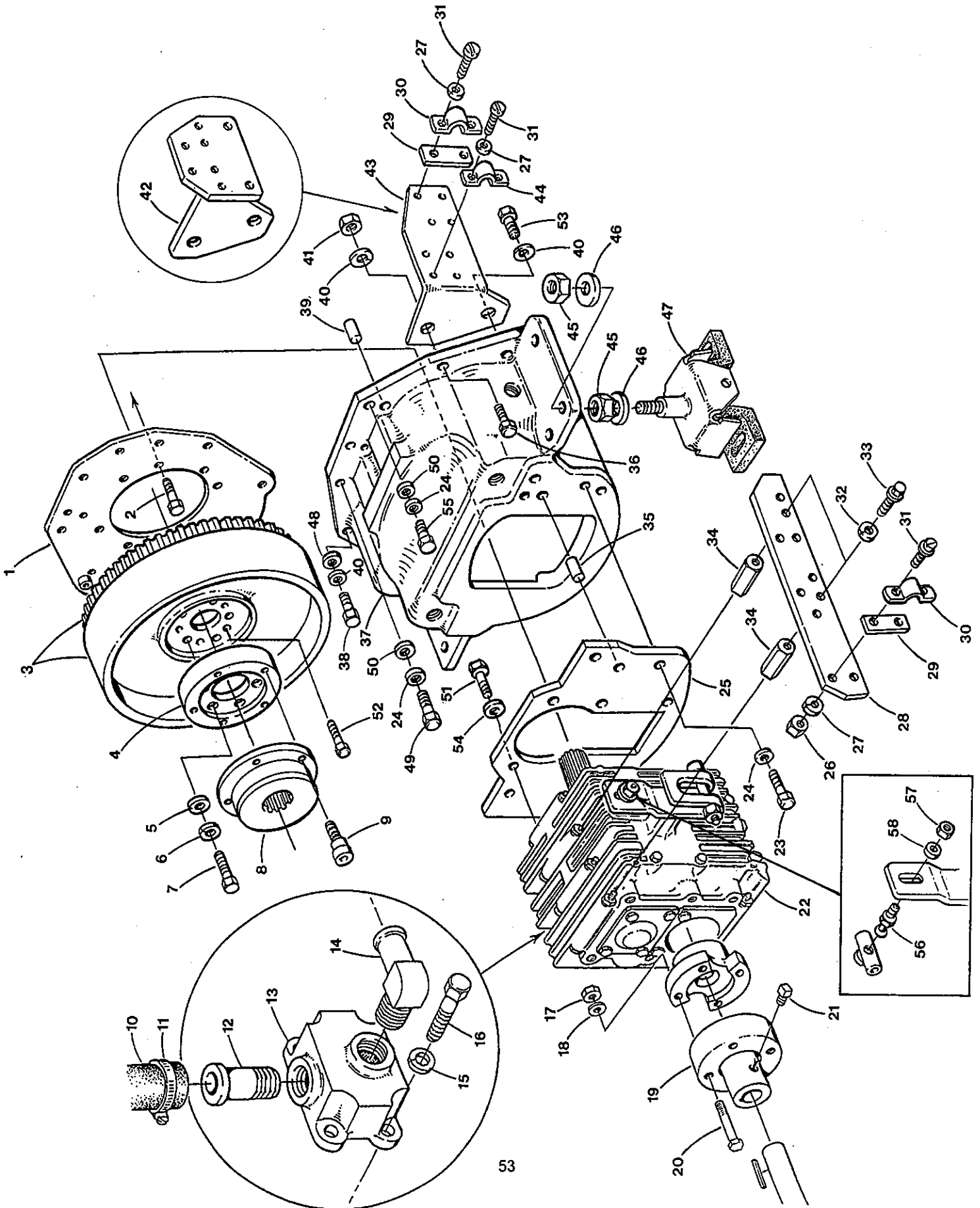
RAW WATER PUMP

Reference #	Part #	Part Name	Remarks	Quantity
1	042175	PUMP	RAW WATER INC REF #S 5 - 21, 23, 24	1
2	030183	ELBOW	1/2 NPT X 7/8 HOSE 90 DEG	1
3	011386	CLAMP	HOSE 12	1
4	019059	HOSE	7/8 INCH WIRE INSERTED - INCHES REQ'D	26
5	302877	O-RING		1
6	200175	IMPELLER KIT	INCLUDES REF #S 5,6 & 8	1
7	302878	PLATE	PUMP END	1
8	302879	GASKET	PUMP	1
9	302876	WASHER	FLAT	1
10	302885	SEAL	PUMP,ASSEMBLY	1
11	302880	SEAT	SEAL	1
12	302881	SEAL	WATER PUMP	1
13	302866	SLINGER	PUMP	1
14	018146	RING	RETAINING (INTERNAL)	1
15	302884	BEARING	BALL	2
16	302874	KEY	WOODRUFF #61	1
17	200536	SHAFT	WATER PUMP	1
18	018145	RING	RETAINING (EXTERNAL)	3
19	032183	LOCKWASHER	1/4	3
20	018143	CAPSCREW	IMPELLER COVER	3
21	303172	SEAL	PUMP	1
22	302678	GASKET	RAW WATER PUMP MOUNT	1
23	302871	SCREW	CAM	1
24	302872	CAM	PUMP	1
25	020628	CAPSCREW	M 6 X 25 DIN 933	2
26	031783	LOCKWASHER	M 6 DIN 127	2
27	200419	CLAMP	RAW WATER PUMP MOUNT	1
28	200418	CLAMP	RAW WATER MOUNT	1
29	302217	ELBOW	1/2 NPT x 5/8 HOS, 90 DEG	1
30	200176	PUMP KIT	REBUILD	1

BELL HOUSING AND TRANSMISSION

Reference #	Part #	Part Name	Remarks	Quantity
1	200741	PLATE	BACK END	1
2	300172	BOLT	PLATE	8
3-1	200957	FLYWHEEL	ASSEMBLY - M-25XPB	1
3-2	200950	FLYWHEEL	ASSEMBLY - M-35B / M-40B	1
3-3	299505	GEAR	RING	1
4	200444	ADAPTER	DAMPER PLATE MOUNTING	1
5	031789	WASHER	M 10 DIN 125	6
6	019262	LOCKWASHER	M 10 DIN 127	6
7	024952	CAPSCREW	M 10 X 1.25 X 25 DIN 961	6
8	044624	DAMPER		1
9	200443	SCREW	SHOULDER, DAMPER	5
10	011779	HOSE	WIRE INSERTED - INCHES REQ'D	21
11	011405	CLAMP	HOSE 16	2
12	036622	NIPPLE	HOSE 3/4NPT TO 1	1
13	040036	COOLER	HBW TRANSMISSION - OPTIONAL	1
14	036614	ELBOW	HOSE 3/4 NPT TO 1	1
15	031786	LOCKWASHER	M 8 DIN 127	4
16	017196	CAPSCREW	M 8 X 20 DIN 933	4
17	024950	NUT	M 10 X 1.25 DIN 934	4
18	019262	LOCKWASHER	M 10 DIN 127	4
19-1	023706	COUPLING	HBW, 0.75 BORE	1
19-2	023707	COUPLING	HBW, 0.875 BORE	1
19-3	023708	COUPLING	HBW, 1.0 BORE	1
19-4	023709	COUPLING	HBW, 1.125 BORE	1
19-5	023710	COUPLING	HBW, 1.25 BORE	1
19-6	023711	COUPLING	HBW, 1.375 BORE	1
19-7	023712	COUPLING	HBW, 1.5 BORE	1
20	031228	CAPSCREW	M 10 X 1.25 X 30 DIN 961	4
21	023652	SETSCREW	COUPLING 3/8 NC X 1	2
22-1	300115	TRANSMISSION	2:1 HBW 50-2R - M-25XPB	1
22-2	300116	TRANSMISSION	1.8:1 HBW100-2R - M-35B	1
22-3	300117	TRANSMISSION	1.9:1 HBW150-2R M-40B	1
22-4	299942	TRANSMISSION	2.1:1 HBW150V-2R - V-DRIVE OPTION	1
23	013629	CAPSCREW	M 10X 25 DIN 933	6
24	019262	LOCKWASHER	M 10 DIN 127	8
25-1	200333	ADAPTER	HBW 35-160	1
25-2	200371	ADAPTER	HBW 150V - V-DRIVE OPTION	1
26	031847	NUT	HEX,10-32 MACHINE (STAINLESS)	2
27	031849	LOCKWASHER	SPLIT, 10 MED (STAINLESS)	6
28	032161	BRACKET	SHIFT CABLE	1
29	013870	SHIM	CABLE CLAMP	2
30	013325	CLAMP	CABLE	2
31	031873	SCREW	10-32 X 5/8 (STAINLESS)	6
32	031786	LOCKWASHER	M 8 DIN 127	2
33	013630	CAPSCREW	M 8 X 25 DIN 933	2
34	030756	NUT	PILLAR, M 8 X 1.25	2
35	019039	DOWEL		2
36	018811	CAPSCREW	M 8 X 40 DIN 931	1
37	200366	HOUSING	FLYWHEEL	1
38	298539	CAPSCREW	M 8 X 28 DIN 933	5
39	301037	DOWEL		2
40	031786	LOCKWASHER	M 8 DIN 127	7
41	018242	NUT	M 8 DIN 934	1

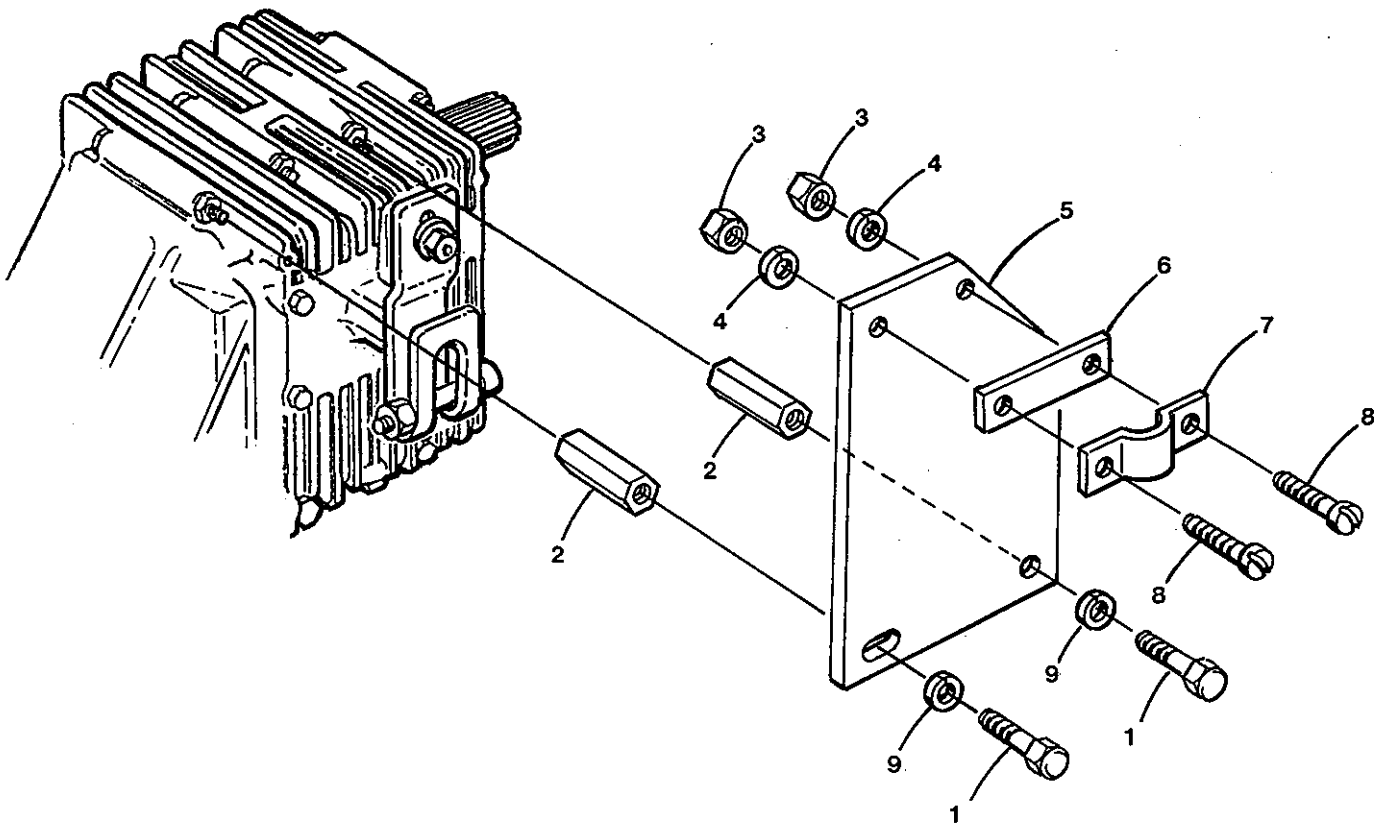
BELL HOUSING AND TRANSMISSION



BELL HOUSING AND TRANSMISSION

Reference #	Part #	Part Name	Remarks	Quantity
42	200433	BRACKET	THROTTLE CONTROL CABLE - M-25XPB	1
43	200434	BRACKET	THROTTLE CONTROL BRACKET - M-35B / M-	1
44	013871	CLAMP	FUEL SHUT-OFF CABLE	1
45	040966	NUT	JAM M 16, SELF-LOCKING	2
46	031828	WASHER	FLAT, 5/8 SAE (STEEL)	2
47	040510	ISOLATOR	MARINE 75-130 LB.	2
48	031787	WASHER	M 8 DIN 125	5
49	024953	CAPSCREW	M 10 X 1.25 X 35 DIN 961	1
50	031789	WASHER	M 10 DIN 125	2
51-1	020650	CAPSCREW	M 8 X 18 DIN 933	6
51-2	018813	CAPSCREW	M 10 X 20 DIN 933	6
52	0200796	BOLT	FLYWHEEL	6
53	013630	CAPSCREW	M 8 X 25 DIN 933	1
54-1	031788	LOCKWASHER	M 8 DIN 127	6
54-2	019262	LOCKWASHER	M 10 DIN 127	6
55	024955	CAPSCREW	M 10X 1,25X45 DIN 960	1
56	033482	BALLJOINT	SHIFT CABLE	1
57	031754	NUT	1/4 NF	1
58	031752	LOCKWASHER	1/4	1

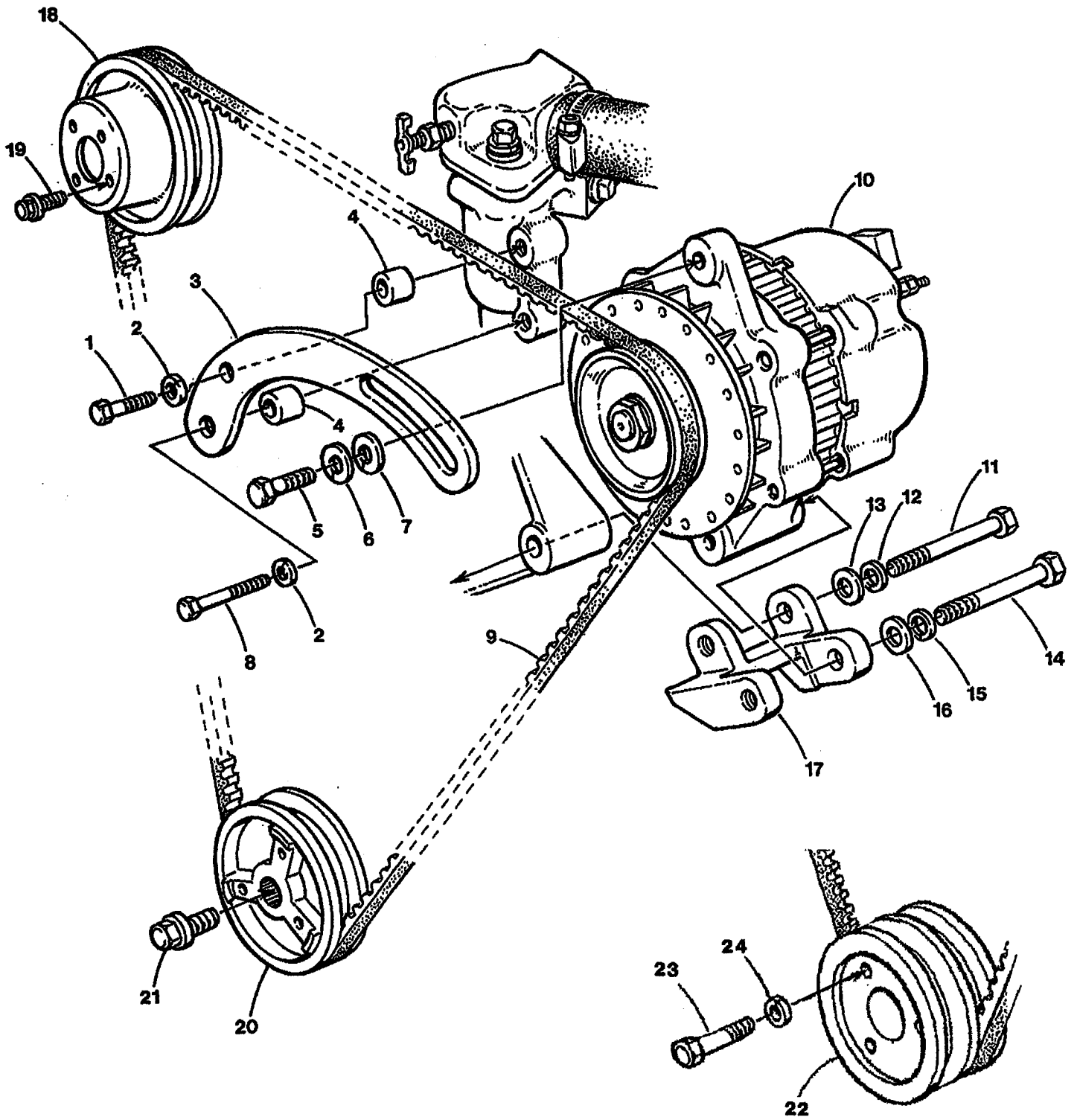
MODEL HBW VERTICAL SHIFTING BRACKET



MODEL HBW VERTICAL SHIFTING BRACKET

Reference #	Part #	Part Name	Remarks	Quantity
1	013630	CAPSCREW	M 8 X 25 DIN 933	2
2	030756	NUT	PILLAR, M 8 X 1.25	2
3	031847	NUT	HEX, 10-32 MACHINE (STAINLESS)	2
4	031849	LOCKWASHER	SPLIT, 10 MED (STAINLESS)	2
5	030181	BRACKET	SHIFT CABLE-TOP ENTRY-HBW GEAR	1
6	013870	SHIM	SHIFT CABLE CLAMP BOTTOM	1
7	013325	CLAMP	SHIFT CABLE	1
8	031873	SCREW	10-32 X 5/8 (STAINLESS)	2
9	031786	LOCKWASHER	M 8 DIN 127	2

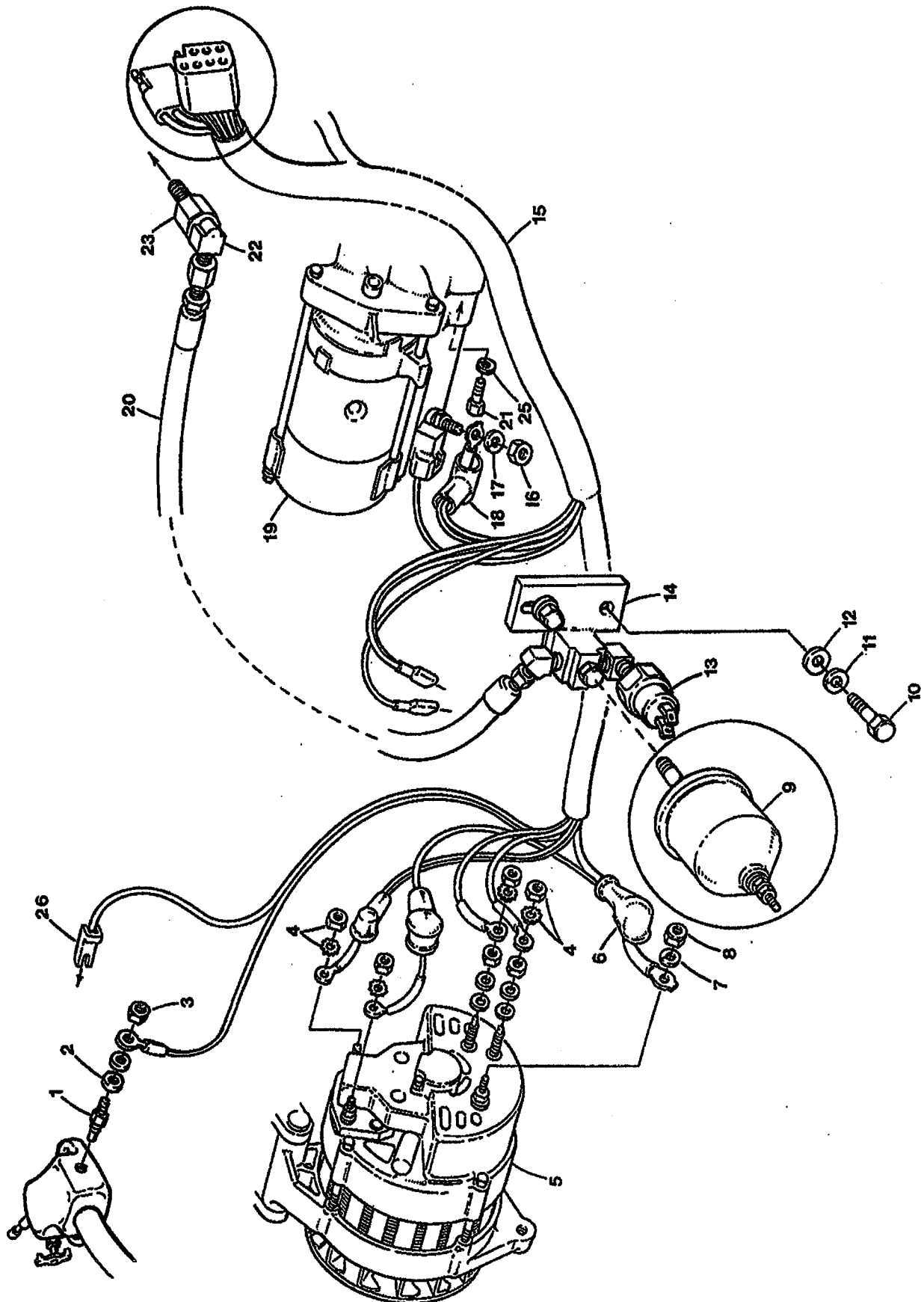
ALTERNATOR ASSEMBLY



ALTERNATOR ASSEMBLY

Reference #	Part #	Part Name	Remarks	Quantity
1	031824	CAPSCREW	M 6 X 35 DIN 933	1
2	031783	LOCKWASHER	M6 DIN 127	2
3	200438	STRAP	ALTERNATOR ADJUSTING	1
4	044098	SPACER		2
5	031555	CAPSCREW	5/16NC X 1	1
6	031758	LOCKWASHER	SPLIT, 5/16 MED (STEEL)	1
7	033381	WASHER	FLAT	1
8	034212	CAPSCREW	M 6 X 75 DIN 931	1
9	030475	BELT	FAN, 39.5 X0	1
10-1	041017	ALTERNATOR	12VDC, 51A	1
10-2	300746	ALTERNATOR	12VDC, 72A W/AC TAP - OPTIONAL	1
10-3	042835	SPACER	72AMP ALT MOUNT EXPANSION 1" to 2"	1
10-4	055047	SPACER	Front 72A factory installed post date code KH	1
10-5	055046	SPACER	Rear 72A factory installed post date code KH	1
11	031822	CAPSCREW	M 10 X 1.25 X 75-DIN 960	1
12	019262	LOCKWASHER	M 10 DIN 127	1
13	031789	WASHER	M 10 DIN 125	1
14	031613	CAPSCREW	3/8NC X 3	1
15	031764	LOCKWASHER	SPLIT 3/8 (STEEL)	1
16	031765	WASHER	FLAT, 3/8 (STEEL)	1
17	200436	BRACKET	ALTERNATOR	1
18	200828	PULLEY	FRESH WATER PUMP	1
19	034565	CAPSCREW	M 6 X 10 MS-FLANGE	4
20-1	200730	PULLEY	CRANKSHAFT - M-25XPB	1
20-2	200840	PULLEY	CRANKSHAFT - M-35B/M-40B	1
21	200829	BOLT	CRANKSHAFT PULLEY	1
22	200535	PULLEY KIT	ACCESORY, 1 GR 3/8" INC REF 23, 24	1
23	031228	BOLT	CAPSCREW M10	3
24	019262	WASHER	LOCKWASHER M10	3

ELECTRICAL SYSTEM



ELECTRICAL SYSTEM

Reference #	Part #	Part Name	Remarks	Quantity
1	035109	SENDER	WATER TEMPERATURE	1
2	031849	LOCKWASHER	10	1
3	031847	NUT	10-32	1
4	031904	NUT	10-24, KEPS (STAINLESS)	4
5-1	041017	ALTERNATOR	12VDC, 51A	1
5-2	300746	ALTERNATOR	12VDC, 72A W/AC TAP	1
6-1	303109	BOOT	ALTERNATOR	2
6-2	034472	BOOT	TERMINAL - NOT SHOWN	1
7	031752	LOCKWASHER	SPLIT 1/4 MED (STEEL)	1
8	031750	NUT	HEX, 1/4-20 MED (STEEL)	1
9	024132	SENDER	OIL PRESSURE, 12VDC, 100 PSI	1
10	024951	CAPSCREW	M 10X 1.25 X 20 DIN 961	2
11	019262	LOCKWASHER	M 10 DIN /27	2
12	031789	WASHER	M 10 DIN 125	2
13	037323	SWITCH	OIL PRESSURE, NO. 5	1
14	032480	BRACKET	OIL PRESSURE SENDER	1
15-1	200260	HARNESS	MARINE	1
15-2	200268	HARNESS	MARINE - CATALINA OPTION	1
16	018242	NUT	M 8 DIN 934	1
17	031786	LOCKWASHER	M 8 DIN 127	1
18	303107	BOOT	STARTER	1
19-1	200948	MOTOR	STARTER - M-25XPB	1
19-2	200546	MOTOR	STARTER - M-359 I M-40B	1
20	039385	HOSE	OIL	1
21	013619	CAPSCREW	M 8 X 30DIN 933	2
22	015122	ELBOW	1/8NPT TO 45 DEG STREET (STEEL)	1
23	024844	ADAPTER	1/8 BSPT TO 1/8 NPT	1
25	031786	LOCKWASHER	M 8 DIN 127	2
26-1	030090	TERMINAL	MINUS INSULATOR	1
26-2	030091	INSULATOR	TERMINAL 30090	1

PROPULSION INSTRUMENT PANELS

Reference #	Part #	Part Name	Remarks	Quantity
1	200350	PANEL	ADMIRAL W/ALARM & SENDERS	1
2	030913	SCREW	SLOTTED PAN HEAD 10 X 2 SS	1
3	030119	COVER	PANEL REAR	1
5	042893	LAMP	INSTRUMENT 12VDC INCL HOLDER	3
6	037601	METER	WATER TEMPERATURE	1
7	037603	METER	OIL PRESSURE	1
8	039827	PANEL	PLATE	1
9	033693	KEYSWITCH	OFF/ON	1
10	030003	NUT	NYLON LOCKING 6-32	1
11	033684	COVER	FACEPLATE	1
12	030002	SPACER	NYLON	1
13	024996	WINDOW	KEYSWITCH COVER	1
14	030001	SCREW	NYLON 6-32 X 1/2 WASHER HD	1
15	037605	VOLTMETER	12VDC	1
16	033682	DECAL	SWITCH IDENTIFICATION	1
17	030148	CABLE	PANEL TO ENGINE 8 PIN	1
18-1	033764	SWITCH	PUSHBUTTON START/PREHEAT	2
18-2	019031	CAP	SWITCH COVER REPLACEMENT	2
19	011917	METER	TACHOMETER-HOUR	1
20	036829	ALARM	ASSEMBLY	1
21	035825	WIRE	POWER TO METER LAMPS	3
22	039144	DIAGRAM	WIRING ENGINE	1
23	200362	PANEL	CAPTAIN	1
24	036590	METER	TACHOMETER	1
25	039828	PANEL	PLATE	1
26-1	036479	SWITCH	TEST	1
26-2	038490	CAP	SWITCH	1
27	013355	BUZZER	ALARM	1
28	030946	PLUG	NYLON	1
29-1	024947	LAMP	12VDC	3
29-2	036483	HOLDER	LAMP	3
30	038626	HARNESS	PANEL TO ENGINE 4 PIN	1
31	036627	HARNESS	PANEL TO ENGINE 8 PIN	1
32	036477	TERMINAL-DIODE	ASSEMBLY	1
33	038049	SPACER	TERMINAL-DIODE ASSEMBLY	2
34	039769	PLATE	UNIVERSAL LOGO	1
35	200360	DIAGRAM	WIRING ENGINE - CATALINA	1
36	036630	DRAWING	TEMPLATE TO INSTALL EITHER PANEL	1

NOTES

MISCELLANEOUS

Reference #	Part #	Part Name	Remarks	Quantity
1	200522	KIT A	M-25XPB, M-35B, M-40B SPARE PARTS	1
2-1	201038	KIT B	M-25XPB - EXTENDED CRUISE	1
2-2	201039	KIT B	M-35B - EXTENDED CRUISE	1
2-3	201040	KIT B	M-40B - EXTENDED CRUISE	1
3-1	201030	GASKET SET	UPPER - M-25XPB	1
3-2	201029	GASKET SET	COMPLETE - M-25XPB	1
3-3	201034	GASKET SET	UPPER - M-35B	1
4-1	201032	GASKET SET	COMPLETE- M-35B	1
4-2	201035	GASKET SET	UPPER - M-40B	1
4-3	201037	GASKET SET	COMPLETE - M-40B	1
5	032974	FILTER	PRIMARY FUEL SEPERATOR	1
6	015010	STRAINER	RAW WATER	1
7	033327	VALVE	ANTI-SIPHON	1
8	302981	PAINT	BLUE AEROSOL SPRAY CAN	1
9	201016	KIT	FUEL HARDWARE	1
10-1	030760	HARNESS	15 FT. PANEL EXTENSION 8 PIN	1
10-2	036557	HARNESS	15 FT. PANEL EXTENSION 4 PIN	1
11	040078	FILTER KIT	REMOTE LUBE OIL	1
13	200550	MANUAL	OPERATOR - UNIVERSAL "8" SERIES	1
14	200554	MANUAL	SERVICE - M-25XPB/M-35B/M-40B	1
15	024177	KIT	REMOTE FRESH WATER SURGE TANK	1
16	262249	PUMP	SUMP HAND	1
17	200620	HOSE KIT	M-25XPB	1
18	200621	HOSE KIT	M-35B/40B	1

Numerical Parts index

Part #	Page	Ref.	Part #	Page	Ref.	Part #	Page	Ref.
011386	26	14	015812	42	55	019369	6	15
011386	50	3	016789	6	23-1	019369	8	15
011405	26	3	016789	8	23-1	019369	46	7-2
011405	46	11	016789	10	1-1	020628	16	28-1
011405	48	42	016789	12	1-1	020628	18	29-1
011405	52	11	017196	2	3-1	020628	48	35
011471	26	18	017196	4	3-1	020628	50	25
011471	46	1	017196	28	20	020650	54	51-1
011779	52	10	017196	30	22	021485	44	4
011796	40	13	017196	52	16	021558	46	4-2
011885	26	17	017298	28	27	021878	26	35
011917	62	19	017298	30	29	022131	46	7-3
011925	14	33	017298	44	5	022513	44	3
013325	52	30	018143	50	20	022850	26	11
013325	56	7	018145	50	18	022851	26	9
013340	6	18	018146	50	14	022852	26	12
013340	6	29	018242	44	32	023652	52	21
013340	8	18	018242	52	41	023706	52	19-1
013340	8	29	018242	60	16	023707	52	19-2
013340	44	11	018804	16	27-1	023708	52	19-3
013341	2	11	018804	18	28-1	023709	52	19-4
013341	4	11	018811	44	24	023710	52	19-5
013348	14	32	018811	52	36	023711	52	19-6
013355	62	27	018813	26	5	023712	52	19-7
013619	60	21	018813	54	51-2	024132	60	9
013629	6	25-2	019031	62	18-2	024177	64	15
013629	8	25-2	019039	52	35	024306	26	2
013629	52	23	019059	26	15	024637	26	24
013630	52	33	019059	50	4	024639	44	14
013630	54	53	019262	2	15	024683	44	27
013630	56	1	019262	4	15	024704	26	27-2
013870	52	29	019262	6	13	024786	26	26
013870	56	6	019262	8	13	024844	6	8
013871	54	44	019262	26	6	024844	8	8
015010	64	6	019262	28	21	024844	60	23
015122	6	10	019262	30	23	024858	26	25
015122	6	16	019262	44	20	024905	6	28
015122	8	10	019262	52	6	024905	8	28
015122	8	16	019262	52	18	024906	26	28
015122	60	22	019262	52	24	024906	46	19
015774	26	29	019262	54	54-2	024907	26	1
015774	46	10-2	019262	58	12	024922	6	27
015812	14	21	019262	58	24	024922	8	27
015812	14	28	019262	60	11	024947	62	29-1
015812	40	3	019321	26	10	024950	52	17

Numerical Parts index

Part #	Page	Ref.	Part #	Page	Ref.	Part #	Page	Ref.
024951	2	16	031752	44	9	031786	4	3-2
024951	4	16	031752	54	58	031786	6	23-2
024951	6	14	031752	60	7	031786	8	23-2
024951	8	14	031753	6	26	031786	10	1-2
024951	60	10	031753	8	26	031786	12	1-2
024952	28	22	031753	40	9	031786	28	19
024952	30	24	031753	42	48	031786	30	21
024952	52	7	031753	44	10	031786	44	33
024953	54	49	031753	44	30	031786	46	5
024955	44	19	031754	40	11	031786	52	15
024955	54	55	031754	54	57	031786	52	32
024977	26	27-1	031756	28	24	031786	52	40
024996	62	13	031756	30	26	031786	56	9
030001	62	14	031758	28	23	031786	60	17
030002	62	12	031758	30	25	031786	60	25
030003	62	10	031758	44	13	031787	46	6-2
030090	60	26-1	031758	58	6	031787	54	48
030091	60	26-2	031759	28	28	031788	54	54-1
030119	62	3	031759	30	30	031789	6	12
030125	46	2	031760	44	12	031789	8	12
030146	14	15-1	031760	44	35	031789	26	7
030148	62	17	031764	58	15	031789	44	21
030181	56	5	031765	58	16	031789	52	5
030183	50	2	031783	14	15-2	031789	54	50
030475	58	9	031783	14	16-2	031789	58	13
030756	52	34	031783	14	22	031789	60	12
030756	56	2	031783	14	27	031822	58	11
030760	64	10-1	031783	16	27-2	031824	46	25
030848	6	5	031783	16	28-2	031824	58	1
030848	8	5	031783	18	28-2	031828	2	14
030913	62	2	031783	18	29-2	031828	4	14
030946	62	28	031783	22	18-2	031828	54	46
031228	52	20	031783	24	18-2	031843	44	23
031228	58	23	031783	28	36	031847	44	15
031503	14	35	031783	30	40	031847	46	9
031503	44	26	031783	30	44	031847	52	26
031505	44	31	031783	40	4	031847	56	3
031555	28	29	031783	46	24	031847	60	3
031555	30	31	031783	46	31-2	031849	44	16
031555	58	5	031783	48	36	031849	46	8
031613	58	14	031783	50	26	031849	52	27
031750	44	8	031783	58	2	031849	56	4
031750	60	8	031784	40	15	031849	60	2
031752	14	36	031784	46	6-1	031873	52	31
031752	40	10	031786	2	3-2	031873	56	8

Numerical Parts index

Part #	Page	Ref.	Part #	Page	Ref.	Part #	Page	Ref.
031904	60	4	036483	62	29-2	039806	44	17
031935	26	37	036493	6	4	039827	62	8
032161	52	28	036493	8	4	039828	62	25
032175	14	13	036541	26	31	039874	28	38
032183	50	19	036557	64	10-2	039874	30	43
032480	6	11	036563	44	18	040036	52	13
032480	8	11	036590	62	24	040073	14	37
032480	60	14	036614	26	13	040074	14	34
032974	64	5	036614	26	33-1	040075	14	31
033327	64	7	036614	52	14	040078	14	29
033381	58	7	036616	26	33-2	040078	64	11
033482	40	8	036622	52	12	040384	28	11
033482	54	56	036627	62	31	040384	30	12
033682	62	16	036630	62	36	040384	44	28
033684	62	11	036647	6	6	040510	2	19
033693	62	9	036647	8	6	040510	4	19
033764	62	18-1	036823	6	3	040510	54	47
034212	46	26	036823	8	3	040622	30	15
034212	58	8	036829	62	20	040822	28	13
034398	46	31-1	036849	26	34-1	040966	2	13
034472	60	6-2	036869	28	12	040966	4	13
034565	58	19	036869	30	13	040966	54	45
034663	14	38	036918	14	39	041017	58	10-1
035109	46	7-1	037323	6	17	041017	60	5-1
035109	60	1	037323	8	17	041424	46	30-2
035747	26	34-2	037323	60	13	042175	48	39
035785	6	7	037393	6	2	042175	50	1
035785	8	7	037393	8	2	042225	28	17
035785	32	6	037601	62	6	042225	30	19
035785	34	6	037603	62	7	042225	44	34
035789	6	25-1	037605	62	15	042289	26	36
035789	8	25-1	038049	62	33	042296	26	21-1
035789	14	20	038490	62	26-2	042296	26	21-2
035790	46	4-1	038500	40	17-2	042835	58	10-3
035799	36	29	038626	62	30	042893	62	5
035799	38	29	039140	28	30	043065	22	16
035799	40	23	039140	30	32	043065	24	16
035800	36	35	039140	44	6-1	043065	32	1
035800	38	35	039140	44	6-2	043065	34	1
035800	40	17-1	039144	62	22	043066	22	17
035800	46	17	039275	44	7	043066	24	17
035825	62	21	039385	6	9	043066	46	30-1
036425	26	32	039385	8	9	043480	44	22
036477	62	32	039385	60	20	044098	46	22
036479	62	26-1	039769	62	34	044098	58	4

Numerical Parts index

Part #	Page	Ref.	Part #	Page	Ref.	Part #	Page	Ref.
044497	36	28	200443	52	9	200647	38	17
044497	38	28	200444	52	4	200648	40	38-2
044624	52	8	200446	26	20-1	200649	42	52
045545	42	47	200446	26	20-2	200650	42	41-3
046947	26	38	200456	2	35	200671	18	23-1
053322	22	1-2	200457	4	35-1	200673	40	16
053322	24	1-2	200486	26	30-2	200676	16	12-2
054143	22	21	200488	26	30-1	200676	18	12-2
054143	24	21	200502	46	3-2	200677	16	12-3
054147	22	20	200503	48	44	200677	18	12-3
054147	24	20	200522	64	1	200689	14	19
055046	58	10-5	200535	58	22	200696	32	10
055047	58	10-4	200536	50	17	200697	10	3
200175	50	6	200546	60	19-2	200698	28	35
200176	50	30	200550	64	13	200699	28	49
200258	44	25	200554	64	14	200699	30	49
200260	60	15-1	200573	28	34-1	200701	28	7-1
200268	60	15-2	200574	28	33	200701	28	10-1
200333	52	25-1	200575	28	32-1	200701	30	8-1
200350	62	1	200595	44	1-1	200702	30	11-1
200360	62	35	200595	44	1-2	200703	28	8
200362	62	23	200617	28	16	200703	30	9
200366	52	37	200617	30	18	200704	28	9
200371	52	25-2	200624	14	23-1	200704	30	10
200418	48	40	200625	40	27	200705	34	10
200418	50	28	200626	36	1	200706	30	36-1
200419	48	37	200628	16	20	200707	30	35
200419	50	27	200630	40	7-2	200708	30	34-1
200421	26	16-1	200631	14	7-2	200709	12	3-1
200422	46	3-1	200632	8	24	200710	16	4-1
200428	46	10-1	200633	14	6-2	200710	18	4-1
200429	22	7-1	200634	18	20	200711	16	4-2
200429	24	7-1	200635	24	2	200711	18	4-3
200432	26	23-1	200636	2	28	200712	12	3-3
200432	26	23-2	200637	38	8	200713	18	4-2
200433	54	42	200641	2	34	200714	18	4-4
200434	54	43	200641	4	34	200715	30	37
200435	2	17	200642	14	9	200716	40	34-2
200435	4	17	200644	32	13-1	200716	40	37
200436	58	17	200644	34	13	200718	40	34-1
200438	46	23	200645	32	11-1	200719	40	33-1
200438	58	3	200645	34	11-1	200720	40	33-2
200439	26	16-2	200646	32	8-1	200721	40	38-1
200442	2	18	200646	34	8-1	200721	42	49
200442	4	18	200647	36	17	200722	4	29

Numerical Parts index

Part #	Page	Ref.	Part #	Page	Ref.	Part #	Page	Ref.
200724	4	28	200754	10	6	200781	16	14
200725	4	5	200754	12	6	200781	18	14
200726	40	30-2	200756	38	6	200782	16	17-1
200727	40	20	200757	36	4	200782	18	17-1
200728	8	1	200757	38	4	200783	16	9-1
200729	4	26	200758	36	5	200783	18	9-1
200730	58	20-1	200758	38	5	200784	16	11-1
200731	10	11	200759	38	12	200785	16	11-2
200732	16	15	200760	36	11	200785	18	11-2
200733	12	2	200760	38	11	200786	16	11-3
200734	10	9	200761	36	7	200786	18	11-3
200734	12	9	200761	38	7	200787	16	17-2
200735	10	4	200763	36	3	200787	18	17-2
200735	12	4	200763	38	3	200788	16	17-3
200736	16	33	200764	36	2	200788	18	17-3
200736	20	34	200765	24	3-1	200789	16	9-2
200737	14	18	200765	36	6	200789	18	9-2
200738	16	26	200767	36	23	200790	16	9-3
200738	18	27	200767	38	23	200790	18	9-3
200739	16	22	200768	24	4	200791	16	18
200739	16	32	200768	36	26	200791	18	18
200739	18	22	200768	38	26	200792	36	36
200739	20	33	200769	32	7	200792	38	36
200740	16	25	200769	34	7	200793	36	30
200740	18	26	200770	36	27	200793	38	30
200741	52	1	200770	38	27	200794	36	34
200742	16	29	200771	16	3	200794	38	34
200742	20	30	200771	18	3	200795	36	31
200743	22	11	200772	16	2	200795	38	31
200743	24	11	200772	18	2	200796	54	52
200744	22	9	200773	16	6	200797	2	31
200744	24	9	200773	18	6	200797	4	31
200745	22	12	200774	16	5	200798	14	3
200745	24	12	200774	18	5	200799	14	4-1
200747	22	8-1	200775	16	8	200800	16	19
200747	24	8-1	200775	18	8	200800	18	19
200748	22	10	200776	16	7-1	200801	14	10
200748	24	10	200776	18	7-1	200802	14	8
200749	24	15	200777	16	7-2	200803	32	3
200750	36	19	200777	18	7-2	200803	34	3
200750	38	20	200778	16	7-3	200804	32	4
200751	36	20	200778	18	7-3	200804	34	4
200751	38	19	200779	18	15-1	200805	40	40
200753	10	6	200780	16	21	200806	32	18
200753	12	5	200780	18	21	200806	34	18

Numerical Parts index

Part #	Page	Ref.	Part #	Page	Ref.	Part #	Page	Ref.
200807	32	20	200840	58	20-2	200879	30	14
200807	34	20	200841	18	25-2	200880	16	30
200808	32	21	200842	18	24-2	200880	28	3
200808	34	21	200843	22	14	200880	30	3
200809	32	22	200844	22	15	200881	28	4
200809	34	22	200845	26	22-1	200881	30	4
200810	32	17	200846	36	12	200882	28	5
200810	34	17	200847	22	3-1	200882	30	5
200811	32	16	200848	22	4	200883	30	6
200811	34	16	200849	36	24	200884	34	15-2
200812	32	14	200849	38	24	200885	2	23
200812	34	14	200850	36	22	200885	4	23
200813	40	29	200851	18	1-2	200886	32	12
200814	40	26	200852	18	1-4	200886	34	12-1
200815	40	24	200853	28	42	200887	40	19
200816	40	28	200854	2	29	200888	40	30-1
200817	40	36	200855	40	32-1	200889	40	32-2
200818	40	6	200856	44	2-1	200890	40	1-1
200819	48	43	200857	46	32-1	200891	40	5
200820	46	27-1	200858	14	2	200892	40	14
200821	46	33-1	200859	16	31	200893	40	21
200822	46	21	200859	20	32	200894	44	2-2
200823	46	20-1	200860	20	31	200895	16	16
200824	46	18	200861	14	25	200895	18	16
200825	46	34-1	200862	40	22	200896	2	7
200826	46	28-1	200863	46	16	200896	4	7
200827	46	29-1	200866	32	15	200897	32	5
200828	58	18	200867	12	10-1	200897	34	5
200829	58	21	200868	14	1-1	200898	18	23-2
200830	14	17	200869	16	24	200899	18	15-2
200831	32	2	200869	18	25-1	200900	8	22
200831	34	2	200870	16	23	200901	6	1
200832	14	5	200870	18	24-1	200903	34	15-1
200833	32	9	200872	24	14	200904	32	23
200833	34	9	200873	36	16	200904	34	23
200834	28	39	200873	38	16	200905	2	2
200834	30	42	200874	38	22	200905	4	2
200835	2	8	200875	16	1-1	200906	2	22
200835	4	8	200875	18	1-1	200906	4	22
200836	14	14	200876	16	1-2	200907	42	43
200837	2	27	200876	18	1-3	200908	42	44
200837	4	27	200877	36	33	200909	40	31
200838	14	23-2	200877	38	33	200910	12	10-2
200839	14	24-2	200878	36	32	200911	18	11-1
200839	40	18-2	200878	38	32	200912	26	22-2

Numerical Parts index

Part #	Page	Ref.	Part #	Page	Ref.	Part #	Page	Ref.
200913	40	25	201107	46	27-2	299355	2	6
200914	40	1-2	201108	14	1-2	299355	4	8
200916	2	1	201110	46	34-2	299360	2	5
200916	4	1	201111	46	28-2	299362	2	30
200948	60	19-1	201112	46	29-2	299362	4	30
200949	46	14-2	201113	32	11-2	299362	10	13
200950	52	3-2	201113	34	11-2	299362	12	12
200952	46	14-1	201114	32	8-2	299365	40	17-3
200956	2	10	201114	34	8-2	299371	6	20
200956	4	10	201115	32	13-2	299440	36	14
200957	52	3-1	201115	34	12-2	299440	38	14
200961	48	41	201120	22	7-2	299442	36	13
200974	22	8-2	201120	24	7-2	299442	38	13
200974	24	8-2	201121	22	3-2	299445	36	18
200978	2	20	201124	28	10-2	299445	38	18
200978	4	20	201124	30	11-2	299446	36	9
201000	46	15	201125	28	7-2	299446	38	9
201001	46	13-2	201125	30	8-2	299447	36	8
201002	32	19	201126	42	51	299459	22	6
201002	34	19	201127	24	3-2	299459	24	6
201002	40	35	201128	12	3-2	299505	52	3-3
201003	6	19	201130	42	54	299559	14	7-1
201004	8	19	201131	46	33-2	299830	44	29
201008	8	20	201133	28	32-2	299855	28	45
201016	64	9	201134	28	34-2	299855	30	45
201023	42	46	239457	22	5	299856	28	46
201025	26	4-1	239457	24	5	299856	30	46
201026	26	4-2	298539	52	38	299864	40	12
201027	26	8	298658	2	25	299906	10	10
201028	4	35-2	298658	4	25	299906	12	8
201029	64	3-2	298659	2	24	299942	52	22-4
201030	64	3-1	298659	4	24	299967	6	24
201032	64	4-1	298660	6	21	300103	28	18
201034	64	3-3	298660	8	21	300103	30	20
201035	64	4-2	298680	40	7-1	300115	52	22-1
201037	64	4-3	298738	14	6-1	300116	52	22-2
201038	64	2-1	298740	22	2	300117	52	22-3
201039	64	2-2	298794	28	1	300156	36	10
201040	64	2-3	298794	30	1	300158	38	10
201041	6	22	298805	40	34-3	300172	52	2
201101	14	4-3	298843	46	12-2	300209	14	11
201102	30	34-2	298853	28	26	300236	46	20-2
201103	30	36-2	298853	30	28	300237	46	12-1
201105	42	53	298854	28	25	300330	14	16-1
201106	14	4-2	298854	30	27	300330	22	18-1

Numerical Parts index

Part #	Page	Ref.	Part #	Page	Ref.	Part #	Page	Ref.
300330	24	18-1	301568	36	25	302866	50	13
300716	2	21	301581	42	42	302871	50	23
300716	4	21	301713	36	21	302872	50	24
300746	58	10-2	301713	38	21	302874	50	16
300746	60	5-2	301729	2	33	302876	50	9
301037	52	39	301729	4	33	302877	50	5
301049	22	19-2	301749	28	47	302878	50	7
301049	24	19-2	301749	30	47	302879	50	8
301107	46	32-2	301750	28	48	302880	50	11
301201	2	4	301750	30	48	302881	50	12
301201	4	4	301752	28	50	302884	50	15
301241	28	40	301752	30	50	302885	50	10
301241	30	38	301780	16	10-1	302981	64	8
301241	40	17-4	301780	18	10-1	303107	60	18
301241	40	41-1	302181	22	19-1	303109	60	6-1
301241	40	41-2	302181	24	19-1	303147	26	19
301241	42	45	302217	50	29	303172	50	21
301255	38	2	302391	48	45			
301256	38	1	302453	36	15			
301297	2	32	302453	38	15			
301297	4	32	302470	16	13			
301299	28	14	302470	18	13			
301299	30	16	302542	16	10-3			
301300	28	41	302587	2	12			
301300	30	39	302587	4	12			
301303	28	15	302587	14	40			
301303	30	17	302589	2	9			
301306	30	7	302589	4	9			
301307	28	2	302593	10	12			
301307	30	2	302593	12	11			
301308	28	6	302612	16	12-1			
301312	28	31	302612	18	12-1			
301312	30	33	302613	16	10-2			
301313	28	37	302613	18	10-2			
301313	30	41	302642	18	10-3			
301358	46	13-1	302678	48	38			
301399	22	13	302678	50	22			
301399	24	13	302690	10	8			
301490	14	12	302690	12	7			
301498	40	2	302707	22	1-1			
301507	14	24-1	302707	24	1-1			
301507	40	18-1	302744	14	26			
301543	2	26	302746	40	39			
301549	10	2	302746	42	50			
301550	10	7	302842	14	30			