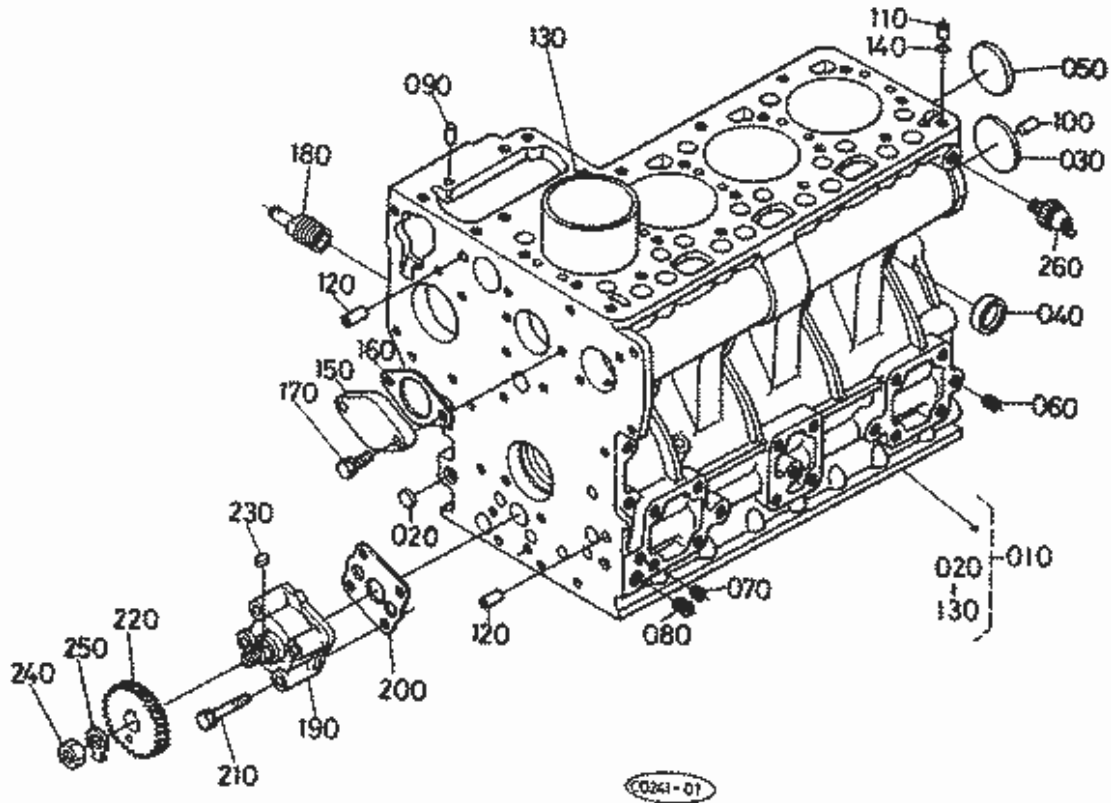


B9200DC-DP (4wd)

VENDOR: Kubota
SECTION: ENGINE
DIAGRAM: CRANKCASE

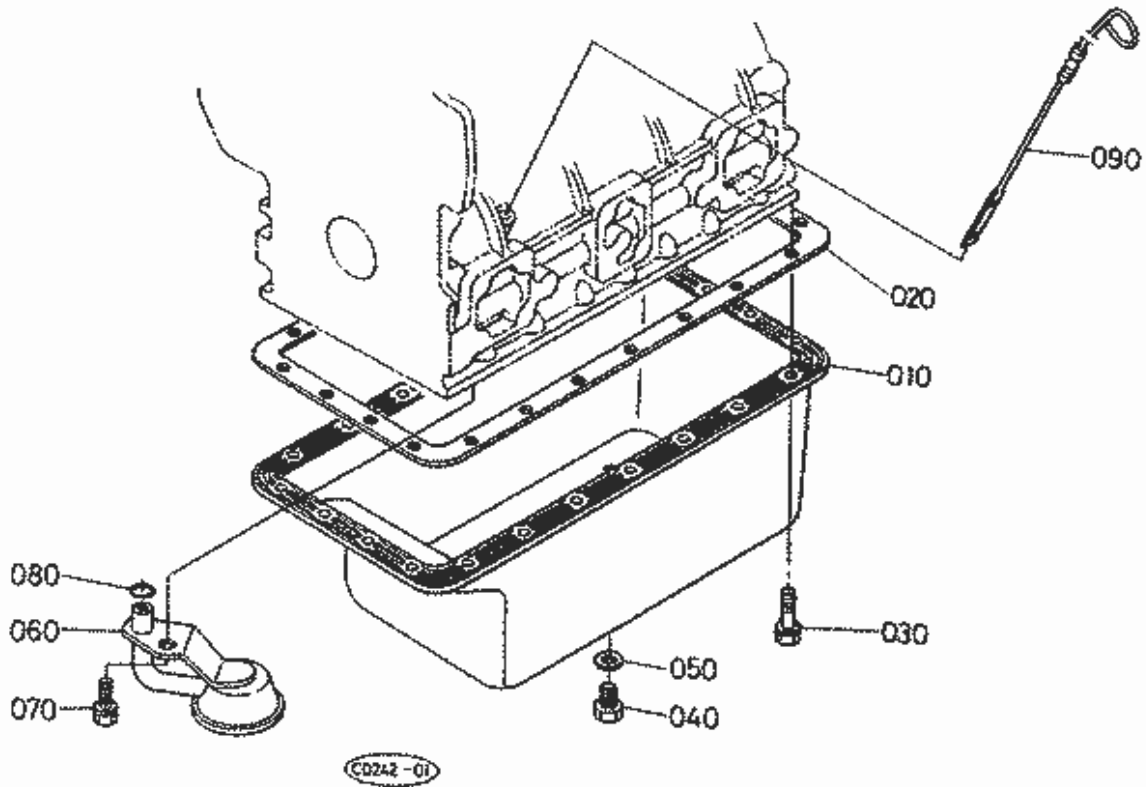


#	Title	Description	Part Number	Price	Stock	Job Qty
010	COMP CRANKCASE	COMP CRANKCASE	15741-01010	\$1207.18	5-10 business days	1
020	PLUG, EXPANSION	PLUG, EXPANSION	15261-96170	\$6.44	5-10 business days	3
030	PLUG, EXPANSION	PLUG, EXPANSION	15261-96160	\$1.50	3 In Stock	1
040	CAP	CAP	15321-96260	\$5.80	7 In Stock	6
050			15221-03490	\$6.00	2 In Stock	1
060	PLUG	PLUG	15261-96010	\$2.62	2 In Stock	7
070	PLUG	PLUG	15521-96020	\$2.75	5 In Stock	3
080	PLUG	PLUG	15521-96030	\$2.62	1 In Stock	1
090	PIN	PIN	05012-00609	\$0.94	3 In Stock	2
100	PIN, STRAIGHT	PIN, STRAIGHT	05012-00814	\$1.52	7 In Stock	2
110	PIN, PIPE	PIN, PIPE	15221-33650	\$3.69	5-10 business days	1
120	PIN, PIPE	PIN, PIPE	15231-33960	\$4.41	5-10 business days	2
130	LINER, CYLINDER	LINER, CYLINDER	15531-02310	\$128.13	5-10 business days	4
140	O'RING	O'RING	15221-33700	\$3.69	17 In Stock	1

150	COVER, WATER	COVER, WATER	15261-73910	\$39.03	5-10 business days	1
160	GASKET, WATER	GASKET, WATER CO	15263-73920	\$1.95	1 In Stock	1
170	BOLT	BOLT	01023-50618	\$1.27	3 In Stock	2
180	JOINT,DRAIN PIPE	JOINT,DRAIN PIPE	15531-73170	\$77.31	5-10 business days	1
190	PUMP, ENG OIL AS	PUMP, ENG OIL AS	15261-35010	\$160.19	1 In Stock	1
200	GASKET, OIL PUMP	GASKET, OIL PUMP	15263-35150	\$2.06	1 In Stock	1
210	BOLT	BOLT	15261-91022	\$1.15	5-10 business days	4
220	GEAR, OIL PUMP D	GEAR, OIL PUMP D	15954-35662	\$211.35	5-10 business days	1
230	KEY, FEATHER	KEY, FEATHER	05712-00410	\$1.27	8 In Stock	1
240	NUT	NUT	02016-50100	\$0.94	7 In Stock	1
250	WASHER, CLAW	WASHER, CLAW	04211-50100	\$0.90	5 In Stock	1
260	Oil Sender Switch	0.0	1A024-39010	\$35.37	25 In Stock	1

B9200DC-DP (4wd)

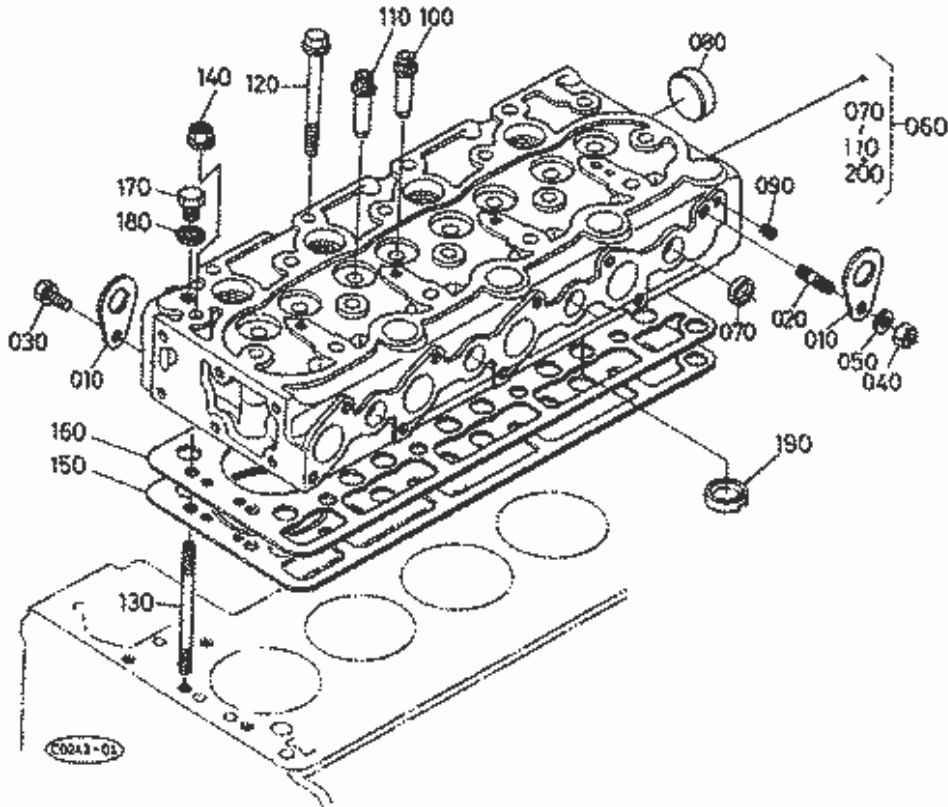
VENDOR: Kubota
SECTION: ENGINE
DIAGRAM: OIL PAN



#	Title	Description	Part Number	Price	Stock	Job Qty
010	PAN, COMP OIL	PAN, COMP OIL	15741-01500	\$738.07	5-10 business days	1
020	GASKET, OIL PAN	GASKET, OIL PAN	19087-01620	\$38.96	1 In Stock	1
030	BOLT	BOLT	15381-91092	\$10.81	5-10 business days	22
040	PLUG	PLUG	15221-33750	\$6.31	7 In Stock	1
050	GASKET, DRAIN PL	GASKET, DRAIN PL	15109-33660	\$1.27	30 In Stock	1
060	SCREEN, OIL SUMP	SCREEN, OIL SUMP	15531-32110	\$34.94	5-10 business days	1
070	BOLT	BOLT	01123-50816	\$0.94	25 In Stock	1
080	O RING	O RING	04816-00140	\$1.67	14 In Stock	1
090	GAUGE, OIL	GAUGE, OIL	15533-36410	\$37.13	4 In Stock	4

B9200DC-DP (4wd)

VENDOR: Kubota
SECTION: ENGINE
DIAGRAM: CYLINDER HEAD

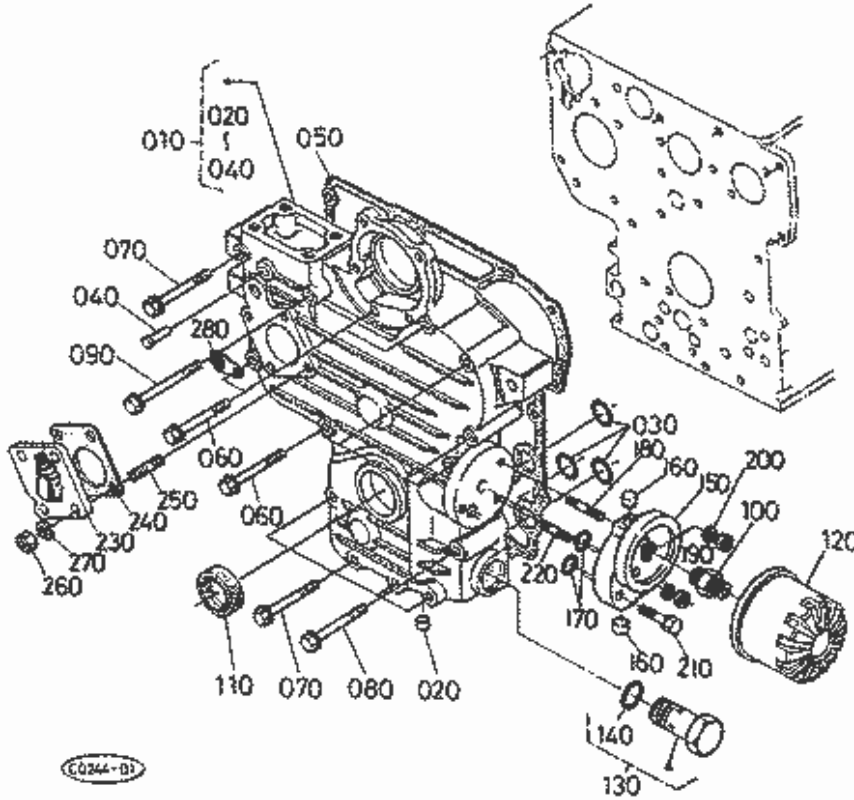


#	Title	Description	Part Number	Price	Stock	Job Qty
010	HOOK, ENGINE	HOOK, ENGINE	15221-01750	\$5.66	5-10 business days	2
020	STUD	STUD	01513-50816	\$1.25	16 In Stock	1
030	BOLT	BOLT	01123-50816	\$0.94	25 In Stock	1
040	NUT	NUT	02156-50080	\$0.71	64 In Stock	1
050	WASHER,SPRING*CR	WASHER,SPRING*CR	04512-50080	\$1.02	31 In Stock	1
060	HEAD, COMP ENG C	HEAD, COMP ENG C	15828-03040	\$1704.27	5-10 business days	1
070	CAP, SEALING	CAP, SEALING	15261-03370	\$4.62	11 In Stock	7
080	CAP	CAP	15321-96260	\$5.80	7 In Stock	1
090	PLUG	PLUG	15261-96010	\$2.62	2 In Stock	2
100	GUIDE, INLET VAL	GUIDE, INLET VAL	15261-13540	\$9.72	3 In Stock	4
110			15261-13560	\$9.72	3 In Stock	4
120	BOLT, CYL HEAD	BOLT, CYL HEAD	19215-03450	\$11.15	10 In Stock	17
130	STUD	STUD	15532-03410	\$10.88	5-10 business days	1
140	NUT, CYLINDER HE	NUT, CYLINDER HE	19215-03512	\$6.73	5-10 business days	1

150	GASKET,CYLINDER	GASKET,CYLINDER	15741-03312	\$118.60	1 In Stock	1
160	SHIM,CYL HEAD GA	SHIM,CYL HEAD GA	15442-03320	\$27.44	1 In Stock	1
170	PLUG, HEAD	PLUG, HEAD	15000-36080	\$8.02	1 In Stock	1
180	Washer, Seal		04717-01600	\$2.45	4 In Stock	1
190	CHAMBER,	CHAMBER, COMBUST	15261-03140	\$95.76	5-10 business days	4

B9200DC-DP (4wd)

VENDOR: Kubota
SECTION: ENGINE
DIAGRAM: GEAR CASE

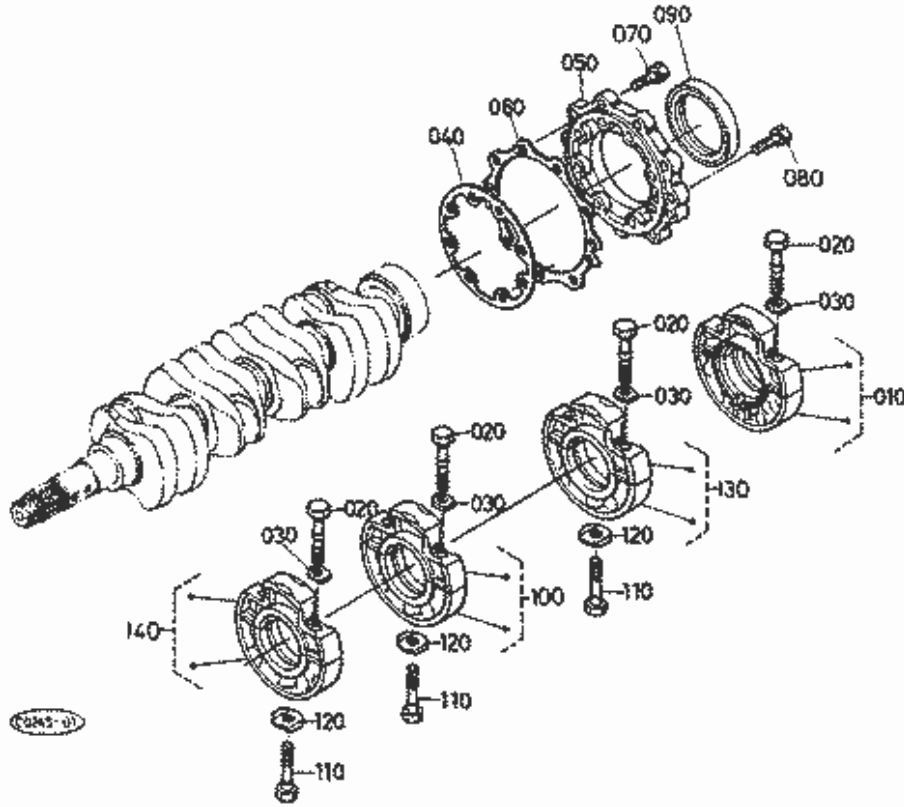


#	Title	Description	Part Number	Price	Stock	Job Qty
010	GEARCASE ASSY	GEARCASE ASSY	15532-04023	\$381.53	5-10 business days	1
020	PLUG *	PLUG *	16851-96010	\$3.00	5-10 business days	2
030	O'RING	O'RING	04811-06130	\$1.85	3 In Stock	3
040	PIN,START SPRING	PIN,START SPRING	15221-56284	\$5.71	5-10 business days	1
050	GASKET	GASKET	15676-04130	\$19.84	1 In Stock	1
060			01023-50660	\$1.96	1 In Stock	7
070	BOLT	BOLT	01023-50665	\$2.06	4 In Stock	5
080	BOLT	BOLT	01023-50670	\$2.13	4 In Stock	1
090	BOLT	BOLT	01023-50675	\$2.20	5-10 business days	1
100	JOINT, PIPE	JOINT, PIPE	15241-32290	\$20.90	1 In Stock	1
110	OIL SEAL	OIL SEAL	15877-04140	\$14.27	8 In Stock	1
120	Engine Oil Filter	FILTER, OIL	HH150-32094	\$13.41	> 100 In Stock	1
120	Engine Oil Filter	FILTER, OIL	HH150-32094	\$13.41	> 100 In Stock	1
130	VALVE, ASSY RELI	VALVE, ASSY RELI	15261-36070	\$34.74	5-10 business days	1

140	O-RING***	O-RING***	04810-00150	\$5.80	6 In Stock	1
150	SUPPORT, OIL FIL	SUPPORT, OIL FIL	15531-32310	\$204.84	5-10 business days	1
160	PLUG, BLIND	PLUG, BLIND	15531-33640	\$3.29	5-10 business days	2
170	O-RING	O-RING	04816-05140	\$1.88	4 In Stock	2
180	STUD	STUD	15221-88210	\$1.95	1 In Stock	1
190	NUT	NUT	02056-50060	\$0.42	17 In Stock	2
200	WASHER, SPRING	WASHER, SPRING	04512-50060	\$0.42	34 In Stock	2
210	BOLT	BOLT	01023-50630	\$1.32	17 In Stock	1
220	STUD	STUD	15531-91490	\$1.39	5-10 business days	1
230	HR METER DRIVE U	HR METER DRIVE U	67111-58810	\$83.61	5-10 business days	1
240	GASKET, HOUR MET	GASKET, HOUR MET	15296-88130	\$1.48	4 In Stock	1
250	STUD	STUD	15221-88210	\$1.95	1 In Stock	4
260	NUT	NUT	02056-50060	\$0.42	17 In Stock	4
270	WASHER, SPRING	WASHER, SPRING	04512-50060	\$0.42	34 In Stock	4
280	PIPE CLAMP	PIPE CLAMP	15532-72960	\$43.21	5-10 business days	1

B9200DC-DP (4wd)

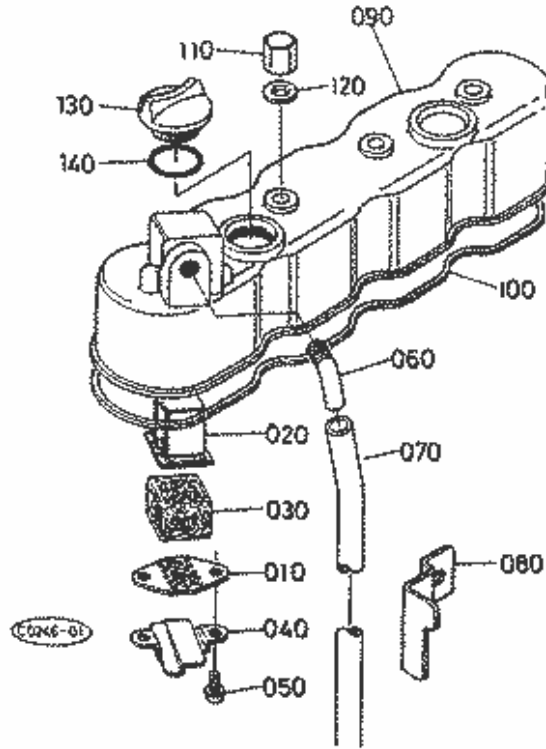
VENDOR: Kubota
SECTION: ENGINE
DIAGRAM: MAIN BEARING CASE



#	Title	Description	Part Number	Price	Stock	Job Qty
010	MAIN BEARING CAS	MAIN BEARING CAS	15261-04090	\$192.74	5-10 business days	1
020	BOLT, BEARING CA	BOLT, BEARING CA	15381-04540	\$11.01	5-10 business days	8
030	WASHER	WASHER	15261-04570	\$1.36	5-10 business days	8
040	GASKET	GASKET	15263-04360	\$5.88	2 In Stock	1
050	COVER, BEARING C	COVER, BEARING C	15549-04810	\$447.10	5-10 business days	1
060	GASKET	GASKET	15263-04820	\$7.87	2 In Stock	1
070	BOLT	BOLT	01023-50620	\$1.41	11 In Stock	9
080	BOLT	BOLT	01023-50625	\$1.61	24 In Stock	8
090	SEAL, OIL	SEAL, OIL	19215-04460	\$50.96	1 In Stock	1
100	ASSY FULL BRG/CA	ASSY FULL BRG/CA	15261-07040	\$72.10	5-10 business days	1
110	BOLT, BEARING CA	BOLT, BEARING CA	15381-04560	\$13.28	5-10 business days	3
120	WASHER	WASHER	15261-04590	\$5.72	5-10 business days	3
130	CASE, MAIN BEARI	CASE, MAIN BEARI	15381-04050	\$160.97	5-10 business days	1
140	CASE, #4 BRG ASS	CASE, #4 BRG ASS	15442-04060	\$102.44	5-10 business days	1

B9200DC-DP (4wd)

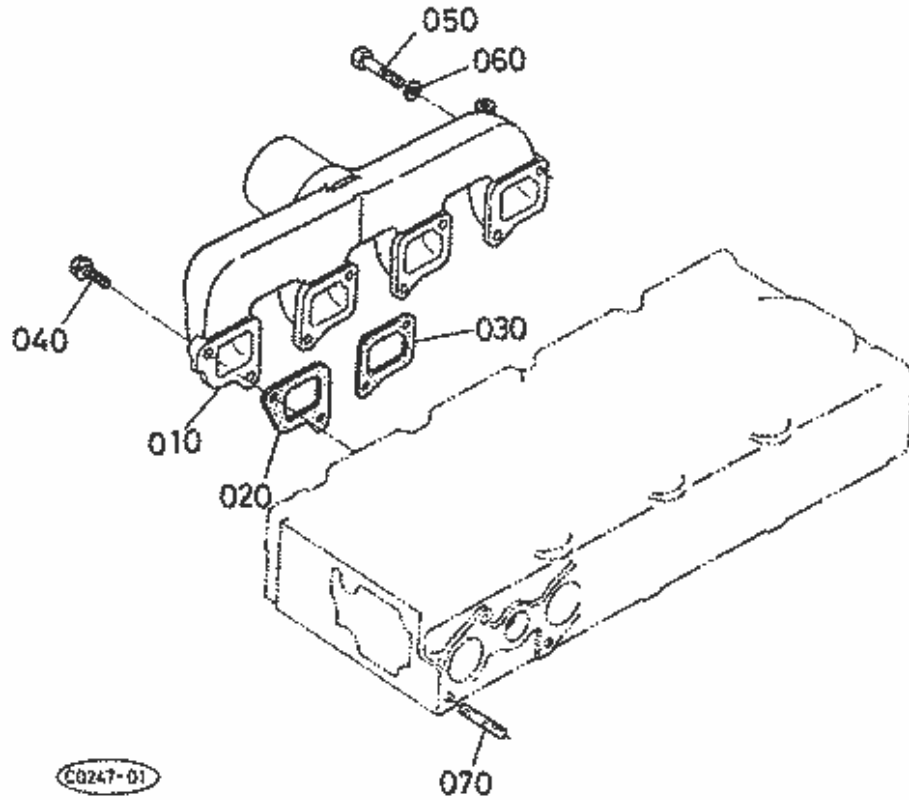
VENDOR: Kubota
SECTION: ENGINE
DIAGRAM: CYLINDER HEAD COVER



#	Title	Description	Part Number	Price	Stock	Job Qty
010	PLATE, ELEMENT 1	PLATE, ELEMENT 1	15951-05140	\$65.49	5-10 business days	1
020	PLATE, ELEMENT 2	PLATE, ELEMENT 2	15521-05150	\$7.06	5-10 business days	1
030	ELEMENT,	ELEMENT, BREATHE	15521-05670	\$1.77	4 In Stock	1
040	SHIELD, BREATHER	SHIELD, BREATHER	15951-05370	\$46.31	5-10 business days	1
050	SCREW, W/WASHER	SCREW, W/WASHER	03024-50510	\$0.42	5 In Stock	2
060	JOINT, BREATHER	JOINT, BREATHER	15521-05550	\$8.02	5-10 business days	1
070	PIPE, BREATHER	PIPE, BREATHER	15261-05510	\$11.76	1 In Stock	1
080	CLAMP, PIPE	CLAMP, PIPE	15531-05580	\$39.97	5-10 business days	1
090	COVER, CYL HEAD	COVER, CYL HEAD	15741-14510	\$189.96	5-10 business days	1
100	PACKING, HEAD CV	PACKING, HEAD CV	15442-14520	\$26.03	2 In Stock	1
110	NUT CAP	NUT CAP	15952-92330	\$3.69	12 In Stock	4
120	GASKET, COPPER	GASKET, COPPER	15951-96660	\$1.44	9 In Stock	4
130	PLUG, OIL FILLER	PLUG, OIL FILLER	15852-33140	\$12.39	4 In Stock	1
140	O RING	O RING	04816-50300	\$2.63	29 In Stock	1

B9200DC-DP (4wd)

VENDOR: Kubota
SECTION: ENGINE
DIAGRAM: MANIFOLD



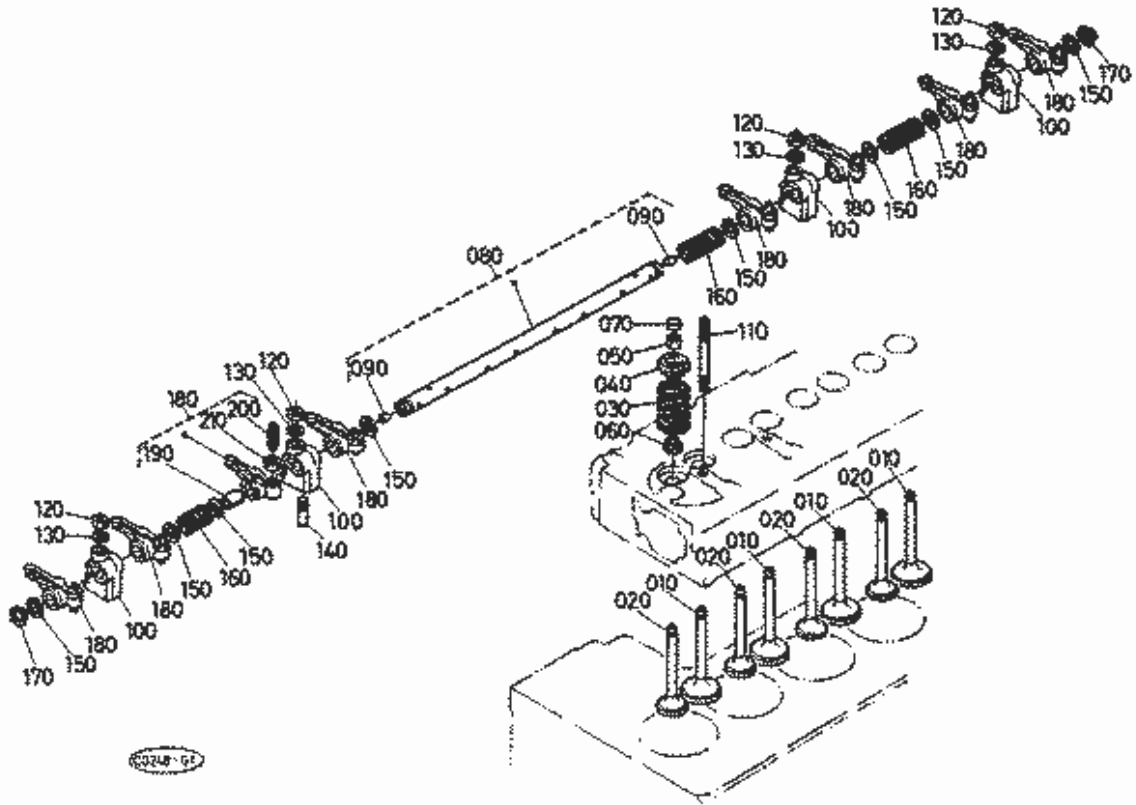
#	Title	Description	Part Number	Price	Stock	Job Qty
010	INLET MANIFOLD	INLET MANIFOLD	15741-11760	\$170.88	5-10 business days	1
020	GASKET	GASKET	19087-11820	\$6.34	5-10 business days	1
030	GASKET	GASKET	15263-11830	\$5.84	13 In Stock	3
040	BOLT	BOLT	01023-50620	\$1.41	11 In Stock	5
050	BOLT	BOLT	01053-50645	\$1.61	8 In Stock	3
060	WASHER, SPRING	WASHER, SPRING	04512-50060	\$0.42	34 In Stock	3
070	STUD	STUD	15381-91532	\$5.72	6 In Stock	8

B9200DC-DP (4wd)

VENDOR: Kubota

SECTION: ENGINE

DIAGRAM: VALVE/ROCKER ARM

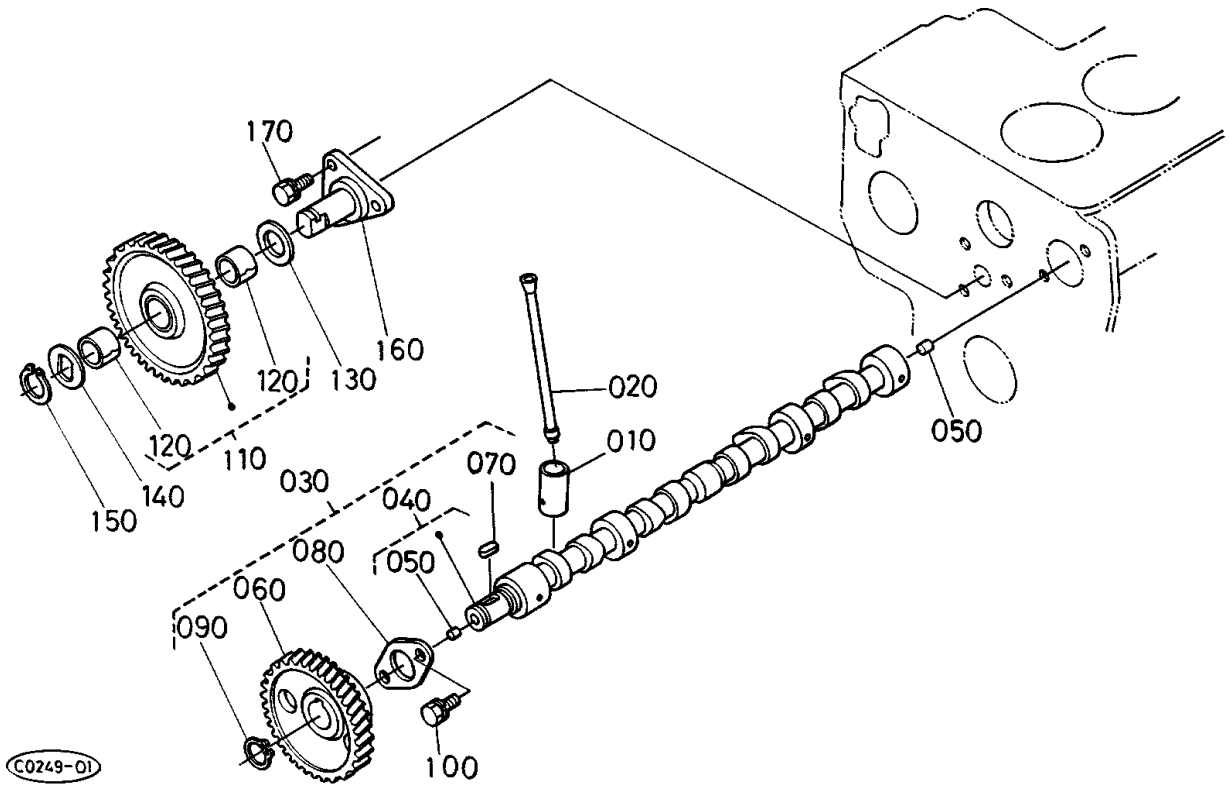


#	Title	Description	Part Number	Price	Stock	Job Qty
010	VALVE	VALVE	15393-13110	\$28.92	5-10 business days	4
020	VALVE, EXHAUST	VALVE, EXHAUST	15393-13120	\$28.92	1 In Stock	4
030	SPRING, VALVE	SPRING, VALVE	15261-13240	\$11.24	5-10 business days	8
040			16261-13330	\$2.50	5-10 business days	8
050	ASSY COLLET, VAL	ASSY COLLET, VAL	15261-13980	\$8.02	7 In Stock	8
060	SEAL, VALVE STEM	SEAL, VALVE STEM	15261-13150	\$3.88	7 In Stock	8
070	CAP	CAP	16241-13280	\$6.33	10 In Stock	8
080	SHAFT,ASY	SHAFT,ASY ROCKER	15442-14050	\$88.80	5-10 business days	1
090	SCREW, SET	SCREW, SET	15381-93610	\$25.27	5-10 business days	2
100	BRACKET, ROCKER	BRACKET, ROCKER	15381-14350	\$18.44	5-10 business days	4
110	STUD	STUD	16241-14410	\$5.09	12 In Stock	4
120	NUT	NUT	15261-92010	\$3.68	4 In Stock	4
130	WASHER, PLAIN	WASHER, PLAIN	15261-94010	\$1.57	5-10 business days	4
140	SCREW,ROCKER	SCREW,ROCKER ARM	15261-14420	\$5.09	5-10 business days	1

150	WASHER	WASHER	15261-14430	\$1.68	5-10 business days	8
160	SPRING	SPRING	15261-14310	\$1.62	5-10 business days	3
170	CIR-CLIP, EXTERN	CIR-CLIP, EXTERN	04612-00110	\$0.71	2 In Stock	2
180	ARM, ASSY	ARM, ASSY ROCKER	15381-14030	\$51.44	5-10 business days	8
190	BUSH, ROCKER	BUSH, ROCKER ARM	19264-14180	\$5.52	5-10 business days	8
200	SCREW, ADJUSTING	SCREW, ADJUSTING	15261-14232	\$3.69	5-10 business days	8
210	NUT	NUT	15261-14240	\$1.45	5-10 business days	8

B9200DC-DP (4wd)

VENDOR: Kubota
SECTION: ENGINE
DIAGRAM: CAMSHAFT

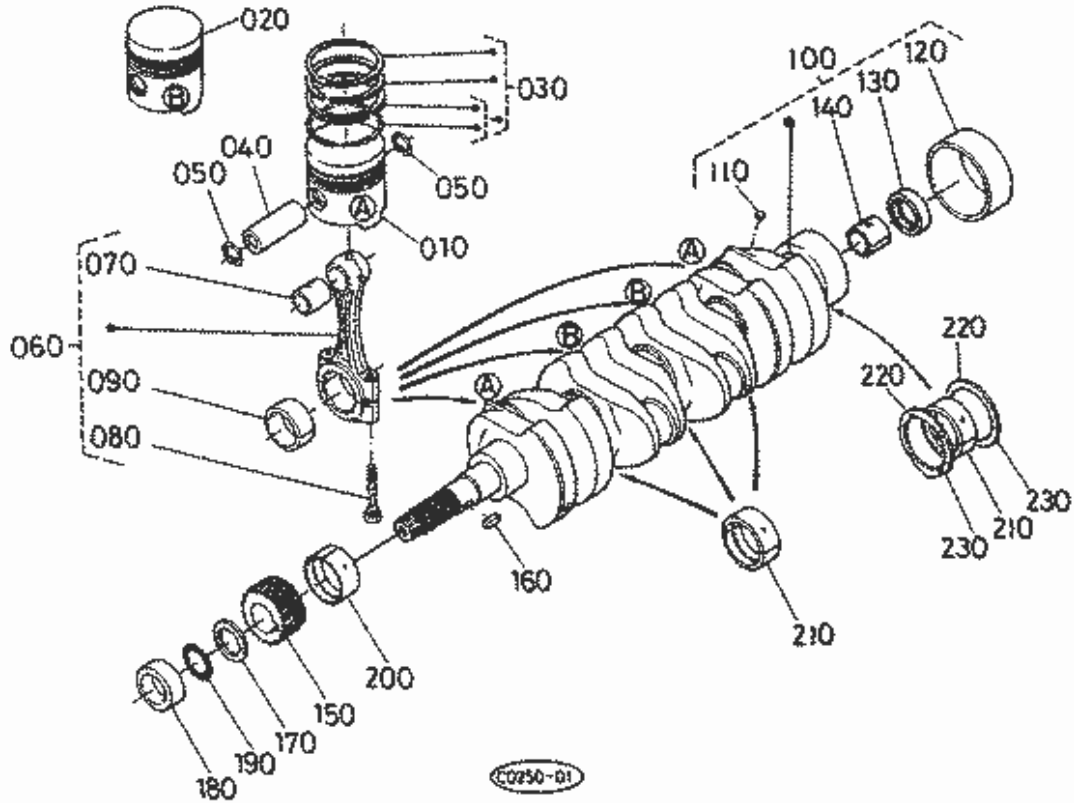


#	Title	Description	Part Number	Price	Stock	Job Qty
010	TAPPET	TAPPET	15261-15550	\$51.02	5-10 business days	8
020	ROD,PUSH	ROD,PUSH	H1520-15110	\$38.91	5-10 business days	8
020	ROD,PUSH	ROD,PUSH	H1520-15110	\$38.91	5-10 business days	8
030	CAMSHAFT, ASSY	CAMSHAFT, ASSY	15442-16010	\$960.08	5-10 business days	1
040	CAMSHAFT, COMP	CAMSHAFT, COMP	15442-16110	\$866.24	5-10 business days	1
050	PLUG, BLIND	PLUG, BLIND	15261-96880	\$5.01	1 In Stock	2
060	GEAR, CAMSHAFT	GEAR, CAMSHAFT	15261-16510	\$178.30	5-10 business days	1
070	KEY, FEATHER	KEY, FEATHER	05712-00515	\$1.88	5-10 business days	1
080	STOPPER,	STOPPER, CAMSHAF	15261-16270	\$15.66	5-10 business days	1
090	CIR-CLIP, EXTERN	CIR-CLIP, EXTERN	04612-00180	\$0.94	16 In Stock	1
100	BOLT	BOLT	01023-50614	\$1.02	33 In Stock	2
110	IDLE GEAR ASSY.	IDLE GEAR ASSY.	15532-24010	\$280.23	5-10 business days	1
120	BUSH, IDLER GEAR	BUSH, IDLER GEAR	15532-24980	\$10.36	5-10 business days	2
130	COLLAR	COLLAR	15532-24360	\$6.00	5-10 business days	1

140	COLLAR	COLLAR	15532-24370	\$6.00	5-10 business days	1
150	CIR-CLIP, IDLE G	CIR-CLIP, IDLE G	15532-24320	\$7.00	5-10 business days	1
160	ASSY GEAR, IDLE	ASSY GEAR, IDLE	H1570-99340	\$345.73	5-10 business days	1
170	BOLT, W/WASHER	BOLT, W/WASHER	01023-50616	\$1.15	25 In Stock	3

B9200DC-DP (4wd)

VENDOR: Kubota
SECTION: ENGINE
DIAGRAM: PISTON/CRANKSHAFT

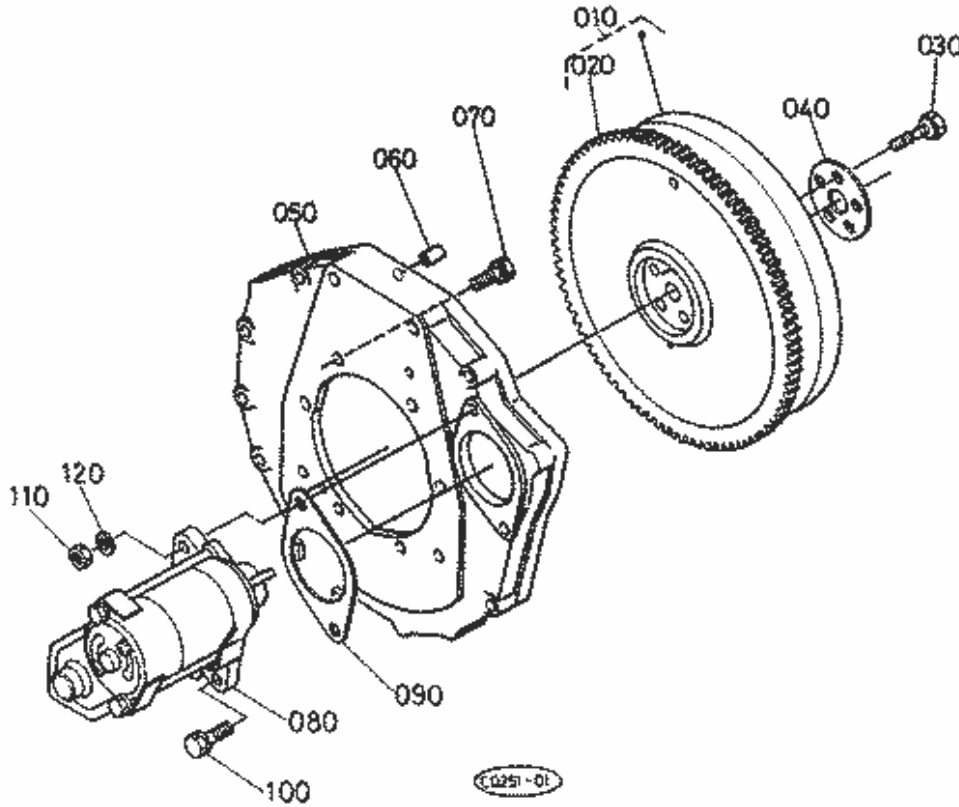


#	Title	Description	Part Number	Price	Stock	Job Qty
010	PISTON	PISTON	15532-21110	\$152.14	5-10 business days	2
010	PISTON +0.5	PISTON +0.5	15532-21910	\$152.14	5-10 business days	2
020	PISTON 2	PISTON 2	15531-21123	\$148.35	5-10 business days	2
020	PISTON 2 +0.5	PISTON 2 +0.5	15531-21922	\$148.79	5-10 business days	2
030	RINGS, PISTON AS	RINGS, PISTON AS	15442-21050	\$110.56	4 In Stock	4
030	RINGS, PISTON(+0	RINGS, PISTON(+0	15442-21090	\$111.36	5-10 business days	4
040	PIN, PISTON	PIN, PISTON	15261-21310	\$8.46	5-10 business days	4
050	CIR-CLIP, PISTON	CIR-CLIP, PISTON	15261-21330	\$1.44	6 In Stock	8
060	ROD, ASSY CONN	ROD, ASSY CONN	15694-22010	\$342.87	5-10 business days	4
070	BUSHING, PISTON	BUSHING, PISTON	15261-21980	\$8.46	5-10 business days	4
080	BOLT, CONN ROD	BOLT, CONN ROD	15381-22140	\$11.11	6 In Stock	8
090	ROD BRG	ROD BRG	15694-22310	\$27.99	4 In Stock	4
090	METAL CRANKPIN +	METAL CRANKPIN +	15694-22970	\$30.41	5-10 business days	4
090	S24AL, CRANKPIN	S24AL, CRANKPIN	15694-22980	\$27.99	3 In Stock	4

100	CRANKSHAFT,	CRANKSHAFT, COMP	15741-23010	\$2204.46	5-10 business days	1
110	PIN PLUG	PIN PLUG	15131-01380	\$14.98	4 In Stock	4
120	SLEEVE,	SLEEVE, CRANKSHA	19215-23280	\$62.74	1 In Stock	1
130	SEAL	SEAL	09400-14247	\$5.37	9 In Stock	1
140	BUSHING	BUSHING	66621-14120	\$29.34	10 In Stock	1
150	GEAR,	DISCONTINUED	15752-24110	\$115.86	5-10 business days	1
160	KEY, FEATHER	KEY, FEATHER	05712-00515	\$1.88	5-10 business days	1
170	SLINGER, OIL	SLINGER, OIL	15752-23310	\$4.76	5-10 business days	1
180	COLLAR,	COLLAR, CRANKSHA	15752-23250	\$48.23	5-10 business days	1
190	O-RING	O-RING	04816-05230	\$2.09	4 In Stock	1
200	METAL,	METAL, CRANKSHAF	15694-23470	\$47.40	1 In Stock	1
200	METAL	METAL CRANKSHAFT	15694-23910	\$49.80	5-10 business days	1
200	METAL,	METAL, CRANKSHAF	15694-23920	\$50.95	1 In Stock	1
210	METAL,	METAL, CRANKSHAF	15694-23482	\$42.07	5-10 business days	4
210	METAL,	METAL, CRANKSHAF	15694-23932	\$42.07	5-10 business days	4
210	METAL,	METAL, CRANKSHAF	15694-23942	\$43.09	5-10 business days	4
220	METAL, SIDE 1	METAL, SIDE 1	15261-23533	\$11.04	5-10 business days	2
220	METAL, SIDE 1, 0	METAL, SIDE 1, 0	15261-23953	\$14.76	5-10 business days	2
220	METAL, SIDE 1 (+	METAL, SIDE 1 (+	15261-23960	\$14.76	5-10 business days	2
230	METAL, SIDE	METAL, SIDE	15261-23544	\$11.04	5-10 business days	2
230	METAL, SIDE	METAL, SIDE	15261-23974	\$14.76	5-10 business days	2
230	METAL, SIDE	METAL, SIDE	15261-23984	\$14.70	5-10 business days	2

B9200DC-DP (4wd)

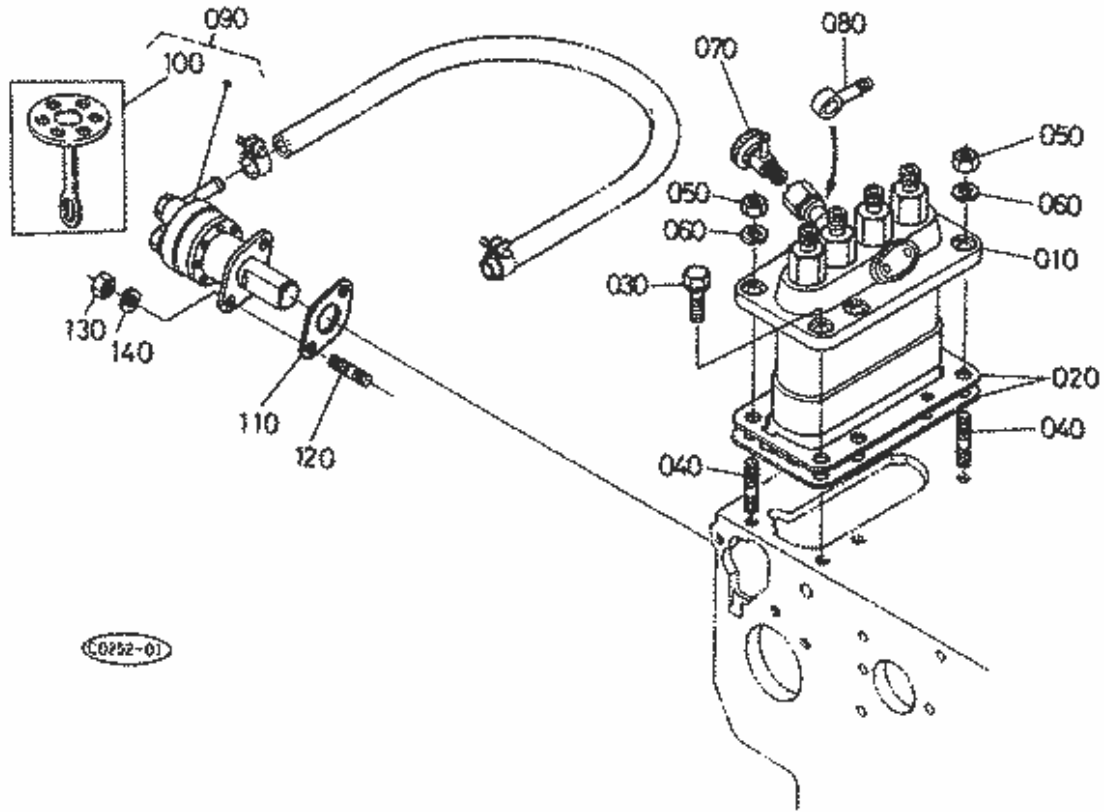
VENDOR: Kubota
SECTION: ENGINE
DIAGRAM: FLYWHEEL/STARTER



#	Title	Description	Part Number	Price	Stock	Job Qty
010	FLYWHEEL, COMP	FLYWHEEL, COMP	15741-25012	\$824.51	5-10 business days	1
020	GEAR, RING	GEAR, RING	16261-63822	\$193.63	5-10 business days	1
030	BOLT, FLYWHEEL	BOLT, FLYWHEEL	15531-25162	\$38.64	5-10 business days	5
040	WASHER,	WASHER, FLYWHEEL	15531-25170	\$8.59	5-10 business days	1
050	FLYWHEEL	FLYWHEEL HOUSING	15777-04610	\$481.42	5-10 business days	1
060	PIN, STRAIGHT	PIN, STRAIGHT	05012-00814	\$1.52	7 In Stock	1
070	BOLT	BOLT	01133-51028	\$2.06	7 In Stock	8
080	STARTER ASSY	STARTER ASSY	15741-63010	\$478.21	5-10 business days	1
090			66905-51160	\$4.05	3 In Stock	1
100	BOLT	BOLT	01123-50838	\$1.35	7 In Stock	1
110	NUT	NUT	02156-50080	\$0.71	64 In Stock	1
120	WASHER,SPRING*CR	WASHER,SPRING*CR	04512-50080	\$1.02	31 In Stock	1

B9200DC-DP (4wd)

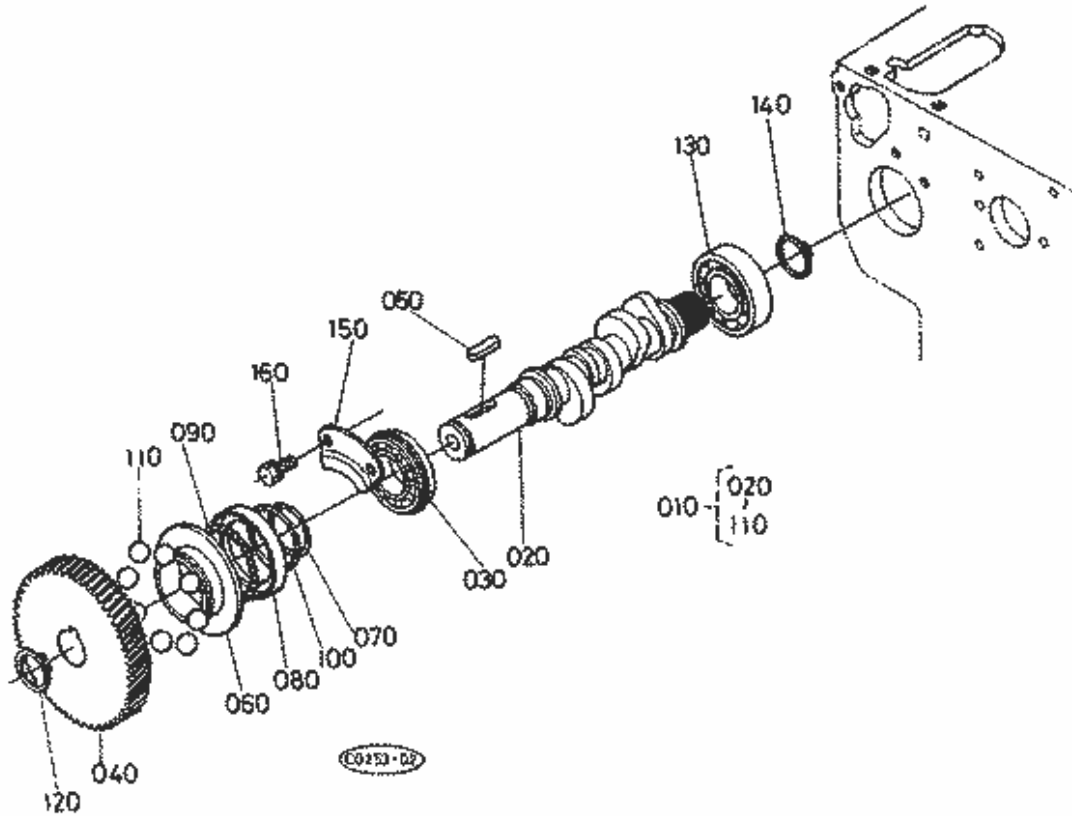
VENDOR: Kubota
SECTION: ENGINE
DIAGRAM: INJECTION PUMP



#	Title	Description	Part Number	Price	Stock	Job Qty
010	PUMP, INJECTION	PUMP, INJECTION	15442-51010	\$1495.98	5-10 business days	1
020	SHIM, ASSY INJEC	SHIM, ASSY INJEC	15741-52100	\$20.58	5-10 business days	1
030	BOLT	BOLT	01123-50822	\$1.27	22 In Stock	4
040	STUD	STUD	01513-50822	\$1.52	11 In Stock	2
050	NUT	NUT	02156-50080	\$0.71	64 In Stock	2
060	WASHER, SPRING*CR	WASHER, SPRING*CR	04512-50080	\$1.02	31 In Stock	2
070	ASSY COCK, JET ST	ASSY COCK, JET ST	14311-60505	\$26.79	19 In Stock	1
080	JOINT, EYE	JOINT, EYE	15401-95693	\$21.95	2 In Stock	1
090	FUEL PUMP	PUMP	15263-52030	\$170.22	2 In Stock	1
100	DIAPHRAGM, NA	DIAPHRAGM, NA	15263-52040	\$42.91	5-10 business days	1
110	GASKET FUEL	GASKET FUEL PUMP	1A021-52140	\$1.57	3 In Stock	1
120	STUD	STUD	01513-50616	\$0.94	15 In Stock	2
130	NUT	NUT	02056-50060	\$0.42	17 In Stock	2
140	WASHER, SPRING	WASHER, SPRING	04512-50060	\$0.42	34 In Stock	2

B9200DC-DP (4wd)

VENDOR: Kubota
SECTION: ENGINE
DIAGRAM: FUEL CAMSHAFT

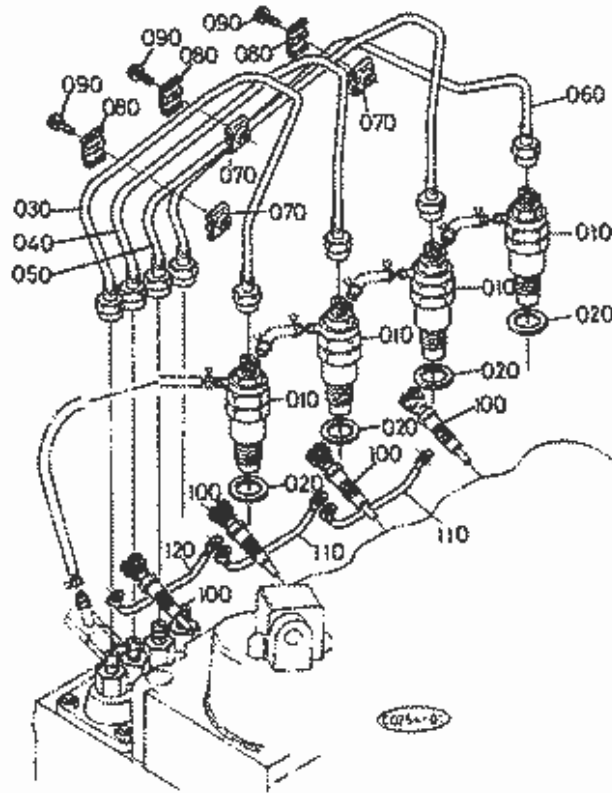


#	Title	Description	Part Number	Price	Stock	Job Qty
010	CAMSHAFT, ASSY F	CAMSHAFT, ASSY F	15741-16020	\$1229.30	5-10 business days	1
020	CAMSHAFT, FUEL	CAMSHAFT, FUEL	15741-16170	\$382.24	5-10 business days	1
030	BRG BALL RADIAL2	BRG BALL RADIAL2	08153-06004	\$9.64	5-10 business days	1
040	GEAR, INJECTION	GEAR, INJECTION	15549-51150	\$645.22	5-10 business days	1
050	KEY, FEATHER	KEY, FEATHER	05712-00520	\$1.88	5-10 business days	1
060	SMSEVE,	SMSEVE, GOVERNOR	15261-55450	\$196.74	5-10 business days	1
070	CIR-CLIP, GOV SL	CIR-CLIP, GOV SL	15261-55470	\$0.88	5-10 business days	1
080	CASE, GOVERNOR	CASE, GOVERNOR B	15549-55690	\$143.69	5-10 business days	1
090	BALL, 5/32"	BALL, 5/32"	07715-03205	\$0.46	20 In Stock	30
100	CIR-CLIP, GOV BA	CIR-CLIP, GOV BA	15261-55740	\$1.45	5-10 business days	1
110	BALL	BALL	07715-03217	\$1.52	5-10 business days	8
120	CIR-CLIP, EXTERN	CIR-CLIP, EXTERN	04612-00180	\$0.94	16 In Stock	1
130	BEARING, BALL	BEARING, BALL	08103-06004	\$18.02	2 In Stock	1
140	CIR-CLIP	CIR-CLIP	04612-00200	\$1.25	25 In Stock	1

150	STOPPER,FUEL	STOPPER,FUEL CAM	15261-16320	\$5.04	5-10 business days	1
160	BOLT	BOLT	01023-50612	\$0.94	6 In Stock	2

B9200DC-DP (4wd)

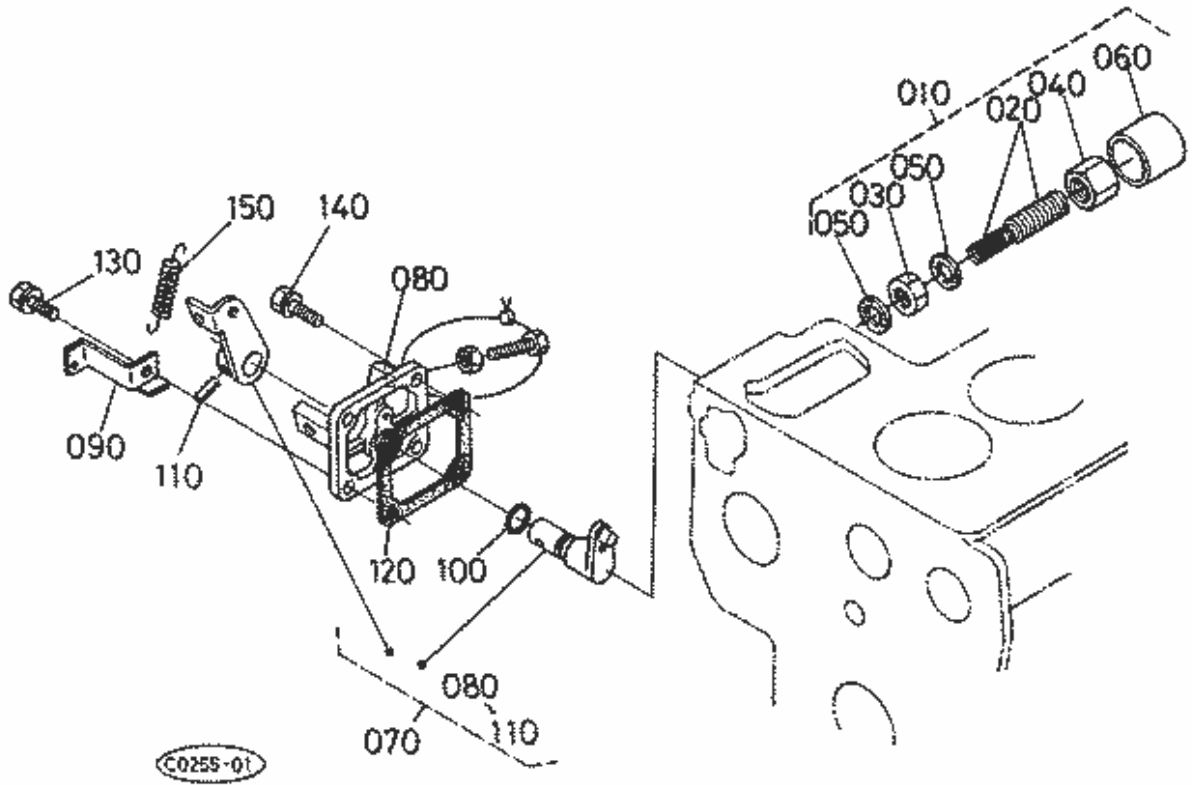
VENDOR: Kubota
SECTION: ENGINE
DIAGRAM: NOZZLE HOLDER



#	Title	Description	Part Number	Price	Stock	Job Qty
010	HOLDER, NOZZLE	HOLDER, NOZZLE	70000-65400	\$94.54	4 In Stock	4
020	GASKET	GASKET	17011-53620	\$2.31	37 In Stock	4
030	PIPE, INJECTION	PIPE, INJECTION	15442-53710	\$44.46	5-10 business days	1
040	PIPE, INJECTION	PIPE, INJECTION	15442-53720	\$24.24	5-10 business days	1
050	PIPE, INJECTION	PIPE, INJECTION	15442-53730	\$43.99	5-10 business days	1
060	PIPE, INJECTION	PIPE, INJECTION	15442-53740	\$44.46	5-10 business days	1
070	CLAMP, PIPE 1	CLAMP, PIPE 1	15841-53850	\$5.09	5 In Stock	3
080	CLAMP, PIPE 2	CLAMP, PIPE 2	15841-53860	\$3.29	4 In Stock	3
090	SCREW, W/WASHER	SCREW, W/WASHER	03024-50520	\$0.71	9 In Stock	3
100	Glow Plug		15951-65512	\$16.08	8 In Stock	4
110	CORD, GLOW PLUG	CORD, GLOW PLUG	15261-65560	\$13.42	5 In Stock	2
120	CORD, GLOW PLUG	CORD, GLOW PLUG	15442-65560	\$9.46	5-10 business days	1

B9200DC-DP (4wd)

VENDOR: Kubota
SECTION: ENGINE
DIAGRAM: ENGINE STOP LEVER



#	Title	Description	Part Number	Price	Stock	Job Qty
010	APPARATUS, IDLE	APPARATUS, IDLE	15752-54092	\$31.94	5-10 business days	1
020	BOLT, ADJUSTING	BOLT, ADJUSTING	15752-54102	\$12.26	5-10 business days	1
030	NUT	NUT	15261-92020	\$2.31	5-10 business days	1
040	NUT, CAP	NUT, CAP	15261-92330	\$9.39	5-10 business days	1
050	GASKET, COPPER	GASKET, COPPER	15021-33660	\$1.15	12 In Stock	2
060	CAP	CAP	15261-54270	\$4.86	5-10 business days	1
070	LEVER, ENG STOP	LEVER, ENG STOP	15694-57703	\$84.51	5-10 business days	1
080	COVER, INJ. PUMP	COVER, INJ. PUMP	15531-51652	\$175.76	5-10 business days	1
090	HOLDER, SPRING	HOLDER, SPRING	15504-57520	\$8.54	5-10 business days	1
100	O'RING	O'RING	04811-10070	\$1.32	4 In Stock	1
110	PIN, SPRING	PIN, SPRING	05411-00420	\$0.94	5-10 business days	1
120			15263-05130	\$4.48	1 In Stock	1
130	BOLT	BOLT	01023-50618	\$1.27	3 In Stock	3
140	BOLT	BOLT	01023-50620	\$1.41	11 In Stock	1

150 SPRING

SPRING

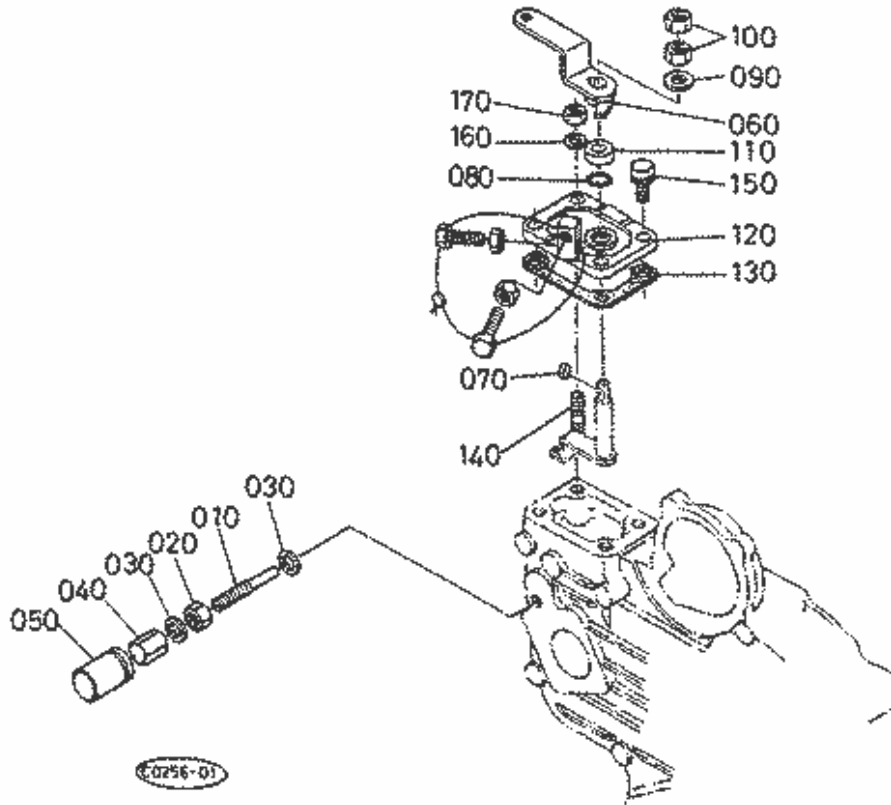
15504-57510

\$2.85

5-10 business days 1

B9200DC-DP (4wd)

VENDOR: Kubota
SECTION: ENGINE
DIAGRAM: SPEED CONTROL PLATE

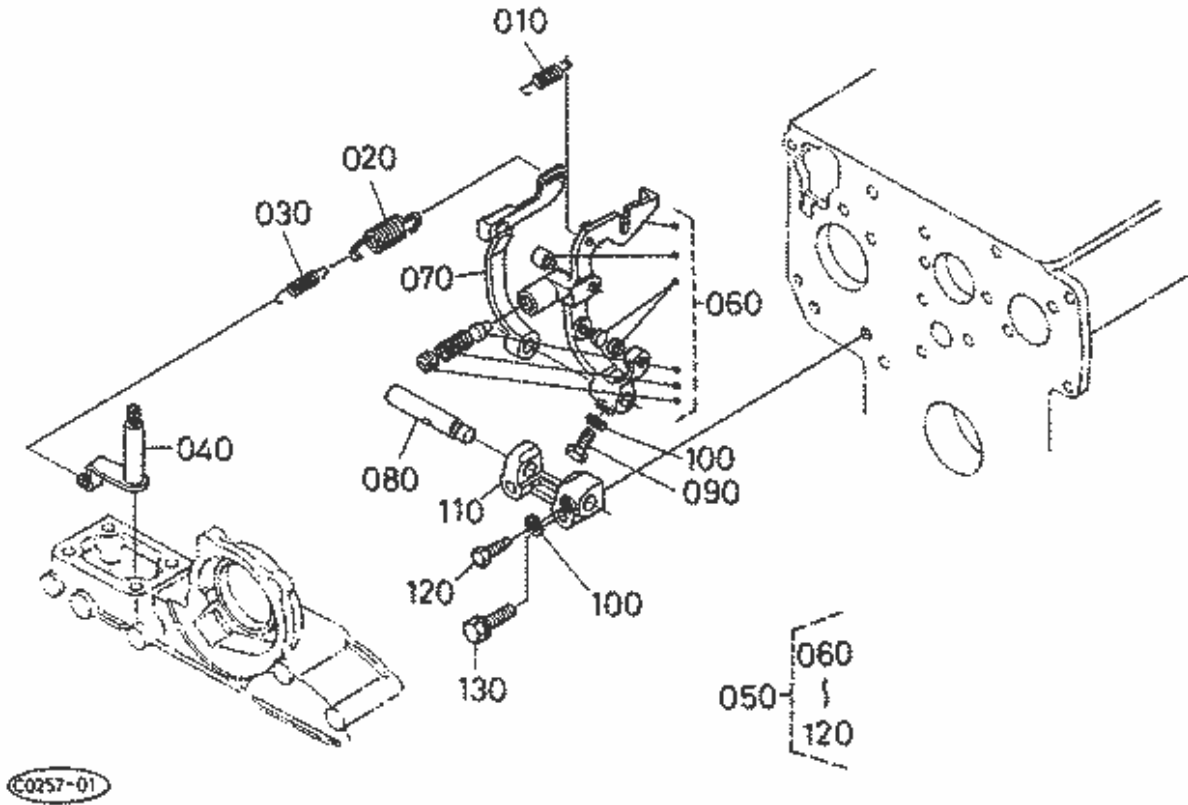


#	Title	Description	Part Number	Price	Stock	Job Qty
010	BOLT, ADJUSTING	BOLT, ADJUSTING	15531-54120	\$4.96	5-10 business days	1
020	NUT	NUT	15531-92030	\$1.11	5-10 business days	1
030	GASKET, COPPER	GASKET, COPPER	15601-96650	\$6.77	10 In Stock	1
040	NUT, CAP	NUT, CAP	15841-14620	\$5.72	3 In Stock	1
050	CAP	CAP	16221-54420	\$6.00	5-10 business days	1
060	LEVER, SPEED CON	LEVER, SPEED CON	15741-57150	\$47.25	5-10 business days	1
070	KEY, FEATHER	KEY, FEATHER	15261-95010	\$3.29	5-10 business days	1
080	O'RING	O'RING	04811-00070	\$1.32	6 In Stock	1
090	WASHER, PLAIN	WASHER, PLAIN	04013-50060	\$0.71	57 In Stock	1
100	NUT	NUT	02012-70060	\$0.42	13 In Stock	2
110	PLATE, FRICTION	PLATE, FRICTION	15263-57380	\$18.04	5-10 business days	1
120	PLATE, SPEED CON	PLATE, SPEED CON	15531-57110	\$55.05	5-10 business days	1
130	GASKET	GASKET	15263-57210	\$4.93	5-10 business days	1
140	STUD	STUD	15221-88210	\$1.95	1 In Stock	1

150	BOLT	BOLT	01023-50620	\$1.41	11 In Stock	3
160	WASHER, SPRING	WASHER, SPRING	04512-50060	\$0.42	34 In Stock	1
170	NUT	NUT	02056-50060	\$0.42	17 In Stock	3

B9200DC-DP (4wd)

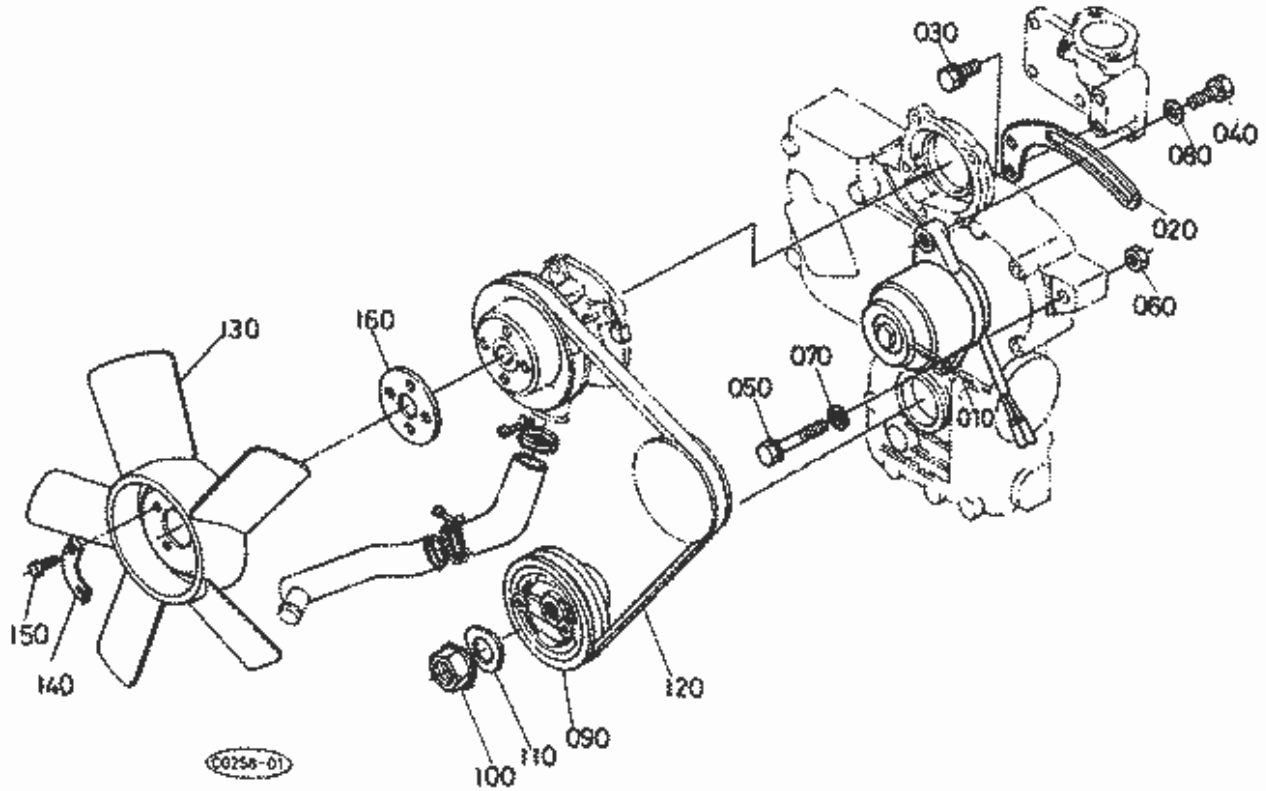
VENDOR: Kubota
SECTION: ENGINE
DIAGRAM: GOVERNOR



#	Title	Description	Part Number	Price	Stock	Job Qty
010	SPRING, START	SPRING, START	15221-56480	\$5.80	3 In Stock	1
020	SPRING,	SPRING, GOVERNOR	15531-56410	\$14.14	1 In Stock	1
030	SPRING,	SPRING, GOVERNOR	15531-56420	\$10.39	1 In Stock	1
040	LEVER, GOV ASSY	LEVER, GOV ASSY	15531-56020	\$37.69	5-10 business days	1
050	LEVER, ASSY FORK	LEVER, ASSY FORK	15694-56050	\$256.12	5-10 business days	1
060	LEVER, FORK	LEVER, FORK	15694-56040	\$112.74	5-10 business days	1
070	LEVER, FORK 2	LEVER, FORK 2	15531-56130	\$64.60	5-10 business days	1
080	SHAFT, FORK LEVE	SHAFT, FORK LEVE	15261-56150	\$30.58	5-10 business days	1
090	BOLT	BOLT	01053-50516	\$0.67	11 In Stock	1
100	WASHER, SPRING	WASHER, SPRING	04512-50050	\$0.42	13 In Stock	2
110	HOLDER, FORK LEV	HOLDER, FORK LEV	15261-56230	\$27.76	5-10 business days	1
120	BOLT	BOLT	15261-66410	\$6.04	5-10 business days	1
130	BOLT *	BOLT *	01023-50628	\$1.73	5-10 business days	2

B9200DC-DP (4wd)

VENDOR: Kubota
SECTION: ENGINE
DIAGRAM: DYNAMO

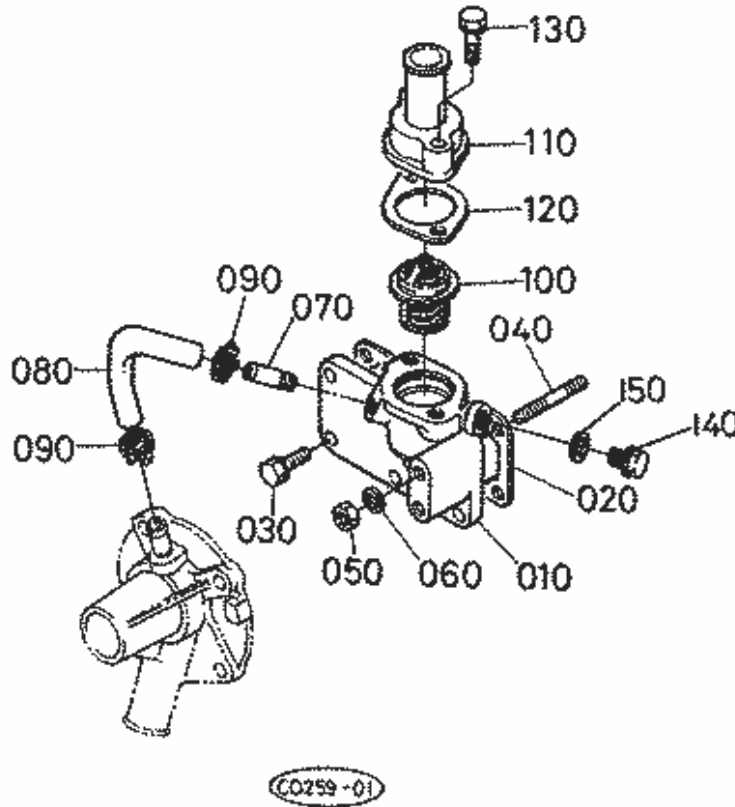


#	Title	Description	Part Number	Price	Stock	Job Qty
010	Alternator/Dynamo		15531-64017	\$232.14	3 In Stock	1
020	STAY, DYNAMO	STAY, DYNAMO	15531-64420	\$17.13	5-10 business days	1
030	BOLT, W/WASHER	BOLT, W/WASHER	01023-50616	\$1.15	25 In Stock	1
040	BOLT/WWASHR	BOLT/WWASHR	01123-50825	\$1.41	33 In Stock	1
050	BOLT	BOLT	01123-50860	\$1.82	4 In Stock	1
060	NUT	NUT	02056-50080	\$1.95	12 In Stock	1
070	WASHER, PLAIN	WASHER, PLAIN	04013-50080	\$0.42	98 In Stock	1
080	WASHER, PLAIN	WASHER, PLAIN	04015-50080	\$0.42	16 In Stock	1
090	PULLEY, FAN DRIV	PULLEY, FAN DRIV	15741-74280	\$183.90	5-10 business days	1
100	NUT, CRANKSHAFT	NUT, CRANKSHAFT	15752-23360	\$14.43	5-10 business days	1
110	WASHER	WASHER	15752-23380	\$2.86	5-10 business days	1
120	BELT, FAN 362	BELT, FAN 362	1N132-97010	\$23.63	9 In Stock	1
130	FAN, DYNAMO	THIS PART HAS BEEN	15741-74110	\$78.71	5-10 business days	1
140	WASHER, FAN**	WASHER, FAN**	15131-74230	\$18.03	2 In Stock	2

150	BOLT	BOLT	01053-50616	\$0.94	14 In Stock	4
160	SPACER, FAN 5MM	SPACER, FAN 5MM	15752-74150	\$26.60	5-10 business days	1

B9200DC-DP (4wd)

VENDOR: Kubota
SECTION: ENGINE
DIAGRAM: WATER FLANGE



(0259-01)

#	Title	Description	Part Number	Price	Stock	Job Qty
010	FLANGE, COMP	FLANGE, COMP WAT	15582-72700	\$109.71	3 In Stock	1
020	GASKET	GASKET	15263-72920	\$5.72	11 In Stock	1
030	BOLT, W/WASHER	BOLT, W/WASHER	01023-50616	\$1.15	25 In Stock	5
040	STUD	STUD	01513-50655	\$1.67	1 In Stock	1
050	NUT	NUT	02056-50060	\$0.42	17 In Stock	1
060	WASHER, SPRING	WASHER, SPRING	04512-50060	\$0.42	34 In Stock	1
070	PIPE, WATER RETU	PIPE, WATER RETU	15531-73340	\$12.39	2 In Stock	1
080	HOSE, WATER	HOSE, WATER RETU	15531-73350	\$8.01	9 In Stock	1
090	BAND, PIPE	BAND, PIPE	15531-73360	\$3.88	6 In Stock	2
100	ASSY THERMOSTAT		15531-73014	\$42.74	13 In Stock	1
110	COVER,	COVER, THERMOSTA	15531-73260	\$36.56	5-10 business days	1
120	Thermostat Gasket		16851-73270	\$3.69	20 In Stock	1
130	BOLT *	BOLT *	01023-50635	\$1.48	11 In Stock	2
140	PLUG	PLUG	34150-36730	\$51.27	5-10 business days	1

150 GASKET

GASKET

04714-00300

\$1.27

11 In Stock

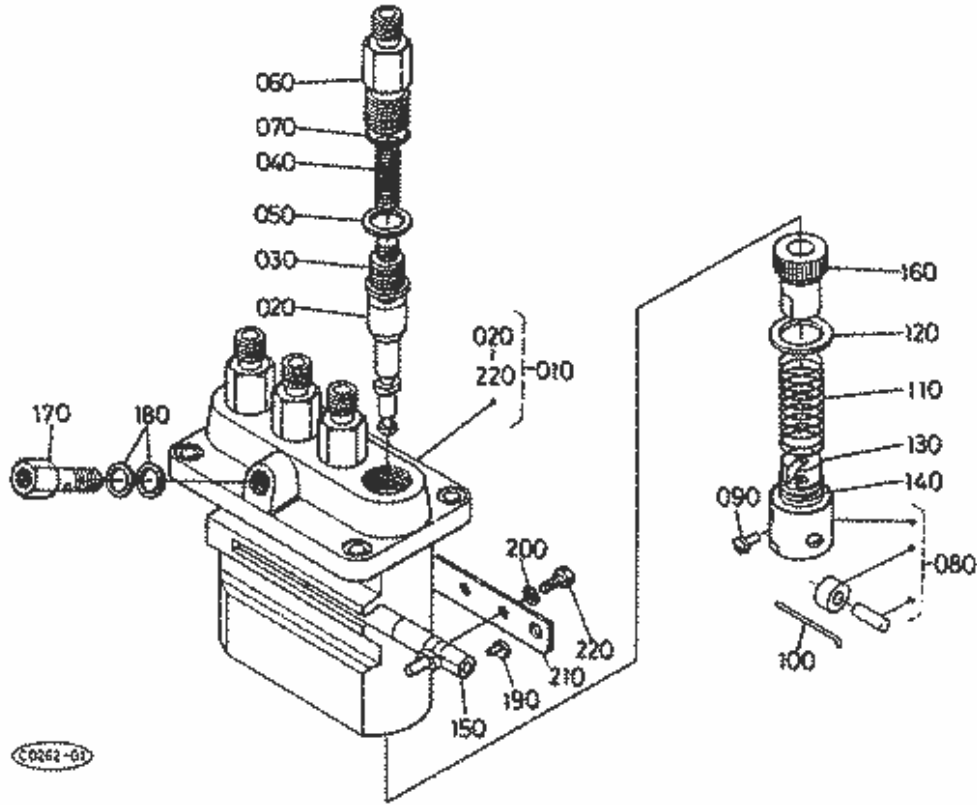
1

B9200DC-DP (4wd)

VENDOR: Kubota

SECTION: ENGINE

DIAGRAM: INJECTION PUMP (SECTION PARTS)

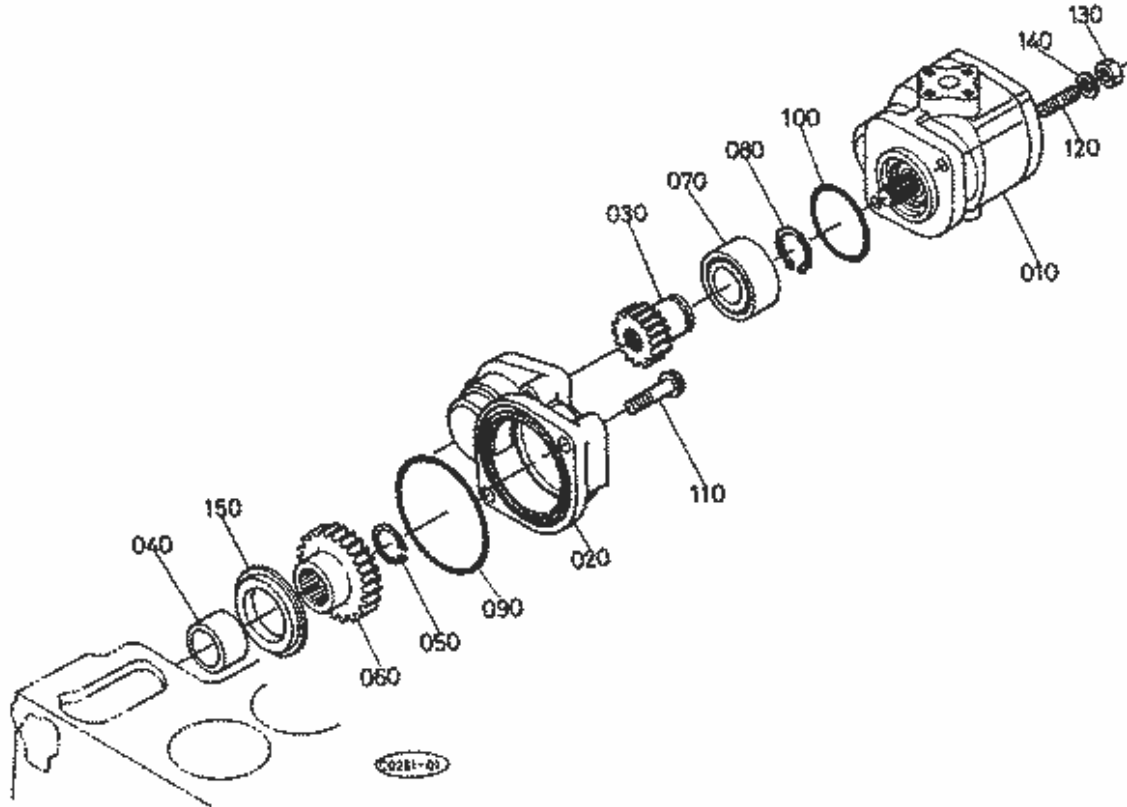


#	Title	Description	Part Number	Price	Stock	Job Qty
010	PUMP, INJECTION	PUMP, INJECTION	15442-51010	\$1495.98	5-10 business days	1
020	PLUNGER,	PLUNGER, ELEMENT	15261-51050	\$139.25	5-10 business days	4
030	VALVE, DELIVERY	VALVE, DELIVERY	15261-51030	\$45.28	5-10 business days	4
040	SPRING, DEL VALV	SPRING, DEL VALV	15331-51230	\$3.12	3 In Stock	4
050	GASKET, DEL VALV	GASKET, DEL VALV	15331-51240	\$4.79	9 In Stock	4
060	HOLDER, DELIV VA	HOLDER, DELIV VA	15331-51220	\$15.37	5-10 business days	4
070	O RING	O RING	04816-00150	\$1.67	37 In Stock	4
080	TAPPET, ASSY	TAPPET, ASSY	15331-51070	\$90.56	5-10 business days	4
090	PIN, TAPPET GUID	PIN, TAPPET GUID	15331-51250	\$8.70	5-10 business days	4
100	PIN, CLAMP	PIN, CLAMP	15331-51430	\$4.28	5-10 business days	1
110	SPRING, PLUNGER	SPRING, PLUNGER	17331-51280	\$18.45	5-10 business days	4
120	SEAT, UPPER SPRI	SEAT, UPPER SPRI	15331-51270	\$9.13	5-10 business days	4
130	SEAT, LOWER SPRI	SEAT, LOWER SPRI	15331-51290	\$26.10	5-10 business days	4
140	SHIM	SHIM	15381-51490	\$15.33	5-10 business days	1

150	RACK, CONTROL	RACK, CONTROL	15331-51062	\$66.98	5-10 business days	1
160	SLEEVE, CONTROL	SLEEVE, CONTROL	15331-51380	\$36.17	2 In Stock	4
170	SCREW, FOLLOW	SCREW, FOLLOW	15471-51320	\$14.75	1 In Stock	1
180	WASHER, NIPPLE	WASHER, NIPPLE	15401-96650	\$2.66	6 In Stock	2
190	COLLAR	COLLAR	15331-51480	\$45.28	1 In Stock	2
200	WASHER, SPRING	WASHER, SPRING	15381-94090	\$3.49	5-10 business days	2
210	PLATE, ADJUST	PLATE, ADJUST	15381-51390	\$19.27	5-10 business days	1
220	BOLT	BOLT	15331-91010	\$7.12	5-10 business days	2

B9200DC-DP (4wd)

VENDOR: Kubota
SECTION: ENGINE
DIAGRAM: HYDRAULIC PUMP



#	Title	Description	Part Number	Price	Stock	Job Qty
010	PUMP, ASSY HYDRAPUMP, ASSY HYDRA		31391-76600	\$1108.45	5-10 business days	1
020	HOLDER, GEAR	HOLDER, GEAR PUM	66361-36410	\$466.03	5-10 business days	1
030	GEAR	GEAR	66361-36520	\$123.31	5-10 business days	1
040	COLLAR	COLLAR	66591-14320	\$10.49	5-10 business days	1
050	CIR-CLIP, EXTERN	CIR-CLIP, EXTERN	04612-00190	\$0.94	12 In Stock	1
060	GEAR 29	GEAR 29	67810-36510	\$153.86	5-10 business days	1
070	BEARING BALL RAD	BEARING BALL RAD	08241-05205	\$36.93	3 In Stock	1
080	CIR-CLIP	CIR-CLIP	04612-00250	\$1.25	40 In Stock	1
090	O-RING	O-RING	04811-10750	\$4.74	5 In Stock	1
100	O-RING	O-RING	04811-10530	\$3.68	3 In Stock	1
110	BOLT, FLANGE	BOLT, FLANGE	01754-50842	\$3.77	5-10 business days	2
120	STUD	STUD	01513-50820	\$1.25	7 In Stock	2
130	NUT	NUT	02156-50080	\$0.71	64 In Stock	2
140	WASHER,SPRING*CR	WASHER,SPRING*CR	04512-50080	\$1.02	31 In Stock	2

150 BUSH

BUSH

67810-36480

\$28.05

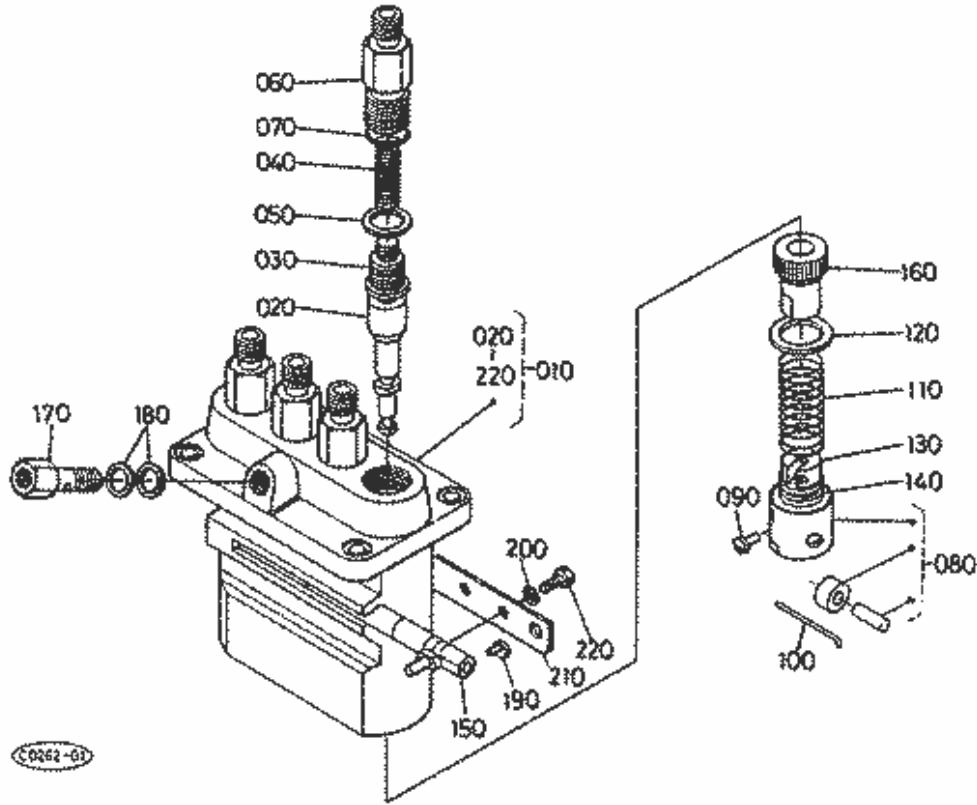
5-10 business days 1

B9200DC-DP (4wd)

VENDOR: Kubota

SECTION: ENGINE

DIAGRAM: INJECTION PUMP (SECTION PARTS)



#	Title	Description	Part Number	Price	Stock	Job Qty
010	PUMP, INJECTION	PUMP, INJECTION	15442-51010	\$1495.98	5-10 business days	1
020	PLUNGER,	PLUNGER, ELEMENT	15261-51050	\$139.25	5-10 business days	4
030	VALVE, DELIVERY	VALVE, DELIVERY	15261-51030	\$45.28	5-10 business days	4
040	SPRING, DEL VALV	SPRING, DEL VALV	15331-51230	\$3.12	3 In Stock	4
050	GASKET, DEL VALV	GASKET, DEL VALV	15331-51240	\$4.79	9 In Stock	4
060	HOLDER, DELIV VA	HOLDER, DELIV VA	15331-51220	\$15.37	5-10 business days	4
070	O RING	O RING	04816-00150	\$1.67	37 In Stock	4
080	TAPPET, ASSY	TAPPET, ASSY	15331-51070	\$90.56	5-10 business days	4
090	PIN, TAPPET GUID	PIN, TAPPET GUID	15331-51250	\$8.70	5-10 business days	4
100	PIN, CLAMP	PIN, CLAMP	15331-51430	\$4.28	5-10 business days	1
110	SPRING, PLUNGER	SPRING, PLUNGER	17331-51280	\$18.45	5-10 business days	4
120	SEAT, UPPER SPRI	SEAT, UPPER SPRI	15331-51270	\$9.13	5-10 business days	4
130	SEAT, LOWER SPRI	SEAT, LOWER SPRI	15331-51290	\$26.10	5-10 business days	4
140	SHIM	SHIM	15381-51490	\$15.33	5-10 business days	1

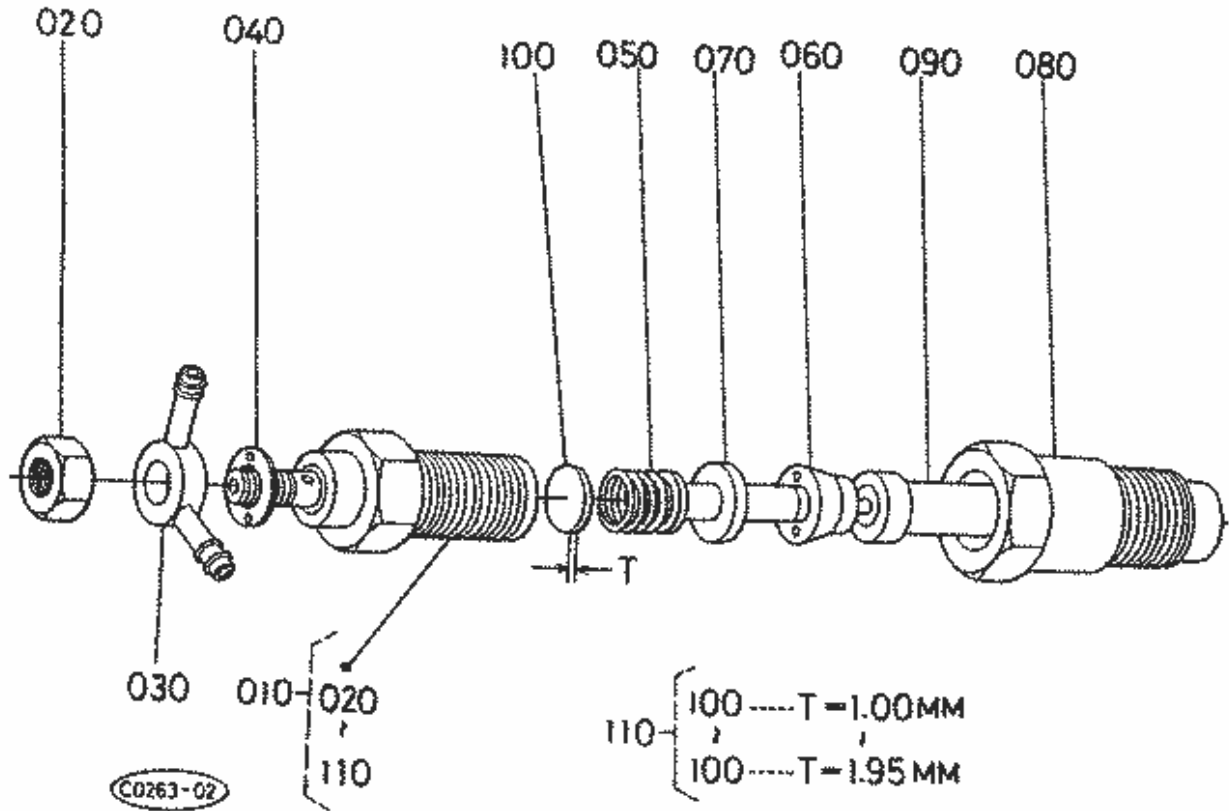
150	RACK, CONTROL	RACK, CONTROL	15331-51062	\$66.98	5-10 business days	1
160	SLEEVE, CONTROL	SLEEVE, CONTROL	15331-51380	\$36.17	2 In Stock	4
170	SCREW, FOLLOW	SCREW, FOLLOW	15471-51320	\$14.75	1 In Stock	1
180	WASHER, NIPPLE	WASHER, NIPPLE	15401-96650	\$2.66	6 In Stock	2
190	COLLAR	COLLAR	15331-51480	\$45.28	1 In Stock	2
200	WASHER, SPRING	WASHER, SPRING	15381-94090	\$3.49	5-10 business days	2
210	PLATE, ADJUST	PLATE, ADJUST	15381-51390	\$19.27	5-10 business days	1
220	BOLT	BOLT	15331-91010	\$7.12	5-10 business days	2

B9200DC-DP (4wd)

VENDOR: Kubota

SECTION: ENGINE

DIAGRAM: NOZZLE HOLDER (SECTION PARTS)



#	Title	Description	Part Number	Price	Stock	Job Qty
010	HOLDER, NOZZLE	HOLDER, NOZZLE	70000-65400	\$94.54	4 In Stock	4
020	NUT	NUT	70000-65250	\$1.37	2 In Stock	4
030	RING	RING	70000-65258	\$9.62	4 In Stock	4
040	WASHER, PLAIN	WASHER, PLAIN	70000-65252	\$1.37	14 In Stock	4
050	SPRING	SPRING	70000-65210	\$3.91	5-10 business days	4
060	SHIM	SHIM	70000-65213	\$8.71	5-10 business days	4
070	ROD, PUSH	ROD, PUSH	15221-53160	\$3.88	5-10 business days	4
080	NUT, NOZZLE	NUT, NOZZLE	70000-65212	\$9.43	5-10 business days	4
090	PIECE, NOZZLE	PIECE, NOZZLE	19202-53610	\$156.77	5-10 business days	4
100	WASHER,ADJ. T=1.	WASHER,ADJ. T=1.	70000-65261	\$1.46	5-10 business days	4
100	WASHER,ADJ. T=1.	WASHER,ADJ. T=1.	70000-65262	\$1.46	5-10 business days	4
100	WASHER, ADJUSTIN	WASHER, ADJUSTIN	15221-98130	\$1.36	5-10 business days	4
100	WASHER,ADJ. T=1.	WASHER,ADJ. T=1.	70000-65264	\$1.46	5-10 business days	4
100	WASHER,ADJ. T=1.	WASHER,ADJ. T=1.	70000-65265	\$1.46	5-10 business days	4

100	WASHER,ADJ. T=1.	WASHER,ADJ. T=1.	70000-65266	\$1.46	5-10 business days	4
100	WASHER,ADJ. T=1.	WASHER,ADJ. T=1.	70000-65267	\$1.43	5-10 business days	4
100	WASHER,ADJ. T=1.	WASHER,ADJ. T=1.	70000-65268	\$1.46	5-10 business days	4
100	WASHER,ADJ. T=1.	WASHER,ADJ. T=1.	70000-65269	\$1.43	5-10 business days	4
100	WASHER,ADJ. T=1.	WASHER,ADJ. T=1.	70000-65270	\$1.43	5-10 business days	4
100	WASHER,ADJ. T=1.	WASHER,ADJ. T=1.	70000-65302	\$1.43	5-10 business days	4
100	WASHER, ADJUSTIN	WASHER, ADJUSTIN	15221-98220	\$1.78	5-10 business days	4
100	WASHER,ADJ. T=1.	WASHER,ADJ. T=1.	70000-65273	\$1.43	5-10 business days	4
100	WASHER,ADJ. T=1.	WASHER,ADJ. T=1.	70000-65299	\$1.43	5-10 business days	4
100	WASHER,ADJ. T=1.	WASHER,ADJ. T=1.	70000-65300	\$1.43	5-10 business days	4
100	WASHER,ADJ. T=1.	WASHER,ADJ. T=1.	70000-65301	\$1.43	5-10 business days	4
100	WASHER,ADJ. T=1.	WASHER,ADJ. T=1.	70000-65302	\$1.43	5-10 business days	4
100	WASHER, ADJUSTIN	WASHER, ADJUSTIN	15221-98280	\$1.78	5-10 business days	4
100	WASHER,ADJ. T=1.	WASHER,ADJ. T=1.	70000-65304	\$1.43	5-10 business days	4
100	WASHER,ADJ. T=1.	WASHER,ADJ. T=1.	70000-65305	\$1.43	5-10 business days	4
110	WASHER, ADJ ASSY	WASHER, ADJ ASSY	15221-98100	\$26.68	5-10 business days	4