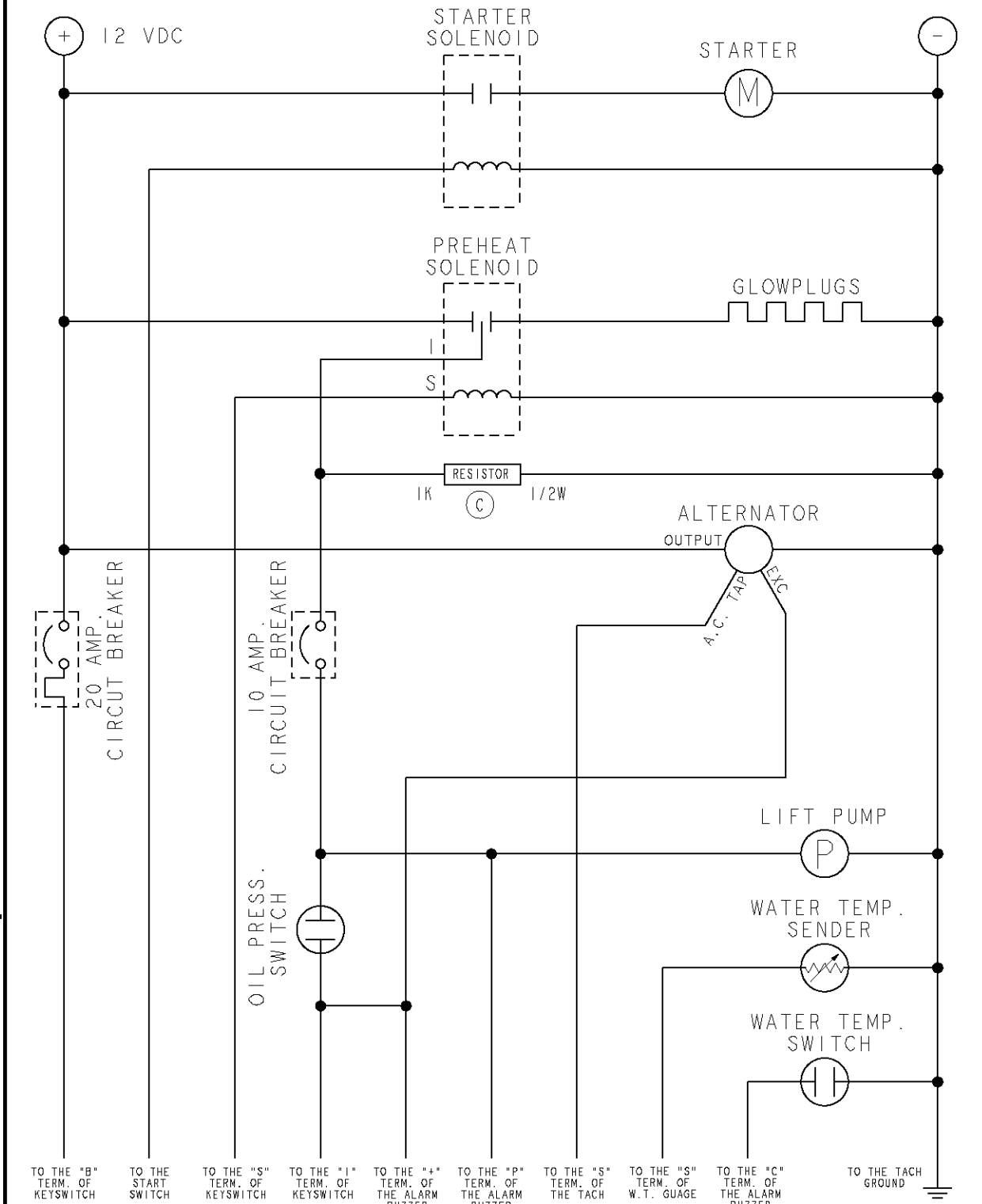
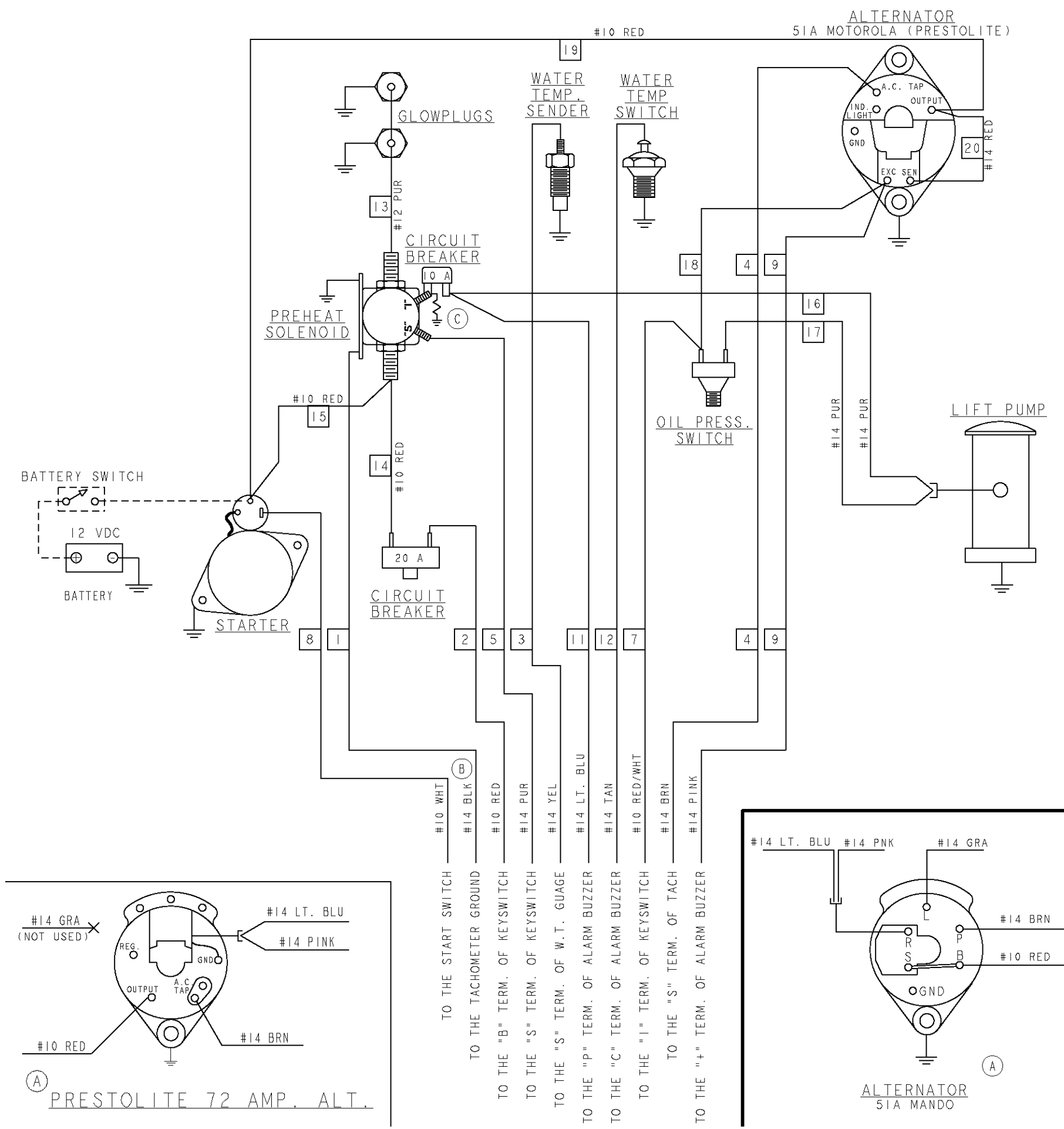


ECO NO.	DATE	REV.	REVISION RECORD	AUTH.	DR. BY
3129	11/20/96	A	ADD MANDO 51 AMP. ALTERNATOR		BRN
3727	5-14/98	B	CHANGED WIRE #1 FROM GRN TO BLK		MB
4200	9/1/99	C	ADDED RESISTOR		JRS



TOLERANCES (UNLESS OTHERWISE NOTED)		WESTERBEKE CORPORATION TAUNTON, MA. 02780	
INCHES	MILLIMETERS	TITLE	
XX : .125	X. : .	DIAGRAM, ENGINE WIRING - CATALINA	
.XXX : .063	.X. : .	MARINE ENGINES	
CST : .125	.XX : .	DRAWN BY	DATE
ANGLES : 4°		WHM	5 FEB 93
FINISH		MATERIAL	
DIMENSIONS		APPROVED BY	DATE
INCHES			
MILLIMETERS		SCALE	NONE
(WHEN APPLICABLE)		SIZE	DRAWING NUMBER
		SHT. 1 OF 1	D 200360
		REV.	C