



SERVICE MANUAL

Volume 6



LEWMAR

Introduction

Lewmar is the world's leading manufacturers of yacht winches. Our manufacturing facilities set the highest standards in quality materials and performance. Each Lewmar winch is tested to ensure that at all stages in the manufacturing process it conforms to the Lewmar requirements of dimensional accuracy, rated strength and operating efficiency. Our winches are approved to Lloyds standards and in practice are in excess of them.

Lewmar winches are constantly being tested in the latest racing competition, abroad leading ocean racers around the world and, whether racing or cruising, they are rated for their long life and performance.

However, as with any precision engineered assembly, Lewmar winches need regular maintenance to operate at peak efficiency and, without this attention, permanent damage and premature wear can result.

This Manual gives the most complete details of the sequence and techniques required to dismantle completely, service and assemble each winch in the Lewmar range.

Lewmar has a worldwide network of offices and distributors who carry stocks of spare parts and spare kits. Expert advice and assistance is available for any servicing or repair problem.

Guarantee

Lewmar winches have been developed over many years by extensive testing aboard the world's finest ocean racers, long distance cruising yachts and match racing yachts such as 12 metres. They are manufactured to quality standards in excess of those required by Lloyds and only the finest materials are used.

If installed, used and maintained as described in this Manual they will give outstanding performance.

Warranty

For Lewmar Warranty Details see page 19.

Service Notes

For satisfactory long term performance and product life these winches must be given the routine and full maintenance procedure described below.

1. **MONTHLY:** All Lewmar winches should be hosed down with fresh water then lightly oiled and greased as detailed in the separate free leaflet, "How to service your Lewmar Winch"
2. **TWO OR THREE TIMES DURING ACTIVE SAILING SEASON:** All Lewmar winches should be stopped, cleared and relubricated.
3. **AT THE END OF EACH SAILING SEASON OR BEFORE STARTING THE NEW SEASON:** All Lewmar winches should be completely stripped, cleaned, thoroughly checked for damage, lubricated and reassembled as detailed in this Service Manual.

Dismantling

Lewmar winches are simple to dismantle and are designed for easy maintenance. The exploded view drawings show how the component parts can be removed easily from each winch.

Assembly

Winches must be assembled in the reverse sequence to the order of dismantling.

Mounting

All winches must be mounted using the correct size and type of retaining bolts. Having decided on the correct winch position, The drum must be removed as detailed in the maintenance instructions for mounting. The winch must be mounted on a flat clean surface.

The hole centres for the winch retaining bolts must be marked off and drilled separately. The winch should be bedded on a LIGHT coating of sealing compound to stop leaks - too much compound gets in the gears and pawls.

The winch retaining fastenings must be securely tightened (but not overtightened). The winch is self draining and care must be taken to ensure the drain holes are not blocked.

Handles

All current winches accept any standard international handle (Lewmar black grip handle).

Recommended Lubricants

Grease

Lewmar Grease 7010 (Lubriplate Marine Lube 'A', etc)

Oil

Light Machine Oil (3-in-1 or equivalent)

Service and Spares

Full service facilities for Lewmar winches are provided at our factory and subsidiary companies and by our distributors and service centres worldwide.

A full listing is provided on the inside back cover.

Parts pricing is subject to change. Apply to your nearest Lewmar office or distributor for current price lists.

Contents Volume 6

	Introduction Date (Mod.)	Page No.
Single Speed Winches		
6 and 7	Jan 1976 (July 86)	3
6	Jan 1976 (July 86)	4
To Speed Winches		
16	Mar 1984	5
24, 30 and 40	Mar 1984	6
43/46	Jan 1984	7
52	Dec 1984	8
Self-Tailing Winches		
16	Jan 1984	9
30	Mar 1983	10
40	Jan 1984	11
43/46	Mar 1983	12
52	Dec 1984	13
56	May 1987	13
66	Dec 1988	14
Halliard Reel Winches		
1	Jan 1976	15
Winch Handles		
16		
Owners Servicing Log		
17		
Further Information		
18		
Lewmar Subsidiary Addresses and Lewmar Guarantee		
19		



Lloyd's Certificate

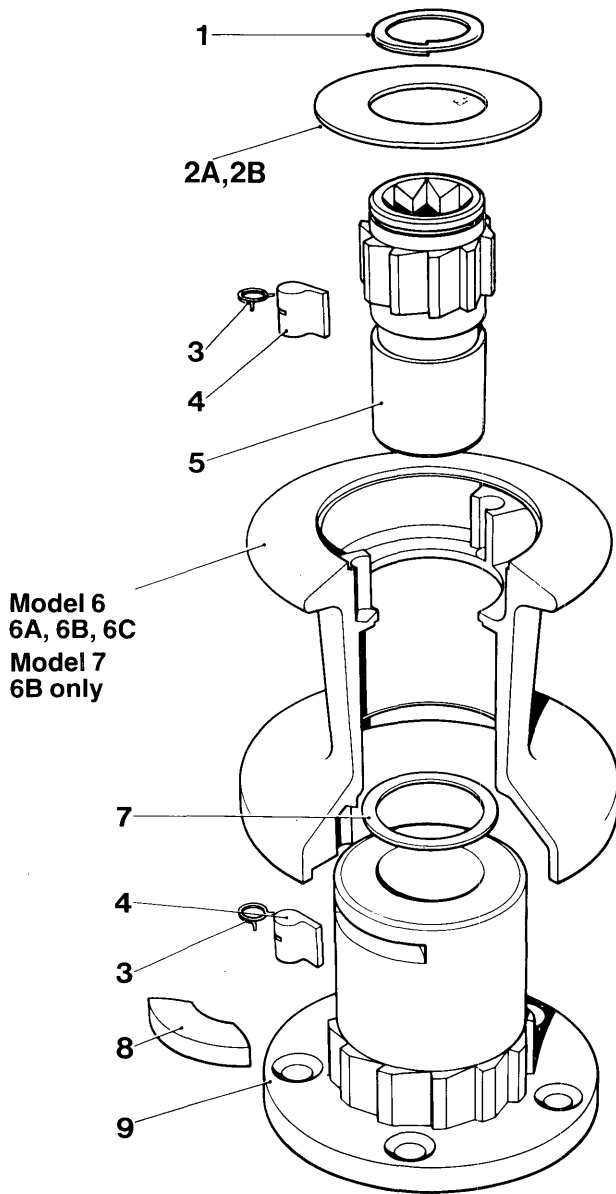
Lloyd's made a very careful examination of the material, design, construction, quality control and test procedures used by Lewmar and approved all the existing systems without alteration.

Spares Kit

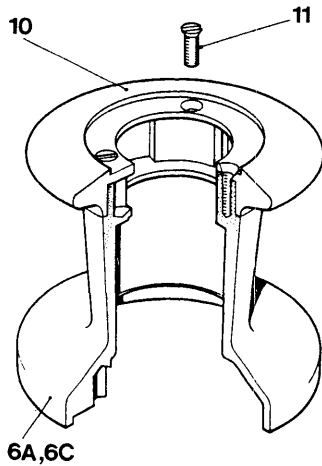
- 7001 **Basic Winch Servicing Kit** (4 circlips, pawls, pawl springs)
- 7002 **Winch Servicing Kit 4** (4 circlips, 8 pawls, 12 pawl springs, 3 keys, 2 pan head screws - self tailors)
- 7003 **Three Speed Winch Servicing Kit**
- 7009 **Allen Key set**
- 7010 **Grease.** Packed in handy 100g plastic tube.
- 7011 **Grease.** Packed in handy 300gm plastic tub.
Packed in handy 100g plastic tubes, or 300gm tubs, this waterproof grease contains solid activation which aids the load carrying characteristics of a winch. It is also suitable for trailer wheel bearings, steering gear, hydraulic equipment, outboard engines and many other marine applications.
- 7012 **Assembly Paste.** Packed in a handy 300gm tub.
- 7013 **Naval Jelly** Packed in a 200ml jar.
Removes staining of stainless steel surfaces and passivates the material

Ask your nearest Dealer/Distributor for a copy of the "How to Service your Lewmar Winch".

Nos. 6/7



Model 7B, 7C only



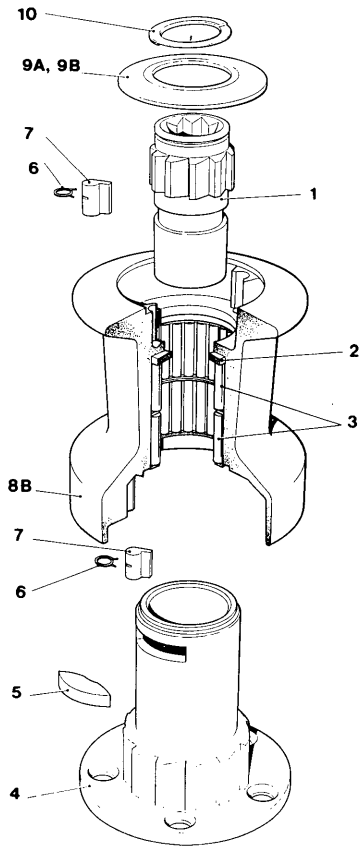
No. 6 1 Speed Winch

Item No.	Part No.	Description	No. Off
1	B2075	Circlip	1
2A	15000388	Top Cap - Alloy Drum	1
2B	18000048	Top Cap - Chrome & Br Drum	1
3	1260/7	Pawl Spring	4
4	1260/8	Pawl	4
5	15000148	Spindle	1
6A	15006102	Drum - Chrome	1
6B	15000363	Drum - Alloy	1
6C	15000660	Drum - Bronze	1
7	15006004	Washer	1
8	15006005	Key	1
9	15000144	Centre Stem	1

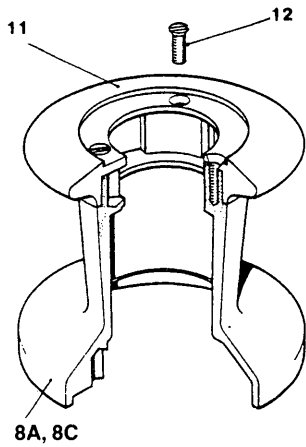
No. 7 1 Speed Winch

Item No.	Part No.	Description	No. Off
1	B2075	Circlip	1
2A	15000443	Top Cap - Alloy Drum	1
2B	15000478	Top Cap - Chrome & Br Drum	1
3	1260/7	Pawl Spring	4
4	1260/8	Pawl	4
5	15000148	Spindle	1
6A	15000650	Drum - Chrome	1
6B	15000364	Drum - Alloy	1
6C	15000661	Drum - Bronze	1
7	15006004	Washer	1
8	15010005	Key	1
9	15000143	Centre Stem	1
10	15000652	Crown	1
11	15000527	Screw	3

No.8



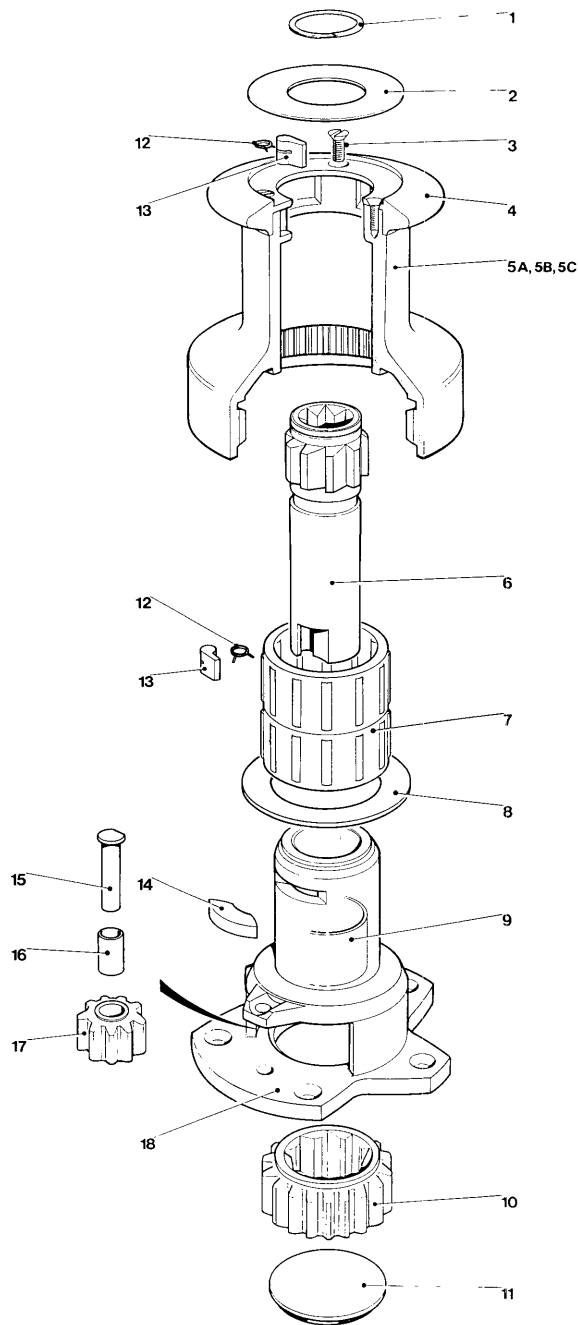
Model 8B, 8C only



No. 8 1 Speed Winch

Item No.	Part No.	Description	No. Off
1	15008003	Spindle	1
2	15008004	Drum Washer	1
3	15008007	Roller Bearing	2
4	15008001	Centre Stem	1
5	15008005	Key	1
6	1260/7	Pawl Spring	4
7	1260/8	Pawl	4
8A	15000650	Drum - Chrome	1
8B	15000364	Drum - Alloy	1
8C	15000661	Drum - Bronze	1
9A	15000434	Top Cap - Alloy	1
9B	15000478	Top Cap - Chrome & Br Drum	1
10	B2075	Circlip	1
11	15000651	Crown	1
12	15000527	Screw	3

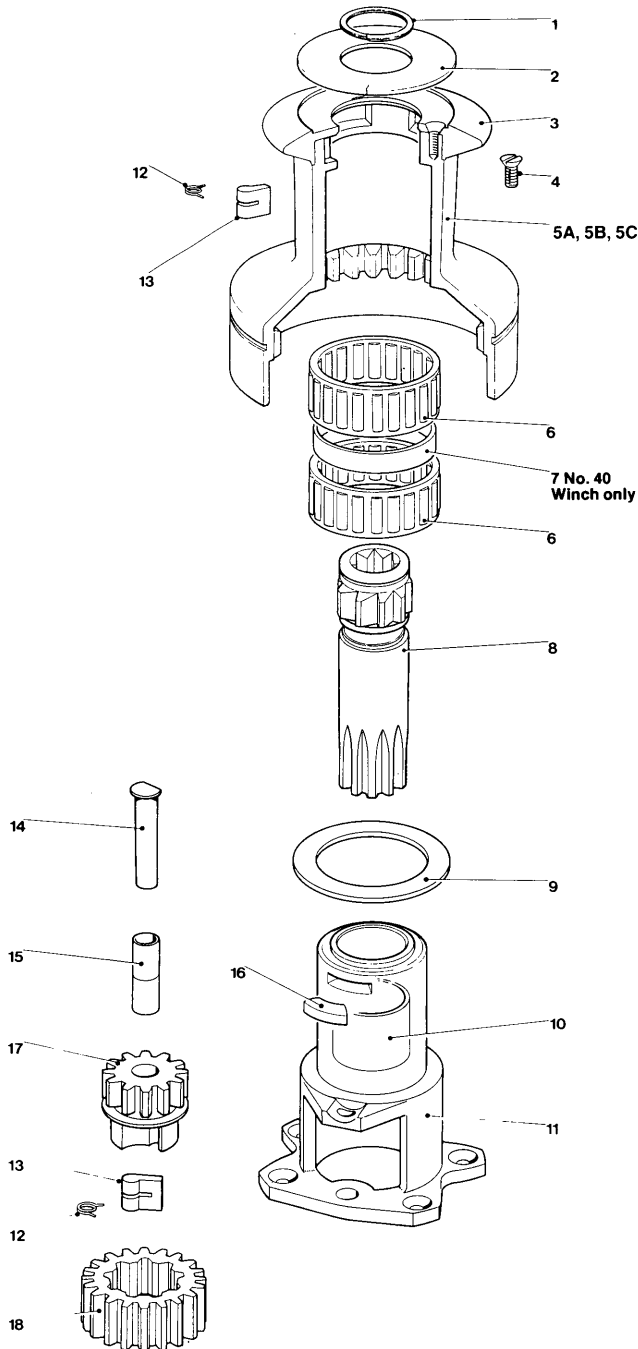
No. 16



No. 16 2 Speed Winch

Item No.	Part No.	Description	No. Off
1	B2075	Circlip	1
2	15000478	Top Cap	1
3	15000527	Csk Hd Posidriv Screw	
		M5 x 12mm Long	3
4	15000457	Crown	1
5A	15000453	Drum - Chrome	1
5B	15000454	Drum - Alloy	1
5C	15000662	Drum - Bronze	1
6	15000829	Spindle	1
7	15008007	Roller Bearing	2
8	15000466	Drum Washer	1
9	15000377	Main Spindle Sleeve	1
		Fitted to Item 18	
10	15000464	Ratchet Gear	1
11	15000461	Gear Retainer	1
12	1260/7	Pawl Spring	4
13	1260/8	Pawl	4
14	15008005	Key	1
15	15000463	Idler Spindle	1
16	15000378	Gear Spindle Sleeve	1
17	15000827	Idler Gear	1
18	15000450	Centre Stem	1

Nos. 24/30/40



No. 24 2 Speed Winch

Item No.	Part No.	Description	No. Off
1	B2075	Circlip	1
2	15000478	Top Cap	1
3	15000474	Crown	1
4	15000527	Csk Hd Posidriv Screw M5 x 12mm Long	3
5A	15000471	Drum - Chrome	1
5B	15000472	Drum - Alloy	1
5C	15000663	Drum - Bronze	1
6	15008007	Roller Bearing	2
7	-	-	-
8	15000830	Spindle	1
9	15000376	Drum Washer	1
10	15000377	Main Spindle Sleeve Fitted to Item 11	1
11	15000473	Centre Stem	1
12	1260/7	Pawl Spring	4
13	1260/8	Pawl	4
14	15000423	Gear Spindle	1
15	15000378	Gear Spindle Sleeve	2
16	15008005	Key	1
17	15000477	Pawl Gear	1
18	15000476	Ratchet Gear	1

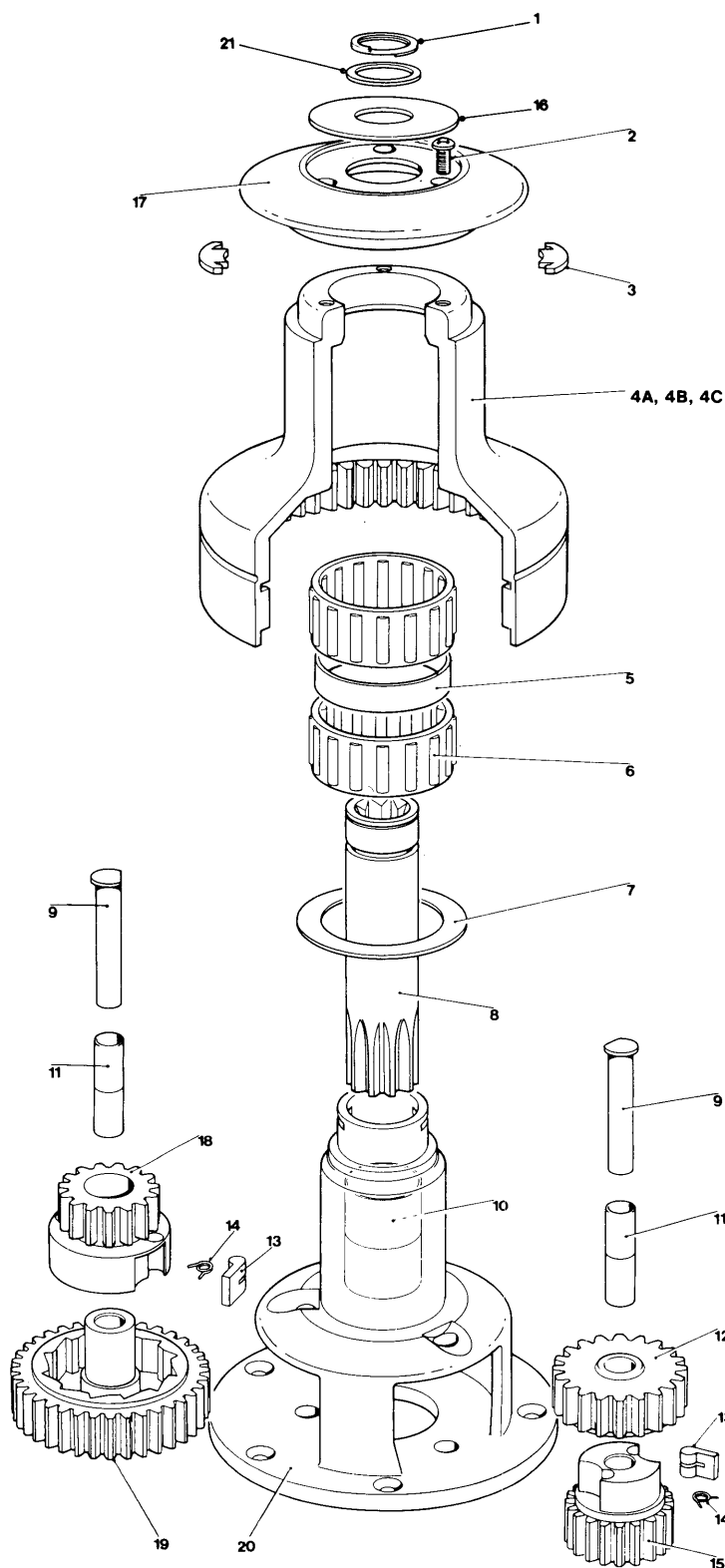
No. 30 2 Speed Winch

Item No.	Part No.	Description	No. Off
1	B2075	Circlip	1
2	15000433	Top Cap	1
3	15000374	Crown	1
4	15000527	Csk Hd Posidriv Screw M5 x 12mm Long	3
5A	15000448	Drum - Chrome	1
5B	15000447	Drum - Alloy	1
5C	15000664	Drum - Bronze	1
6	15008007	Roller Bearing	2
7	-	-	-
8	15000830	Spindle	1
9	15000466	Drum Washer	1
10	15000377	Main Spindle Sleeve Fitted to Item 11	1
11	15000467	Centre Stem	1
12	1260/7	Pawl Spring	4
13	1260/8	Pawl	4
14	15000385	Gear Spindle	1
15	15000378	Gear Spindle Sleeve	2
16	15008005	Key	1
17	15000470	Pawl Gear	1
18	15000469	Ratchet Gear	1

No. 40 2 Speed Winch

Item No.	Part No.	Description	No. Off
1	B2075	Circlip	1
2	15000433	Top Cap	1
3	15000495	Crown	1
4	15000527	Csk Hd Posidriv Screw M5 x 12mm Long	3
5A	15000492	Drum - Chrome	1
5B	15000492	Drum - Alloy	1
5C	15000665	Drum - Bronze	1
6	15008007	Roller Bearing	2
7	15000491	Spacer	1
8	15000831	Spindle	1
9	15000466	Drum Washer	1
10	15000377	Main Spindle Sleeve Fitted to Item 11	1
11	15000494	Centre Stem	1
12	1260/7	Pawl Spring	4
13	1260/8	Pawl	4
14	15000486	Gear Spindle	1
15	15000378	Gear Spindle Sleeve	2
16	15008005	Key	1
17	15000490	Pawl Gear	1
18	15000496	Ratchet Gear	1

Nos. 43/46



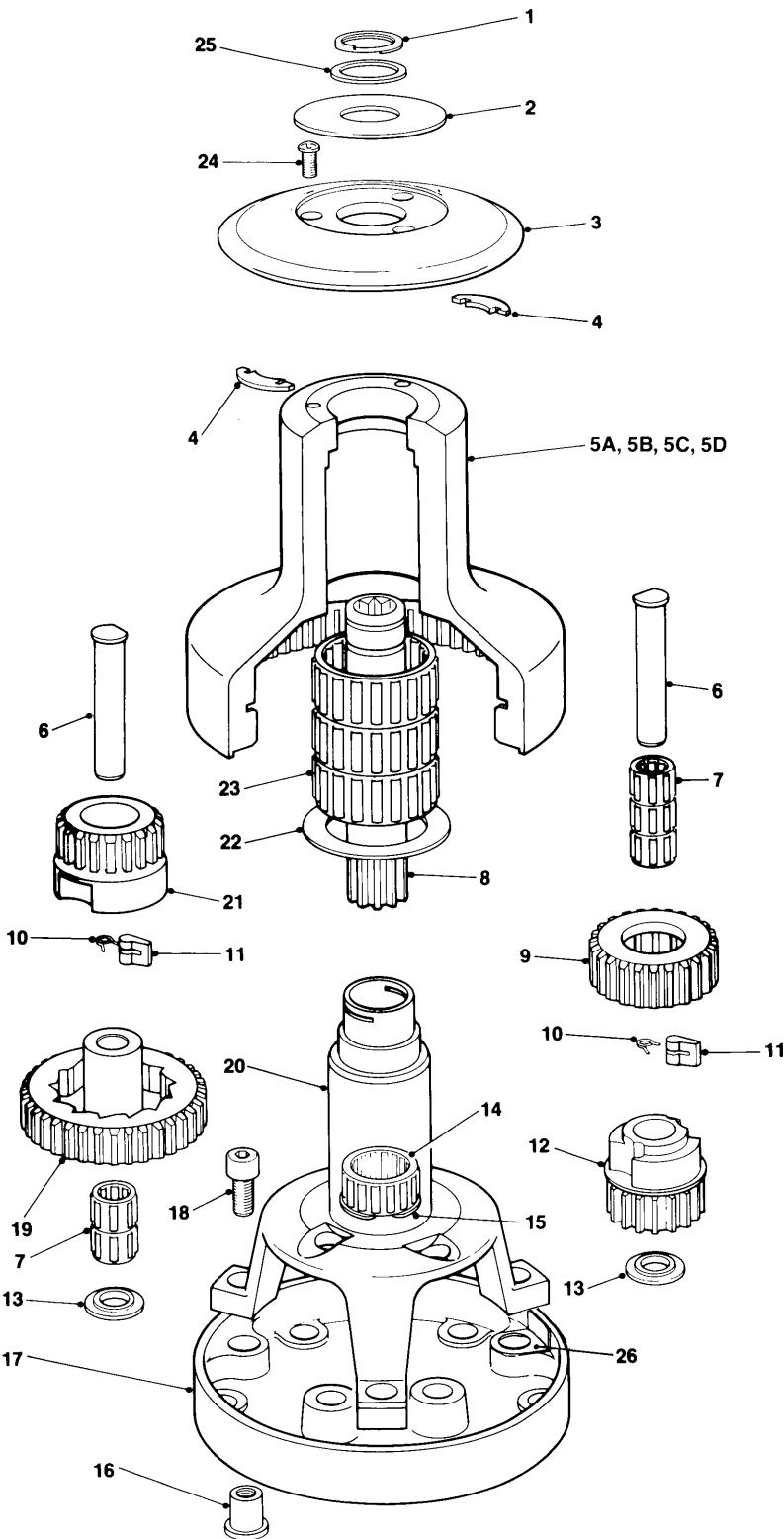
No. 43 2 Speed Winch

Item No.	Part No.	Description	No. Off
1	B2075	Circlip	1
2	B0325	Pan Hd Posidriv Screw M5 x 12mm Long	3
3	15001430	Collet	2
4A	15000410	Drum - Chrome	1
4B	15000411	Drum - Alloy	1
4C	15000666	Drum - Bronze	1
5	15010008	Spacer	1
6	15010007	Roller Bearing	2
7	15034638	Drum Washer	1
8	15000832	Spindle	1
9	15000422	Gear Spindle	2
10	15000377	Main Spindle Sleeve Fitted to Item 20	2
11	15000398	Gear Spindle Sleeve	4
12	15000418	Ratchet Gear	1
13	1260/8	Pawl	4
14	1260/7	Pawl Spring	4
15	15000397	Pawl Gear	1
16	15000433	Top Cap	1
17	15000416	Crown	1
18	15000419	Pawl Gear	1
19	15000417	Ratchet Gear	1
20	15001544	Centre Stem	1
21	15000684	Washer	1

No. 46 2 Speed Winch

Item No.	Part No.	Description	No. Off
1	B2075	Circlip	1
2	B0325	Pan Hd Posidriv Screw M5 x 12mm Long	3
3	15001430	Collet	2
4A	15000391	Drum - Chrome	1
4B	15000392	Drum - Alloy	1
4C	15000667	Drum - Bronze	1
5	15010404	Spacer	1
6	15044121	Cage Assy.	2
7	15044116	Drum Washer	1
8	15000833	Spindle	1
9	15000394	Gear Spindle	2
10	15000377	Main Spindle Sleeve Fitted to Item 20	2
11	15000398	Gear Spindle Sleeve	4
12	15000396	Ratchet Gear	1
13	1260/8	Pawl	4
14	1260/7	Spring	4
15	15000397	Pawl Gear	1
16	15000433	Top Cap	1
17	15000430	Crown	1
18	15000393	Pawl Gear	1
19	15000395	Ratchet Gear	1
20	15001546	Centre Stem	1
21	15000684	Washer	1

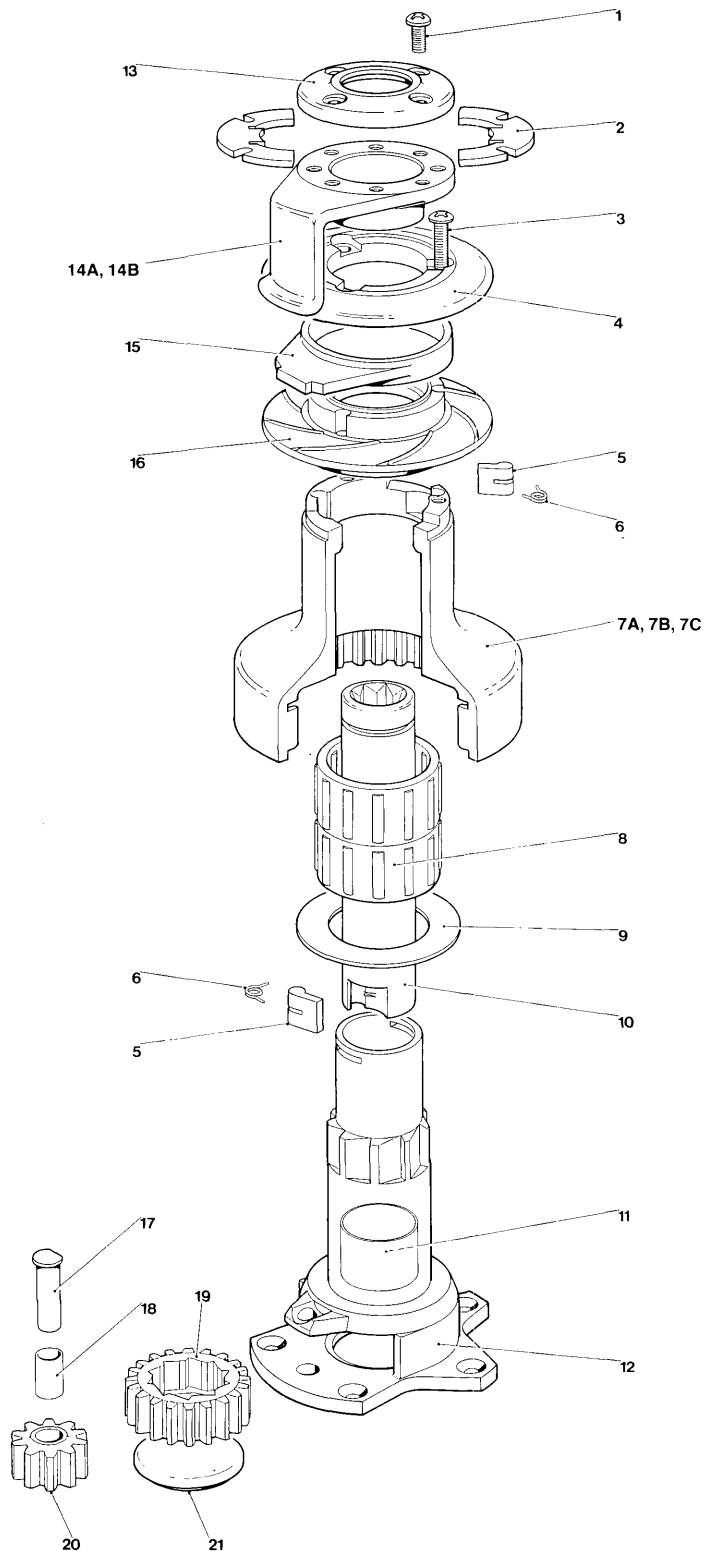
No. 52



No. 52 2 Speed Winch

Item No.	Part No.	Description	No. Off
1	B2075	Circlip	1
2	15000643	Top Cap	1
3	15000647	Crown	1
4	15001430	Collet	2
5A	15000633	Drum - Alloy	1
5B	18000095	Drum - Stainless Steel	1
5C	15000653	Drum - Chrome	1
5D	15000654	Drum - Bronze	1
6	15000645	Gear Spindle	2
7	15000017	Roller Bearing	5
8	15000834	Spindle	1
9	15000627	Ratchet Gear	1
10	1260/7	Pawl Spring	4
11	1264/8	Pawl	4
12	15000628	Pawl Gear	1
13	15000646	Flanged Washer	2
14	15000019	Roller Bearing	1
15	B2092	Spirolox Internal Ring	1
16	15000648	Hollow Dowel	3
17	15000634	Base	1
18	B0807	Skt Hd Csk Screw M10 x 30mm Long	3
19	15000625	Ratchet Gear	1
20	15001548	Centre Stem	1
21	15000626	Pawl Gear	1
22	15000644	Drum Washer	1
23	15044121	Roller Bearing	3
24	B0325	Pan Hd Posidriv Screw M5 x 12mm Long	3
25	15000684	Washer	1
26	15000655	Shim	3

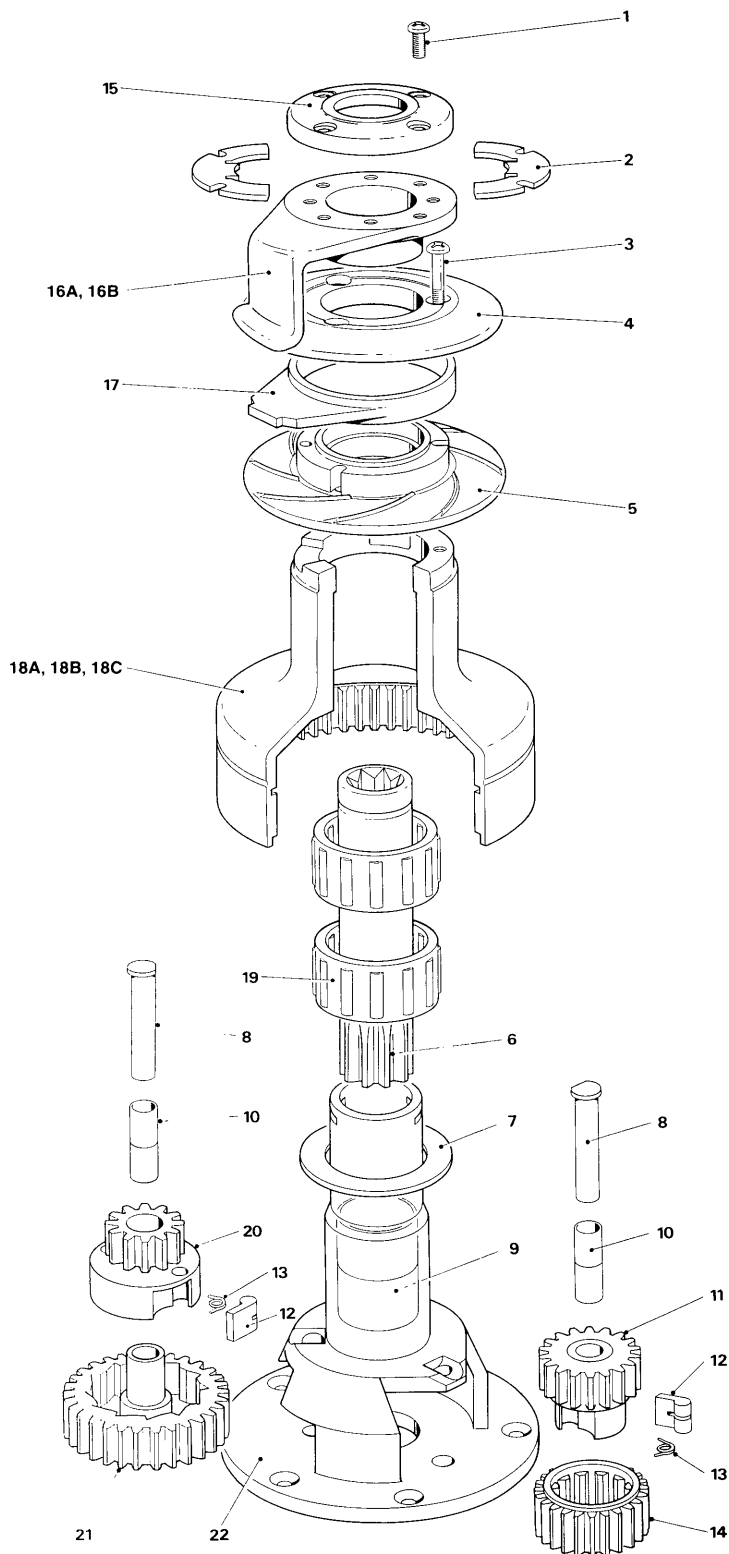
No. 16ST



No. 16 1 Speed Self Tailing Winch

Item No.	Part No.	Description	No. Off
1	B0325	Pan Hd Posidriv Screw M5 x 12mm Long	4
2	15001431	Collet	2
3	15000532	Pan Hd Posidriv Screw M5 x 30mm Long	3
4	15000456	Upper Crown	1
5	1260/8	Pawl	5
6	1260/7	Pawl Spring	5
7A	15000451	Drum - Chrome	1
7B	15000452	Drum - Alloy	1
7C	15000668	Drum - Bronze	1
8	15008007	Roller Bearing	2
9	15000466	Drum Washer	1
10	15000462	Spindle	1
11	15000377	Main Spindle Sleeve Fitted to Item 12	1
12	15001540	Centre Stem	1
13	15000460	Top Cap	1
14A	15000458	Feeder Arm - Chrome	1
14B	15000671	Feeder Arm - Bronze	1
15	15000459	Stripper Ring	1
16	15000455	Lower Crown	1
17	15000463	Gear Spindle	1
18	15000378	Gear Spindle Sleeve	1
19	15000464	Ratchet Gear	1
20	15000827	Idler Gear	1
21	15000461	Gear Retainer	1

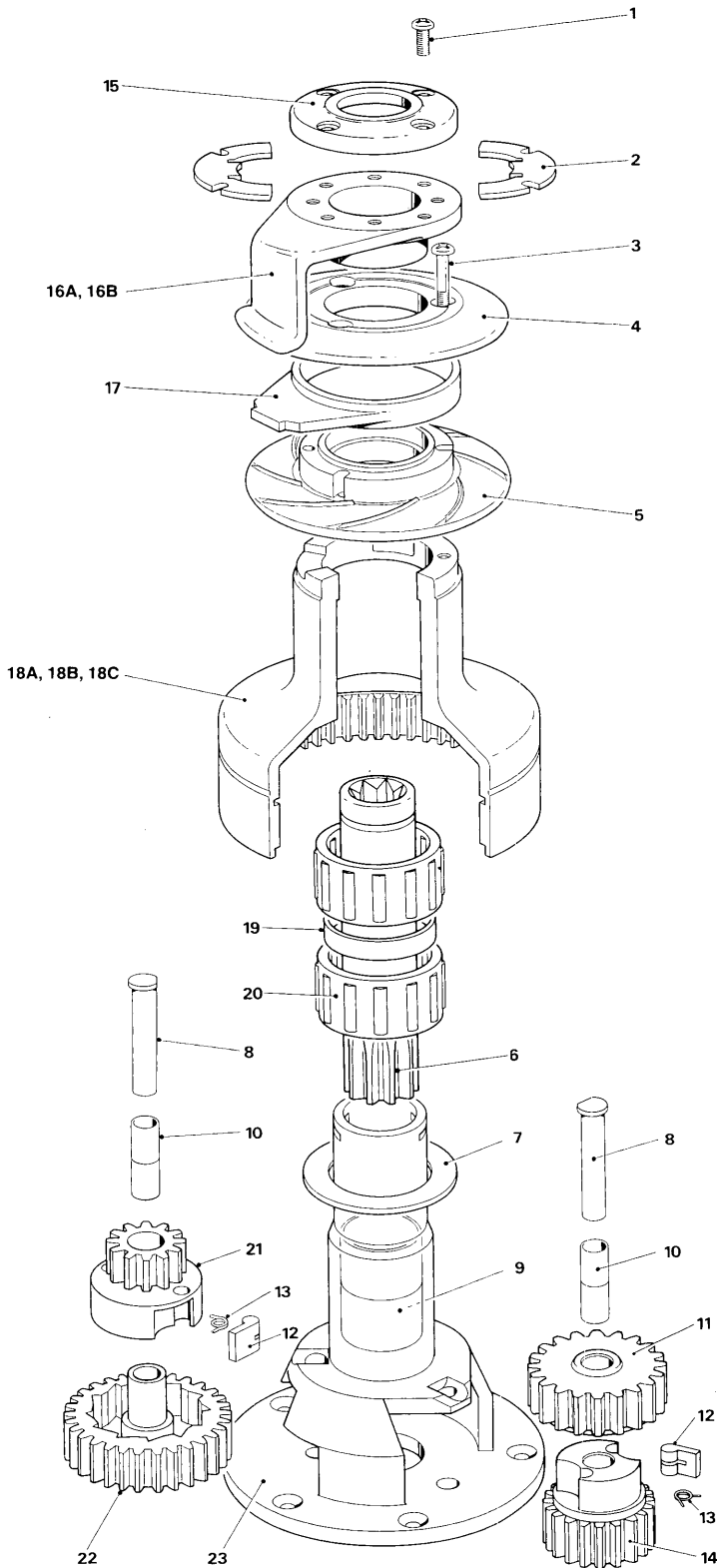
No. 30ST



No. 30 2 Speed Self Tailing Winch

Item No.	Part No.	Description	No. Off
1	B0325	Pan Hd Posidriv Screw M5 x 12mm Long	4
2	15001431	Collet	2
3	B0326	Pan Hd Posidriv Screw M5 x 30mm Long	3
4	15000372	Upper Crown	1
5	15000373	Lower Crown	1
6	15000835	Spindle	1
7	15000466	Drum Washer	1
8	15000385	Gear Spiggle	2
9	15000377	Main Spindle Sleeve Fitted to Item 22	2
10	15000378	Gear Spindle Sleeve	4
11	15000383	Pawl Gear	1
12	1260/8	Pawl	4
13	1260/7	Pawl Spring	4
14	15000381	Ratchet Gear	1
15	15000379	Top Cap	1
16A	15000371	Feeder Arm - Chrome	1
16B	15000672	Feeder Arm - Bronze	1
17	15000375	Stripper Ring	1
18A	15000384	Drum - Chrome	1
18B	15000370	Drum - Alloy	1
18C	15000669	Drum - Bronze	1
19	15008007	Roller Bearing	2
20	15000382	Pawl Gear	1
21	15000380	Ratchet Gear	1
22	15001541	Centre Stem	1

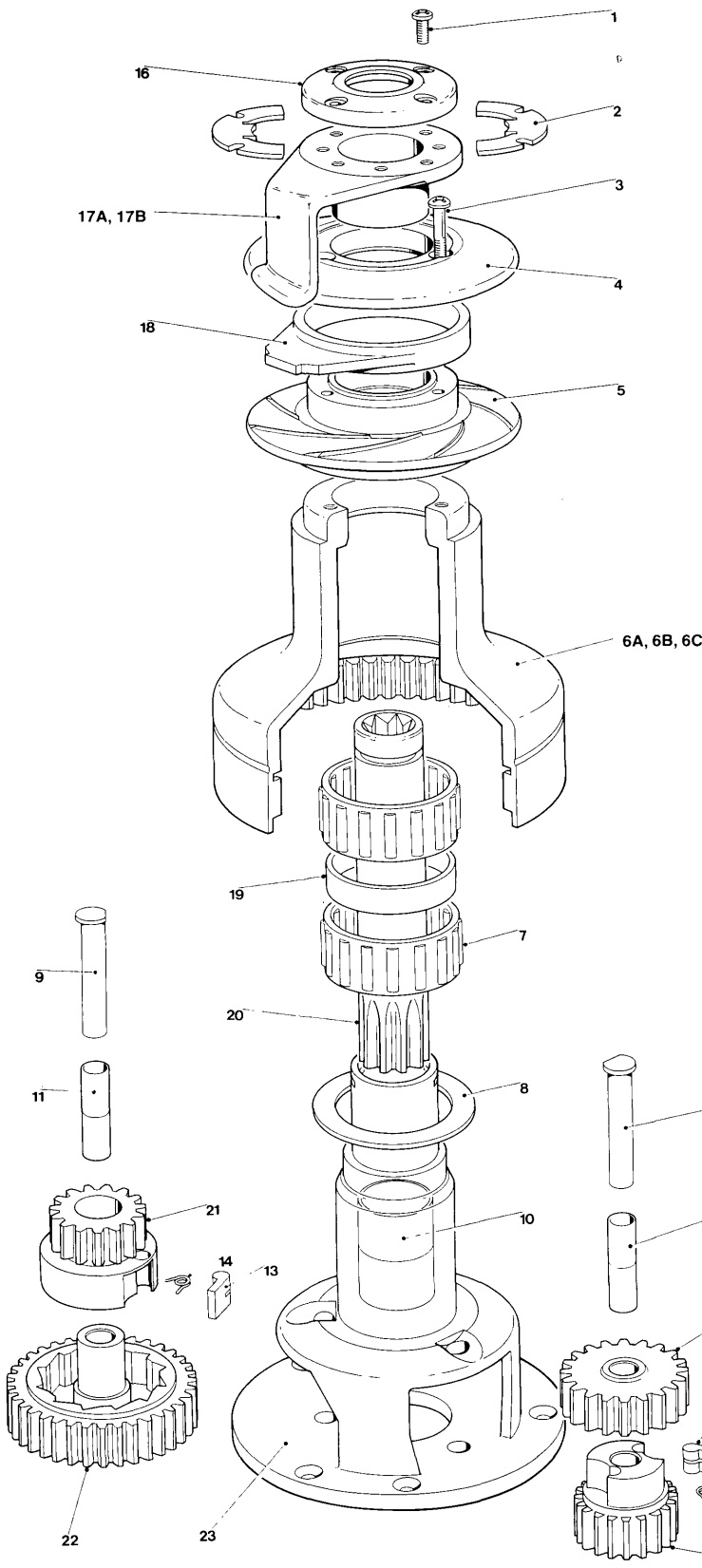
No. 40.ST



No. 40 2 Speed Self Tailing Winch

Item No.	Part No.	Description	No. Off
1	B0325	Pan Hd Posidriv Screw M5 x 12mm Long	4
2	15001431	Collet	2
3	B0326	Pan Hd Posidriv Screw M5 x 30mm Long	3
4	15000482	Upper Crown	1
5	15000373	Lower Crown	1
6	15000836	Spindle	1
7	15000466	Drum Washer	1
8	15000486	Gear Spindle	1
9	15000377	Main Spindle Sleeve Fitted Item 23	2
10	15000378	Gear Spindle Sleeve	2
11	15000489	Ratchet Gear	1
12	1260/8	Pawl	4
13	1260/8	Pawl Spring	4
14	15000490	Pawl Gear	1
15	15000379	Top Cap	1
16A	15000371	Feeder Arm - Chrome	1
16B	15000672	Feeder Arm - Bronze	1
17	15000375	Stripper Ring	1
18A	15000483	Drum - Chrome	1
18B	15000484	Drum - Alloy	1
18C	15000670	Drum - Bronze	1
19	15000491	Bearing Spacer	2
20	15008007	Roller Bearing	2
21	15000488	Pawl Gear	1
22	15000487	Ratchet Gear	1
23	15001542	Centre Stem	1
24	15000620	Gear Spindle	1
25	15000398	Gear Spindle Sleeve	2

Nos. 43/46ST



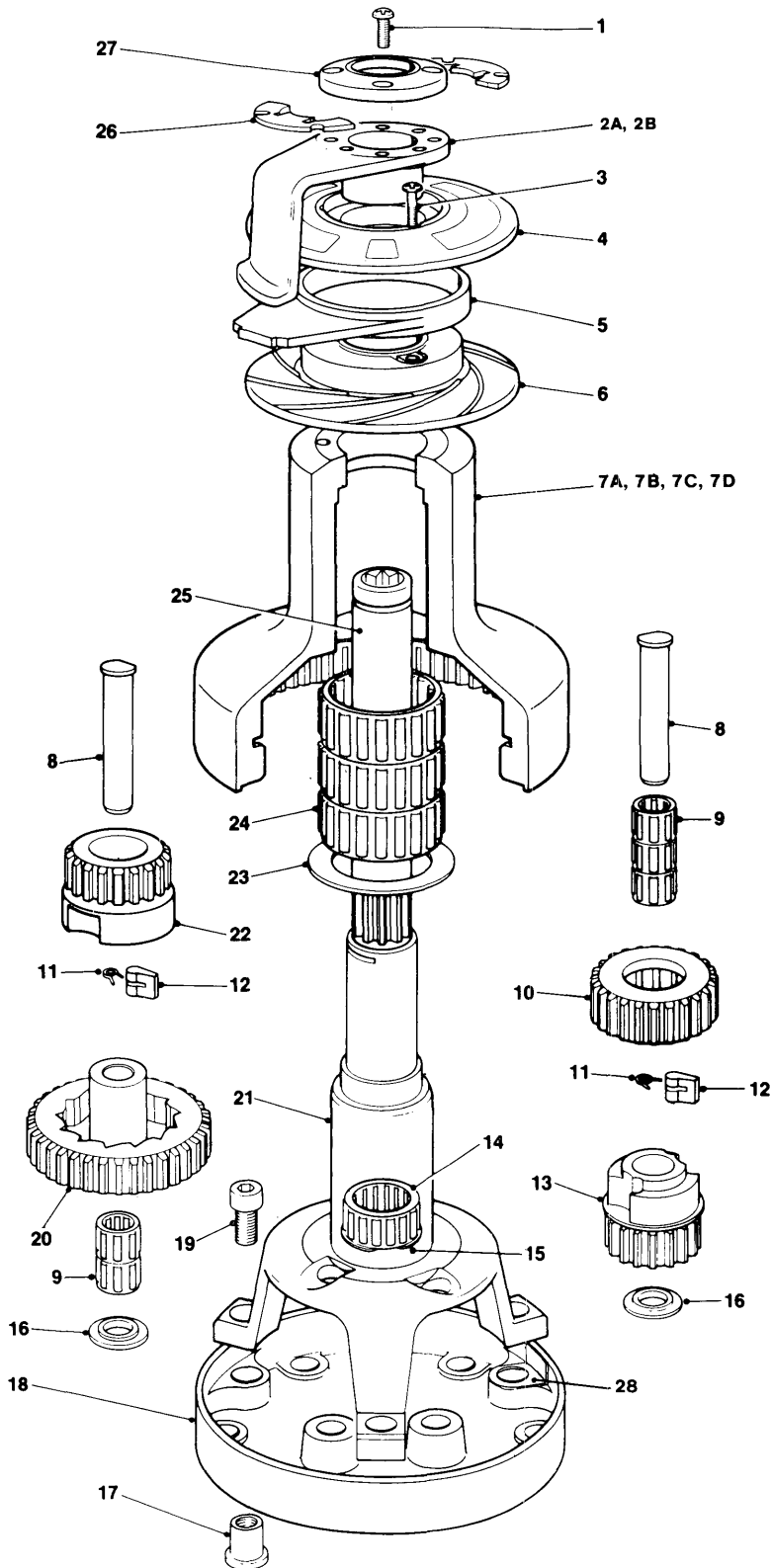
No. 43 2 Speed Self Tailing Winch

Item No.	Part No.	Description	No. Off
1	B0325	Pan Hd Posidriv Screw M5 x 12mm Long	4
2	15001431	Collet	2
3	B0327	Pan Hd Posidriv M5 x 40mm	3
4	15000414	Upper Crown	1
5	15000415	Lower Crown	1
6A	15000410	Drum - Chrome	1
6B	15000411	Drum - Alloy	1
6C	15000666	Drum - Bronze	1
7	15010007	Roller Bearing	2
8	15034638	Drum Washer	1
9	15000422	Gear Spindle	2
10	15000377	Main Spindle Sleeve Fitted with Item 23	2
11	15000398	Gear Spindle Sleeve	4
12	15000418	Ratchet Gear	1
13	1260/8	Pawl	4
14	1260/7	Spring	4
15	15000397	Pawl Gear	1
16	15000379	Top Cap	1
17A	15000412	Feeder Arm - Chrome	1
17B	15000673	Feeder Arm - Bronze	1
18	15000413	Stripper Ring	1
19	15010008	Spacer	1
20	15000837	Main Spindle	1
21	15000419	Pawl Gear	1
22	15000417	Ratchet Gear	1
23	15001543	Centre Stem	1

No. 46 2 Speed Self Tailing Winch

Item No.	Part No.	Description	No. Off
1	B0325	Pan Hd Posidriv Screw M5 x 12mm Long	4
2	15001431	Collet	2
3	B0327	Pan Hd Posidriv M5 x 40mm	3
4	15000403	Upper Crown	1
5	15000402	Lower Crown	1
6A	15000391	Drum - Chrome	1
6B	15000392	Drum - Alloy	1
6C	15000667	Drum - Bronze	1
7	15044121	Roller Bearing	2
8	15044116	Drum Washer	1
9	15000394	Gear Spindle	2
10	15000377	Main Spindle Sleeve Fitted with Item 23	2
11	15000398	Gear Spindle Sleeve	4
12	15000396	Ratchet Gear	1
13	1260/8	Pawl	4
14	1260/7	Pawl Spring	4
15	15000397	Pawl Gear	1
16	15000379	Top Cap	1
17A	15000389	Feeder Arm - Chrome	1
17B	15000674	Feeder Arm - Bronze	1
18	15000390	Stripper Ring	1
19	15000404	Spacer	1
20	15000838	Main Spindle	1
21	15000393	Pawl Gear	1
22	15000395	Ratchet Gear	1
23	15001545	Centre Stem	1

No. 52/56ST



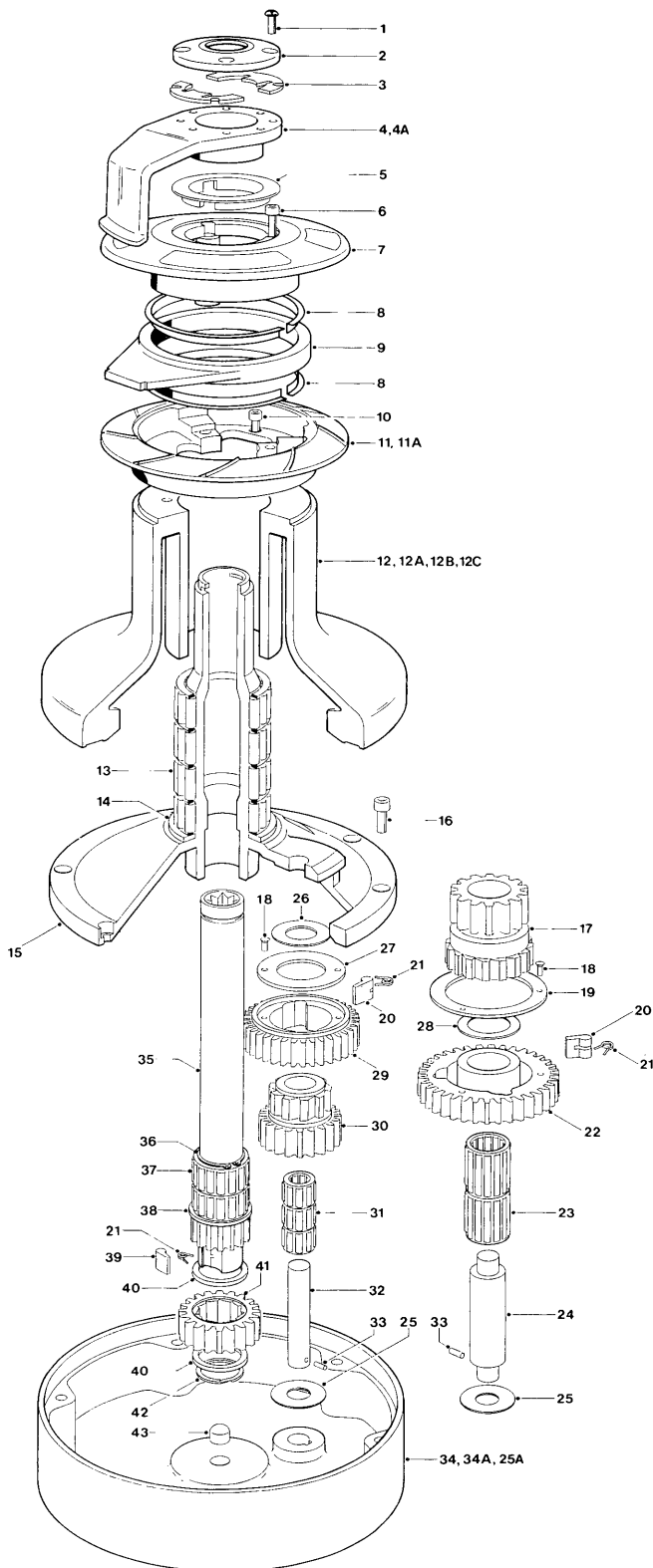
No. 52 2 Speed Self Tailing Winch

Item No.	Part No.	Description	No. Off
1	B0325	Pan Hd Posidriv Screw M5 x 12mm Long	4
2A	15000637	Feeder Arm - Chrome	1
2B	15001028	Feeder Arm - Bronze	1
3	B0327	Pan Hd Posidriv Screw M5 x 40mm Long	3
4	15000635	Upper Crown	1
5	15000638	Stripper Ring	1
6	15000636	Lower Crown	1
7A	15000633	Drum - Alloy	1
7B	18000095	Drum - Stainless Steel	1
7C	15000653	Drum - Chrome	1
7D	15000654	Drum - Bronze	1
8	15000645	Gear Spindle	2
9	15000627	Roller Bearing	5
10	15000627	Ratchet Gear	1
11	1260/7	Pawl Spring	4
12	1264/8	Pawl	4
13	15000628	Pawl Gear	1
14	15000019	Roller Bearing	1
15	B2092	Spirolox Internal Ring	1
16	15000646	Flanged Washer	2
17	15000648	Hollow Dowel	3
18	15000634	Base	1
19	B0807	Skt Hd Csk Screw M10 x 30mm Long	3
20	15000625	Ratchet Gear	1
21	15001547	Centre Stem	1
22	15000626	Pawl Gear	1
23	15000644	Drum Washer	1
24	15044121	Roller Bearing	3
25	15000839	Main Spindle	1
26	15001431	Collet	2
27	15000379	Top Cap	1
28	15000655	Shim	3

No. 56 2 Speed Self Tailing Winch

Item No.	Part No.	Description	No. Off
1	B0325	Pan Hd Posidriv Screw M5 x 12mm Long	4
2A	15001099	Stripper Arm - Chrome	1
2B	15001095	Stripper Arm - Bronze	1
3	B0339	Pan Hd Posidriv Screw M5 x 40mm Long	3
4	15001097	Upper Crown	1
5	15001098	Stripper Ring	1
6	15001096	Lower Crown	1
7A	15001103	Drum - Alloy	1
7B	18001102	Drum - Chrome	1
7C	15001110	Drum - Bronze	1
8	15000645	Gear Spindle	2
9	15000017	Roller Bearing	5
10	15001107	Ratchet Gear	1
11	1260/7	Pawl Spring	4
12	1264/8	Pawl	4
13	15001108	Pawl Gear	1
14	15000019	Roller Bearing	1
15	B2092	Spirolox Internal Ring	1
16	15000646	Flanged Washer	2
17	15000648	Hollow Dowel	3
18	15001101	Base	1
19	B0807	Skt Hd Csk Screw M10 x 30mm Long	3
20	15001105	Ratchet Gear	1
21	15001549	Centre Stem	1
22	15001106	Pawl Gear	1
23	15000644	Drum Washer	1
24	15044121	Roller Bearing	3
25	15001109	Spindle	1
26	15001431	Collet	2
27	15000379	Top Cap	1
28	15000655	Shim	3

No. 66ST



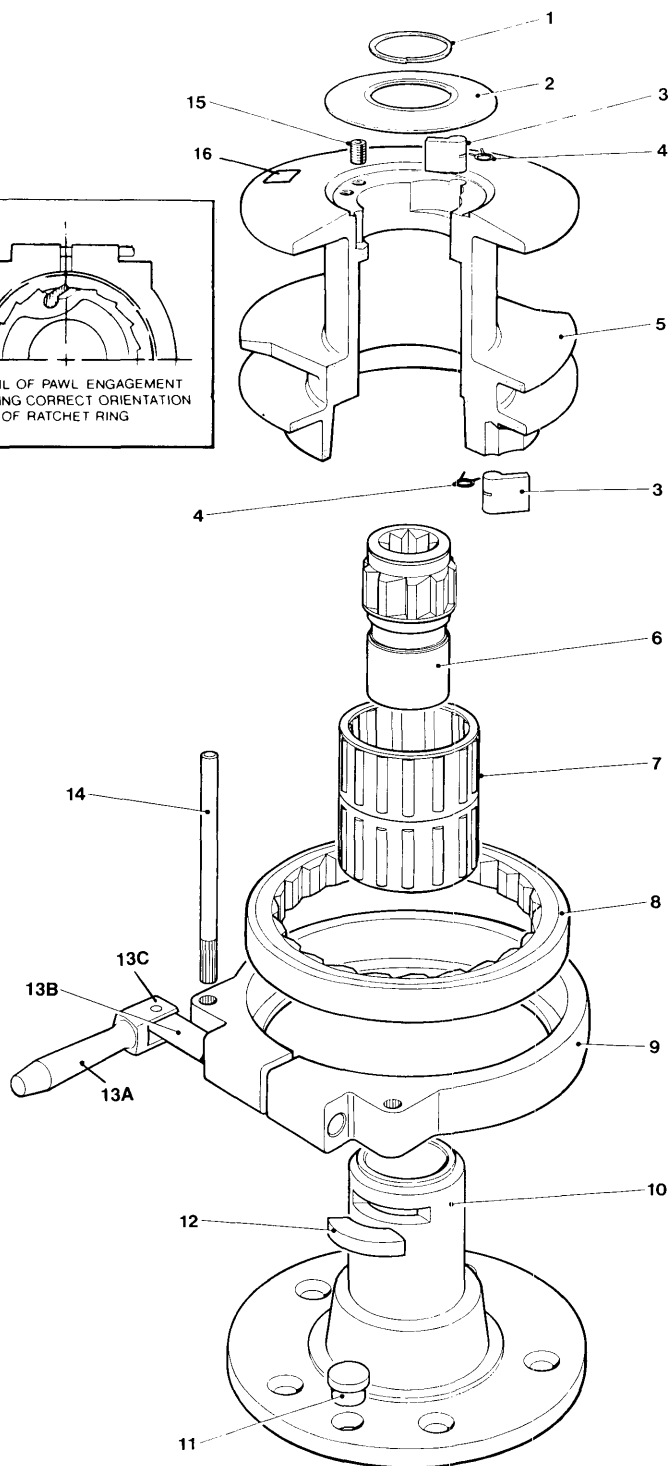
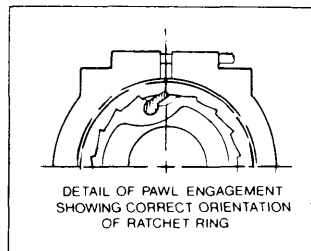
No. 66 2 Speed Self Tailing Winch

Item No.	Part No.	Description	No. Off
1	B0325	Pan Hd Posidriv Screw M5 x 12mm Long	4
2	15001582	Top Cap	1
3	15001431	Split Collet	2
4	15001583	Stripper Arm Chrome	1
4A	15003017	Stripper Arm Bronze	1
5	15044627	Flanged Bush	1
6	B0684	Skt Hd Cap Screw M6 x 45mm long	3
7	15001590	Upper Crown Plate	1
8	15065641	Stripper Ring Insert	2
9	15065649	Stripper Ring	1
10	B0679	Skt Hd Cap Screw M6 x 16mm long	3
11	15001588	Lower Crown Plate	1
11A	B2419	Heli Coil Insert	3
12	15001589	Drum - Chrome	1
12A	15001584	Drum - Alloy	1
12B	18000160	Drum - Stainless Steel	1
12C	15003018	Drum - Bronze	1
13	15044121	Roller Bearing	4
14	15000287	Drum Washer	1
15	15001563	Centre Stem	1
16	B0691	Skt Hd Cap Screw M10 x 20mm long	6
17	15000243	Ratchet Gear	1
18	B0543	Csk Hd Screw M5 x 12mm long	5
19	15001316	Retaining Plate	1
20	1264/8	Pawl	5
21	1260/7	Pawl Spring	7
22	15000244	Pawl Gear	1
23	15000018	Roller Bearing	2
24	15000239	Gear Spindle	1
25	15000247	Washer	2
25A	B2524	Heli-Coil Insert Fitted with item 34	6
26	15000719	Washer	1
27	15000023	Retaining Plate	1
28	15000246	Washer	1
29	15001586	Pawl Gear	1
30	15001585	Ratchet Gear	1
31	15000017	Roller Bearing	3
32	15001587	Gear Spindle	1
33	B1501	Spirol Pin	2
34	15001562	Base Alloy	1
34A	15001092	Bush	2
35	15001581	Main Spindle	1
36	B2086	Circlip	1
37	15000019	Roller Bearing	2
38	15000024	Washer	1
39	1260/8	Pawl	2
40	15000303	Spacer	2
41	15000242	Ratchet Gear	1
42	B2075	Circlip	1
43	15000723	Buffer	1

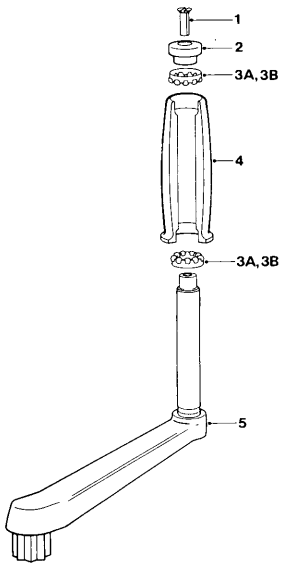
No. 1

No. 1 Halliard Winch

Item No.	Part No.	Description	No. Off
1	B2075	Circlip	1
2	18000047	Top Cap	1
3	1260/8	Pawl	4
4	1260/7	Pawl Spring	4
5	15001022	Drum	1
6	15008003	Spindle	1
7	15008007	Roller Bearing	2
8	15001024	Ratchet Ring	1
9	15001025	Brake Strap	1
10	15001021	Centre Stem	1
11	15001008	Locating Pin	1
12	15008005	Key	1
13A	15001010	Brake Lever	1
13B	15001011	Brake Screw	1
13C	15001009	Handle Rivet	1
14	15001006	Guard Rod	2
15	B0901	Grub Screw	2
16	B1992	Halliard Plate	1



Nos. 1010/1120



8" Alloy Plain Handle Cat No 1010 10" Chrome Plain Handle Cat No 1120

Item No	Cat No 1010 Part No	Cat No 1120 Part No	Description	Quantity
1	B1155	B1155	Csk Hd Posidriv Screw No 10 x 45mm Long	1
2	15100005	15100005	Spindle Cap	1
3A	B1653	B1653	3/16" S/S Bal	1
3B	15100004	15100004	Ball Bearing Cage	2
4	15100006	15100006	Handle Turn	1
5	18100011	18100004	Handle Sub Assembly	1

8" Alloy Lock In Handle Cat No 1011 10" Chrome Lock In Handle Cat No 1121

Item No	Cat No 1011 Part No	Cat No 1121 Part No	Description	Quantity
1	B1155	B1155	Csk Hd Posidriv Screw No 10 x 45 mm Long	1
2	15100005	15100005	Spindle Cap	1
3A	B1653	B1653	3/16" Ball	18
3B	15100004	15100004	Ball Bearing Cage	2
4	15100006	15100006	Handle Turn	1
5	18100012	18100005	Handle Sub Assembly	1
6	B1505	B1505	Spirol Pin	1
7A	15900022	15900022	Lock Lever	1
7B	18100007	18100007	Lock Lever Sub Assembly	1
8	15100013	15100013	Lock Spring	1
9	15100030	15100019	Sleeve	1
10A	18100010	18100001	Lock In Sub Assembly	1
10B	15100012	15100012	Lock In Plate	1
10C	15100011	15100011	Lock In Spindle	1

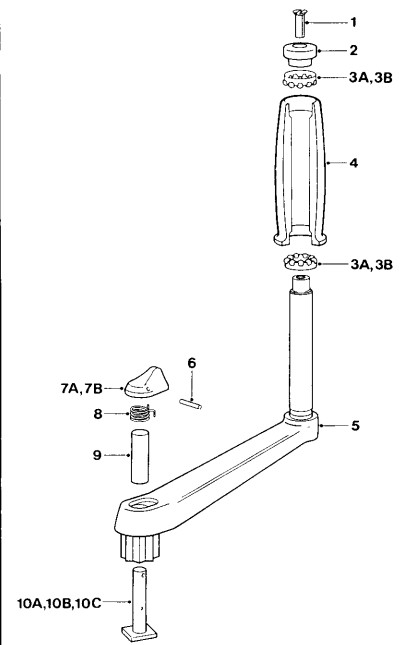
10" Chrome Double Grip Lock In Cat No 1122

Item No	Part No	Description	Quantity
1	B1155	Csk Hd Possidriv Screw No 10 x 45mm Long	1
2	15100005	Spindle Cap	1
3A	15100004	Ball Bearing Cage	18
3B	B1653	3/6" S/S Ball	2
4	15100006	Handle Turn	2
5	15100016	Bush	1
6A	15100023	Handle Arm	1
6B	15100015	Handle Spindle	1
7	B1505	Spirol Pin	1
8A	15900022	Lock Lever	1
8B	18100007	Lock Lever Sub assembly	1
9	15100013	Lock Spring	1
10	15100019	Sleeve	1
11A	18100001	Lock In Sub Assembly	1
11B	15100012	Lock In Plate	1
11C	15100011	Lock In Spindle	1

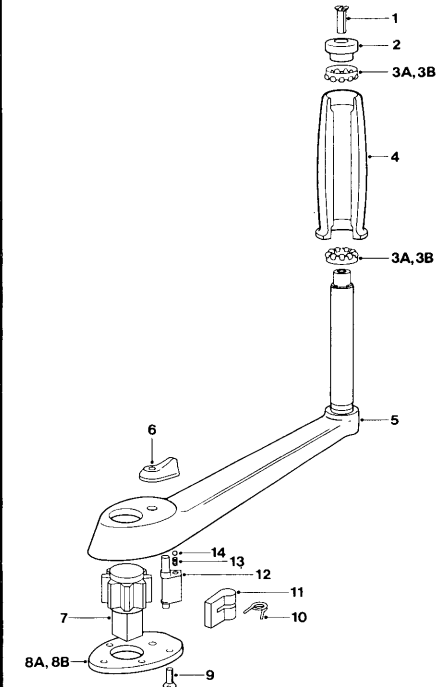
10" Chrome Double Grip Lock In Cat No 1122

Item No	Part No	Description	Quantity
1	B1155	Csk Hd Possidriv Screw No 10 x 45mm Long	1
2	15100005	Spindle Cap	1
3A	15100004	Ball Bearing Cage	2
3B	B1653	3/6" S/S Ball	18
4	15100006	Handle Turn	1
5	18100016	Handle Sub Assembly	1
6	15137202	Change Lever	1
7	1370/4	S/S Spindle	1
8A	1249/2	Retaining Plate	1
8B	1249/10	Stud	1
9	B0502	Csk Hd Screw 2BA x 1/2" Long	5
10	1249/7	Pawl Spring	2
11	1249/5	Pawl	2
12	1249/6	Change	1
13	15137204	Spring	1
14	B1650	5/32" S/S Ball	1

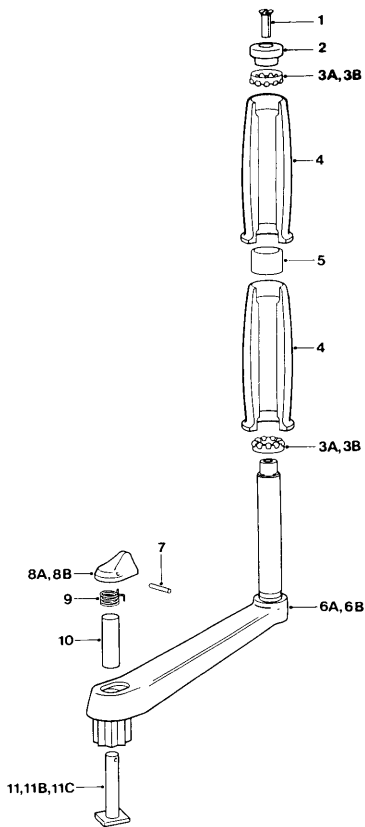
Nos. 1011/1121



No. 1370



No. 1120





Some of the range of catalogues available, which include Service Manuals and The Useful Winch "How To" Booklet.

If you would like to receive your copy direct or more information on other Lewmar products contact your nearest Lewmar distributor.

- Anchor Windlass
- Winches
- Deck Hardware, Hatches, Portlights
- Navtec Hydraulics and Rod Rigging
- Commander Push Button Sailing
- Service Manual Vol. 6
- Service Manual Vol. 6 Specials
- "How To" Booklet

LEWMAR WORLDWIDE SERVICES

Full service care, spare parts and assistance are available from Lewmar offices and distributors worldwide. In case of any difficulty with your Lewmar winches contact your nearest Lewmar office.

HEAD OFFICE:

LEWMAR MARINE LIMITED
Southmoor Lane, Havant
Hampshire PO6 1JJ, England
tel: Havant (0705) 471841-3
tlx: 86342 LEWMAR G
fax: 0705-476043

SUBSIDIARY OFFICES:

Lewmar Sud Europe SARL

Avenue Marillac
La Ville En Bois
17000 La Rochelle, France
tel: (+33) 46 50 50 46
tlx: 792202 YACHTEQ F
fax: (+33) 46 50 59 04

Lewmar Mid-Europe B.V.

Branderweg 19
8042 PD Zwolle, Benelux, Holland
tel: (38) 214668
tlx: 42298 LEWMA NL
fax: (38) 215642

Lewmar Sud Europe Cannes

284 Avenue Michel Jourdan
06150 Cannes La Bocca
France
tel: 93 90 24 59/60
tlx: 470824
fax: 93 90 24 61

Lewmar Marine Inc

PO Box 308
New Whitfield Street
Milford, Connecticut 06437
USA
tel: (203) 458 6200
fax: (203) 453 5669

Lewmar Marine Inc.

946 Calle Amanecer, Unit P.
San Clemente, CA 92672 USA
tel: (714) 361-6880/6881/6882
fax: (714) 361-6802

Lewmar Marin AB

Argongatan 8
S-431 33 Molndal
Sweden
tel: (+46) 031 277130
fax: (+46) 031 273116
tlx: 27233 LEWMAR S

Lewmar Marine Limited

PO Box 61019
Maple Grove Postal Stn, Oakville
Ontario L6J 7P5, Canada
tel: (416) 842 9828
fax: (416) 842 9950

LEWMAR LIMITED WARRANTY

1. **WARRANTY** Lewmar warrants its products, in normal usage, to be free of defects in materials and workmanship for a period of one year from original purchase by the user, subject to the conditions and limitations below. Any part which proves to be defective in normal usage during that one year period will be repaired or replaced by Lewmar.

This warranty is subject to the following conditions and limitations:

- A Lewmar's liability shall be limited to repair or replacement of goods or parts defective in materials or workmanship.
 - B Determination of the suitability of the materials for the use contemplated by the buyer is the sole responsibility of the buyer, and Lewmar shall have no responsibility in connection with such suitability.
 - C Lewmar shall not be liable for any harm resulting from:
 1. failures due to use of products in applications for which they are not intended.
 2. failures due to corrosion, wear and tear, or improper installation.
 - D Lewmar shall not be responsible for shipping charges or installation labour associated with any warranty claims.
 - E Service by anyone other than Authorised Lewmar Representatives shall void this warranty unless it accords with Lewmar guidelines and standards of workmanship.
2. **THERE ARE NO WARRANTIES OF MERCHANTABILITY, FITNESS FOR PURPOSE OR ANY OTHER KIND, EXPRESS OR IMPLIED, AND NONE SHALL BE IMPLIED BY LAW.**

The duration of any such warranties that are nonetheless implied by law for the benefit of a consumer shall be limited to a period of one year from original purchase by the user. Some countries do not allow limitations on how long an implied warranty lasts, so the above limitations may not apply to you.

3. **LEWMAR SHALL NOT BE LIABLE FOR CONSEQUENTIAL DAMAGES TO YACHTS, EQUIPMENT OR OTHER PROPERTY, OR PERSONS DUE TO ANY FAILURE OF LEWMAR EQUIPMENT.**

Some countries do not allow the exclusion or limitation of incidental or consequential damages, so the above limitations or exclusion may not apply to you.

4. **THIS WARRANTY GIVES YOU SPECIFIC LEGAL RIGHTS, AND YOU MAY ALSO HAVE OTHER LEGAL RIGHTS WHICH VARY FROM COUNTRY TO COUNTRY.**

As improvements in design are being made continually the specifications given are subject to alteration without notice.



LEWMAR
